

C3216X6S1H225K160AB

TDK Item Description : C3216X6S1H225KT****

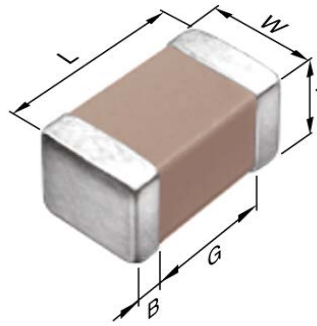


Application & Main Feature

Commercial Grade (General (Up to 50V))

Series

C3216 [EIA 1206]



Dimensions

| | |
|---|-----------------|
| L | 3.20mm +/-0.2mm |
| W | 1.60mm +/-0.2mm |
| T | 1.60mm +/-0.2mm |
| B | 0.20mm Min. |
| G | 1.00mm Min. |

Temperature Characteristic

X6S (-55 to 105 degC +/-22%)

Rated Voltage

1H (50Vdc)

Capacitance

2.2uF

Capacitance Tolerance

K (+/-10%)

Dissipation Factor

5% Max.

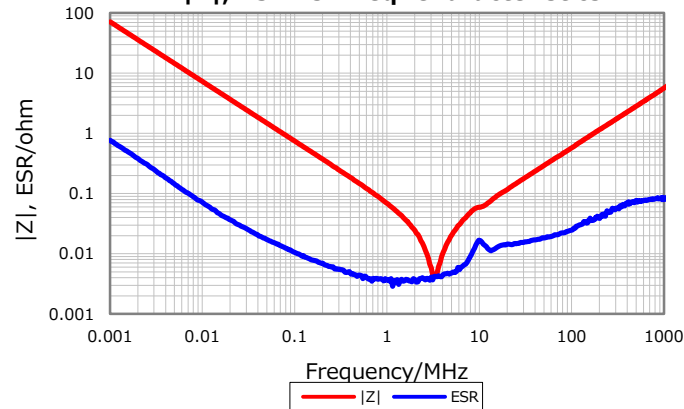
Insulation Resistance

227Mohm Min.

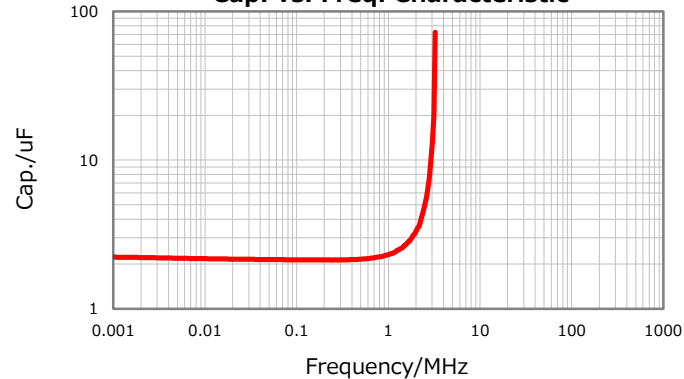
AEC-Q200

Not Applicable

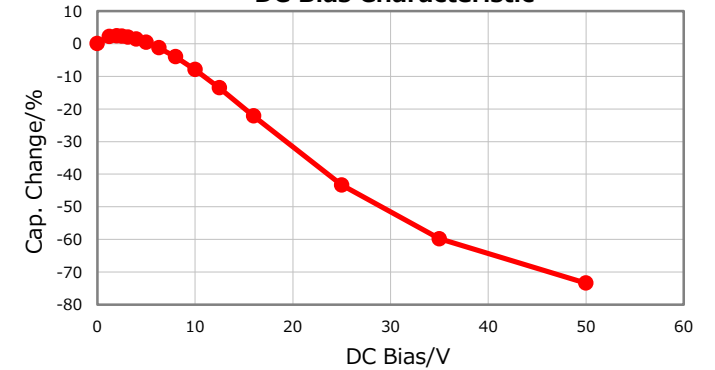
|Z|, ESR vs. Freq. Characteristics



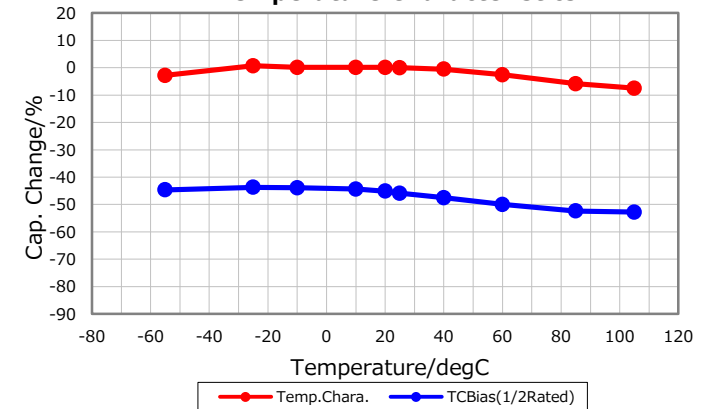
Cap. vs. Freq. Characteristic



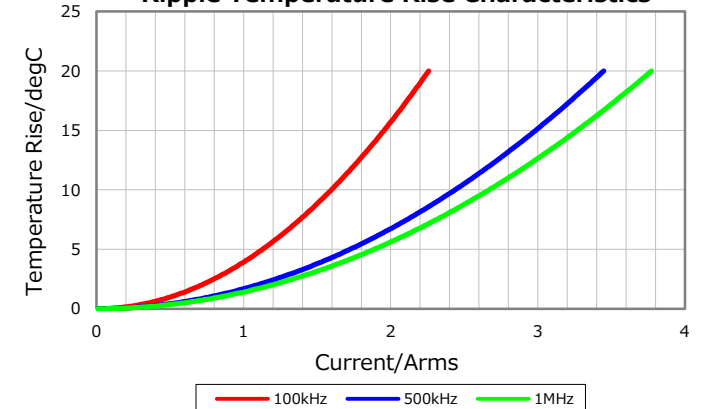
DC Bias Characteristic



Temperature Characteristics



Ripple Temperature Rise Characteristics



Characterization Sheet (Multilayer Ceramic Chip Capacitors)



All specifications are subject to change without notice.

June 29, 2017