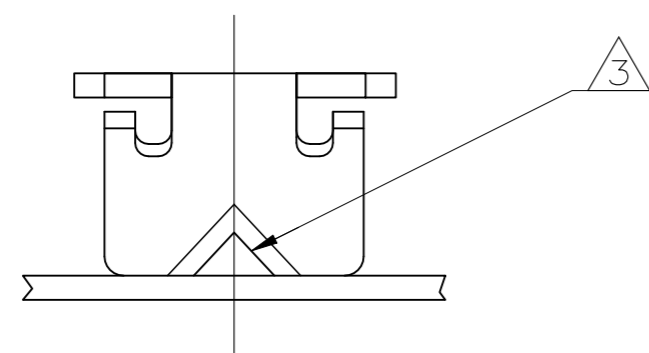


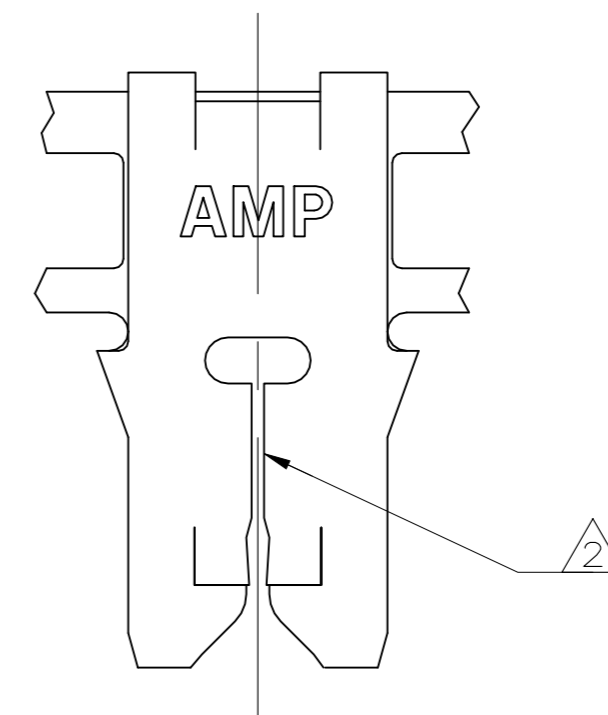
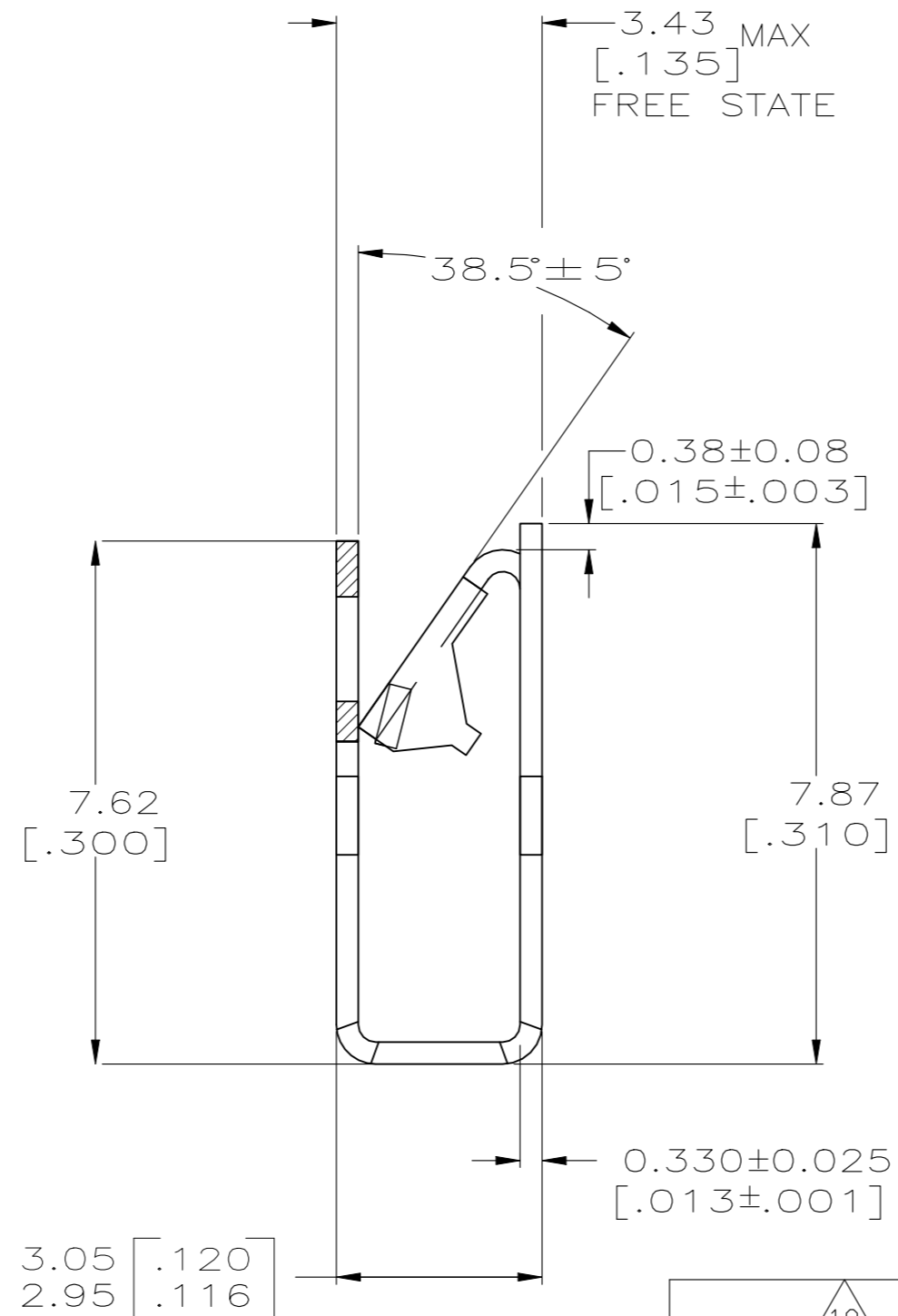
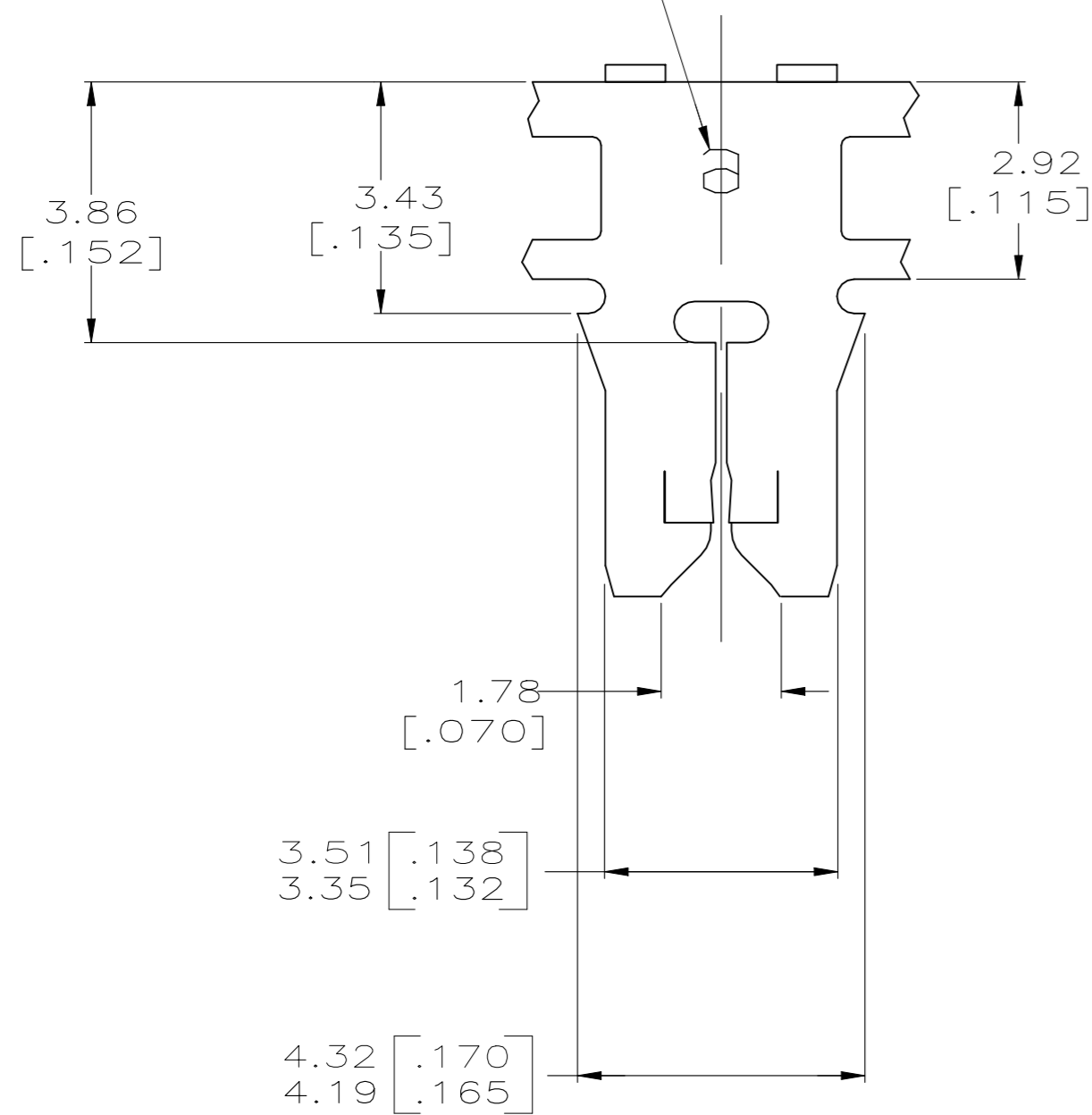
THIS DRAWING IS UNPUBLISHED. RELEASED FOR PUBLICATION  
 © COPYRIGHT - TE CONNECTIVITY ALL RIGHTS RESERVED.

REVISIONS				
P	LTR	DESCRIPTION	DATE	APVD
AG14		REVISED PER ECR-21-119547	05NOV2021	JJ CH

- 1 CONTINUOUS STRIP ON REELS WITH TERMINALS LOCATED ON 5.59±0.08 [.220±.003] CENTERS.
- 2 SLOT TERMINATES EITHER A SINGLE OR DOUBLE MAGNET WIRE OF THE SAME SIZE AND TYPE. COPPER RANGE: 0.25-0.36mm [#30-#27] AWG. ALUMINUM RANGE: 0.32-0.45mm [#28-#25] AWG. ALUMINUM WIRE RANGE IS APPLICABLE FOR POST TIN PLATED PART NUMBERS ONLY
- 3 POKE-IN ACCEPTS A 0.5-0.9mm<sup>2</sup> [#20-#18] AWG SOLID OR FUSED STRANDED LEAD WIRE.
- 4 SPECIAL REEL QUANTITY - SPAIN PRODUCTION ONLY.
- 5 PRELIMINARY - NOT FOR PRODUCTION.
- 6 NOTE DELETED
- 7 PAPER SPLICED - RESTRICTED FOR BSH-GERMANY
- 8 RETURNABLE PLASTIC REELING FOR SUPPLY WITHIN BRAZIL ONLY
- 9 PAPER SPLICED

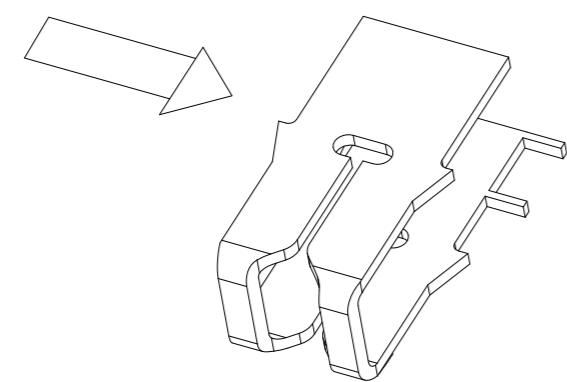


IDENTIFICATION NUMBER 6 FOR MAGNET WIRE RANGE



OBSOLETE

REELING DIRECTION	REELING	FINISH	MATERIAL	PART NUMBER
10	WITH PAPER	TIN PLATE	BRASS	91-62429-2
STANDARD	PLASTIC REEL W/ PAPER	TIN PLATE	BRASS	81-62429-0
STANDARD	WITH PAPER	TIN PLATE	BRASS	7 62429-9
<del>STANDARD</del>	<del>WITH PAPER</del>	<del>TIN PLATE</del>	<del>PHOS BRONZE</del>	<del>5 62429-7</del>
REVERSE	WITH PAPER	TIN PLATE	BRASS	62429-6
STANDARD	WITH PAPER 4	TIN PLATE	BRASS	62429-5 4
STANDARD	PLASTIC REEL W/PAPER	UNPLATED	BRASS	62429-4
STANDARD	WITHOUT PAPER	TIN PLATE	BRASS	62429-2
STANDARD	WITH PAPER	TIN PLATE	BRASS	62429-1



DIRECTION OFF TOP OF THE REEL 10

THIS DRAWING IS A CONTROLLED DOCUMENT.

DWN	03OCT1995	MICHAEL S. FEHER
CHK	16OCT1995	RICHARD GRZYBOWSKI
APVD	16OCT1995	NELSON E. NEFF

TE Connectivity

TERMINAL, POKE-IN, 300 SERIES MAG-MATE™

SIZE	CAGE CODE	DRAWING NO	RESTRICTED TO
A2	00779	C-62429	-

CUSTOMER DRAWING SCALE 10:1 SHEET 1 OF 1 REV AG14