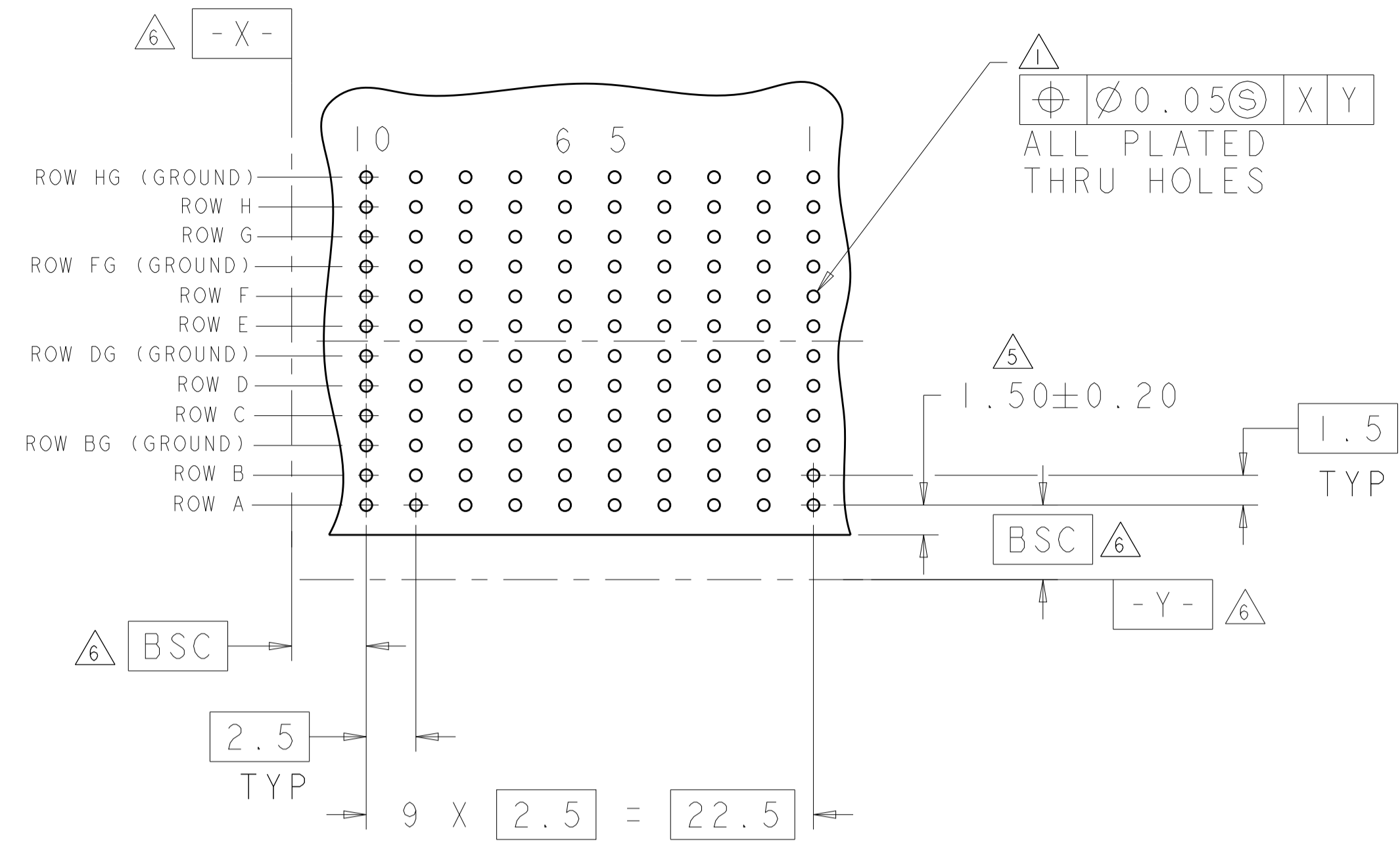
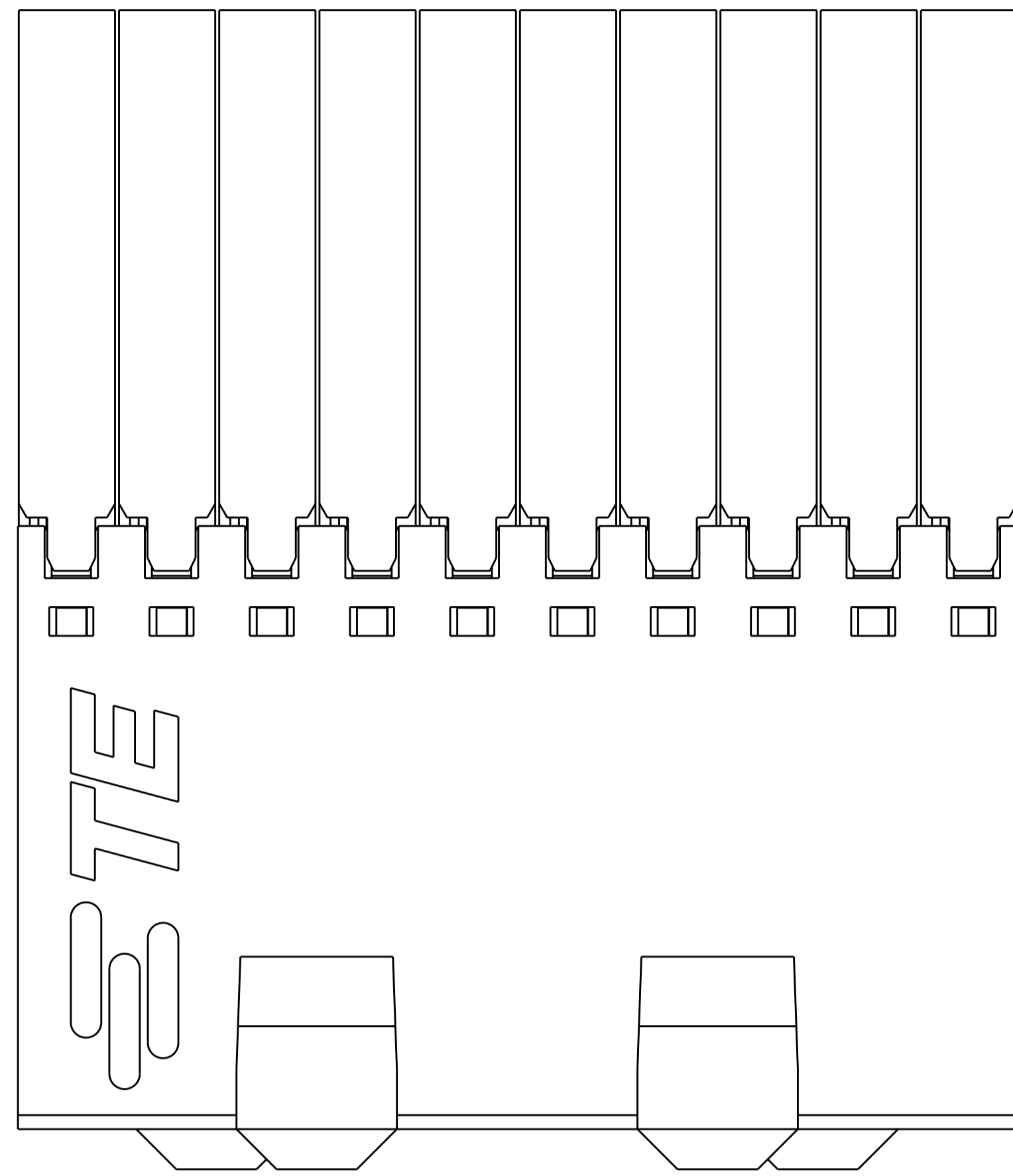
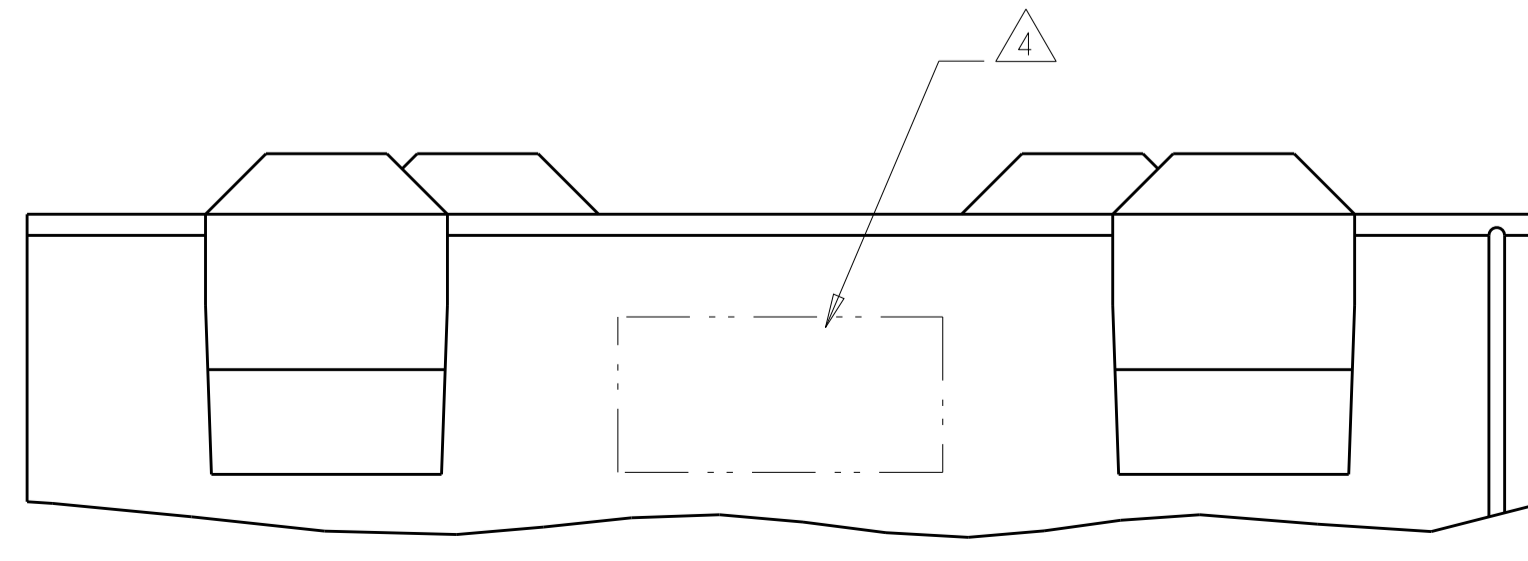
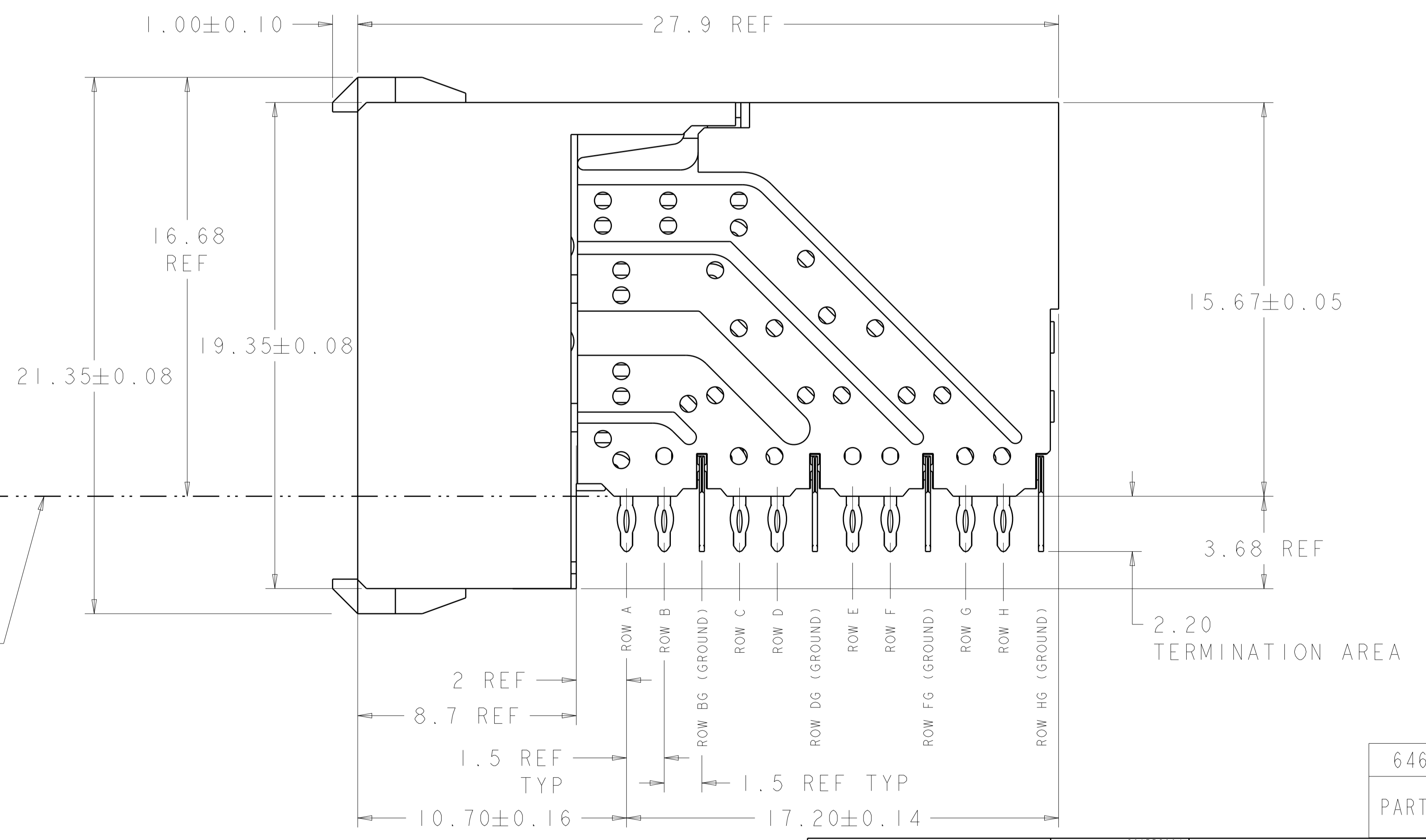
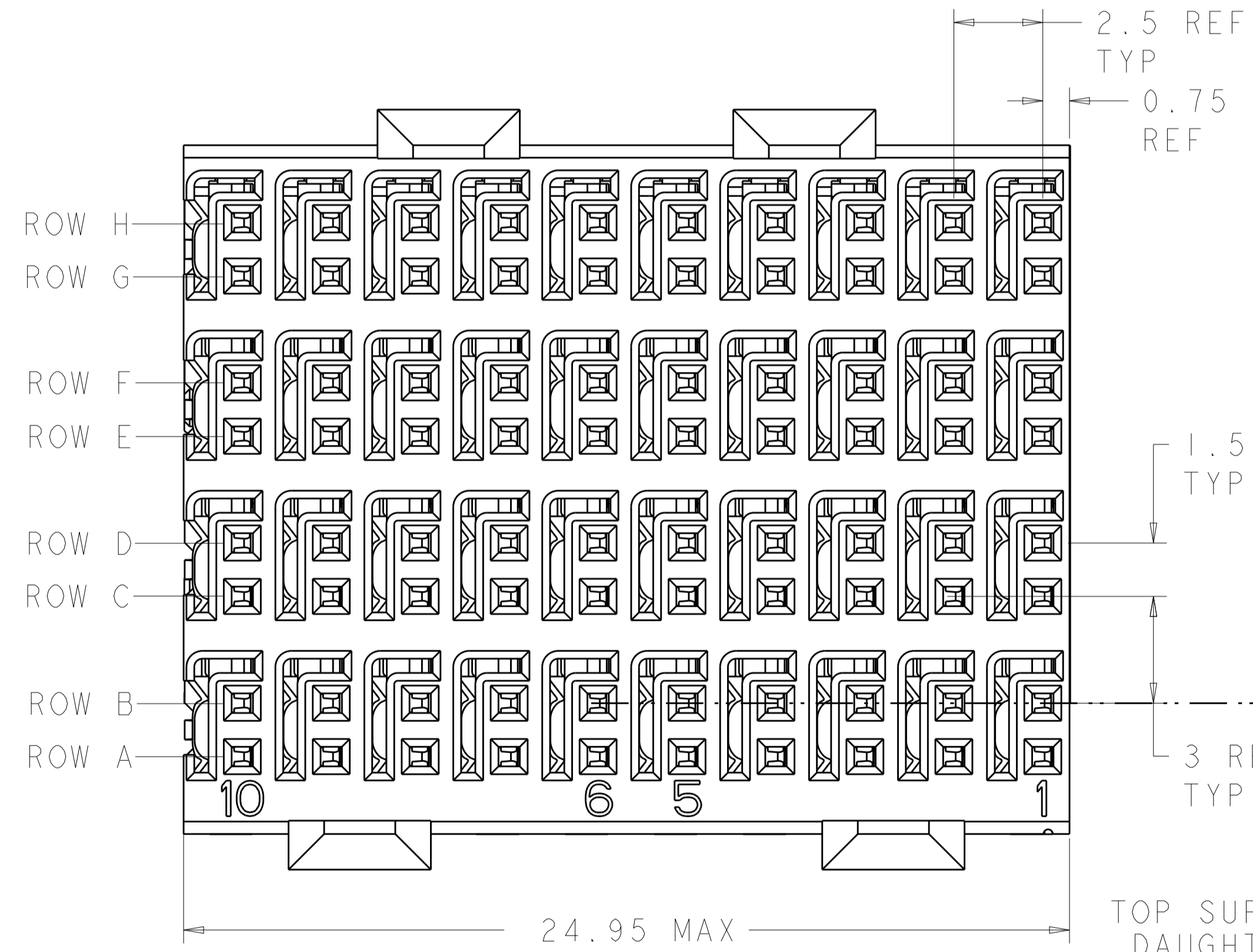


REVISIONS				
P.	LTN.	DESCRIPTION	DATE	APVD.
F		REVISED PER ECO-17-013036	13SEP2017	AP RP
G		REVISED PER ECO-18-002354	03MAR2018	AP RP
H		REVISED PER ECO-18-006922	08MAY2018	AP RP



- 1. REFERENCE APPLICATION SPEC 114-13059 FOR RECOMMENDED PLATED THRU HOLE DIAMETER AND PLATING THICKNESSES.
- 2. MATERIAL:
 SHIELD - PHOSPHOR BRONZE
 CONTACT - COPPER-NICKEL-SILICON
 HOUSING, CHICKLET AND CHICKLET COVER - GLASS FILLED POLYESTER, UL 94V-0 RATED.
- 3. FINISH: SIGNAL AND GROUND CONTACTS:
 MATING AREA: MEETS THE PERFORMANCE REQUIREMENTS OF PRODUCT SPECIFICATION 108-2055; BASED ON TELCORDIA GR-1217-CORE, APPLICATIONS IN UNCONTROLLED ENVIRONMENTS
 COMPLIANT PIN AREA: 0.5µm MIN MATTE TIN OVER BASE PLATING
- 4. CONNECTOR MARKED WITH PART NUMBER AND DATE CODE IN APPROXIMATE AREA SHOWN
- 5. DIMENSION APPLIES TO CENTERLINE OF THRU HOLE.
- 6. DATUMS AND BASIC DIMENSIONS ESTABLISHED BY CUSTOMER.
- 7. CONTACT AREA LUBRICATED WITH BELLCORE APPROVED LUBRICANT. TECHNICAL REFERENCE: GR-1217-CORE, ISSUE 1, NOVEMBER 1995.

RECOMMENDED PC BOARD LAYOUT, DAUGHTER BOARD, COMPONENT SIDE SHOWN
 SCALE 4:1



6469001-1
 PART NUMBER

THIS DRAWING IS A CONTROLLED DOCUMENT.		OWN: S. J. MAGARO 26APR2004	TE Connectivity
DIMENSIONS: mm		CHK: R. A. PATTERSON 26APR2004	
TOLERANCES UNLESS OTHERWISE SPECIFIED:		APVD: R. A. PATTERSON 26APR2004	NAME: RECEPTACLE ASSEMBLY, 4 PAIR, HMZd PRODUCT SPEC: - APPLICATION SPEC: -
0 PLC #+ 1 PLC #+ 2 PLC #+ 3 PLC #+ 4 PLC #+ ANGLES #+		SIZE: A100779 CAGE CODE: C=6469001 DRAWING NO: -	
MATERIAL: 2		FINISH: 3	WEIGHT: - CUSTOMER DRAWING: -
SCALE: 8:1			SHEET: 1 OF 1 REV: H