

ETC1.5-4TR

RF 1.5:1 Step-down Auto-Transformer
5MHz - 1000MHz

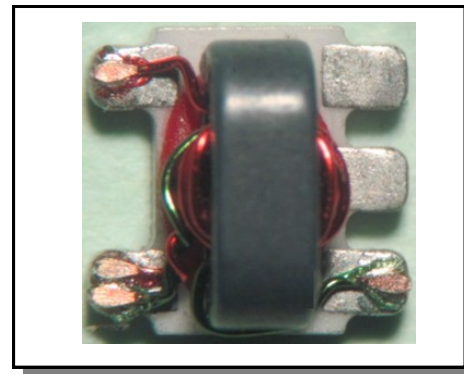
Rev. V2

Features

- Surface mount
- 1.5:1 Impedance ratio
- Available on tape and reel

Description

M/A-Com's ETC1.5-4 is a 1.5:1 RF step-down auto-transformer in a low cost, surface mount package. Ideally suited for high volume applications



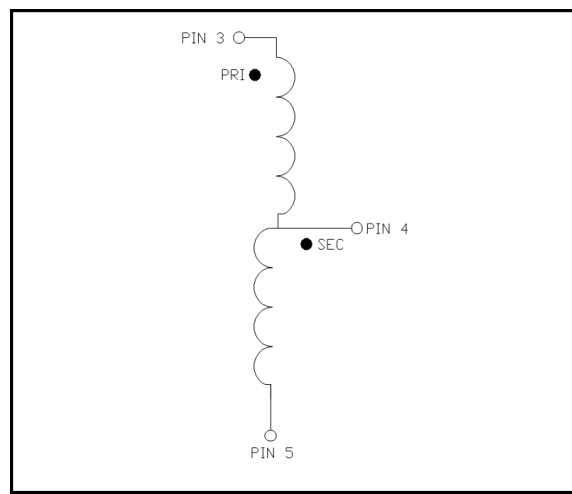
Electrical Specifications: $Z_0 = 75\Omega$, $T_A = 25^\circ\text{C}$, $P_{in} = 0\text{dBm}$

| Parameter | Conditions | Units | Min | Typ | Max |
|---------------------------------|-------------------------|----------|-----|-------|------|
| Frequency Range | | MHz | 5 | | 1000 |
| Impedance | | Ω | | 75 | |
| Impedance Ratio | | | | 1.5:1 | |
| Insertion Loss (Pin3 - Pin4) | 5 - 200MHz @1000 MHz | dB | - | 0.40 | 0.60 |
| | | dB | - | 0.78 | 1.09 |
| Input Return Loss (Pin3) | 5 - 1000 MHz | dB | 20 | 30 | - |

Pin Configuration:

| Pin No. | Function |
|---------|---------------|
| 3 | Primary Dot |
| 5 | Primary |
| 5 | Secondary |
| 4 | Secondary Dot |
| 1,2 | Not Connected |

Schematic:



ETC1.5-4TR

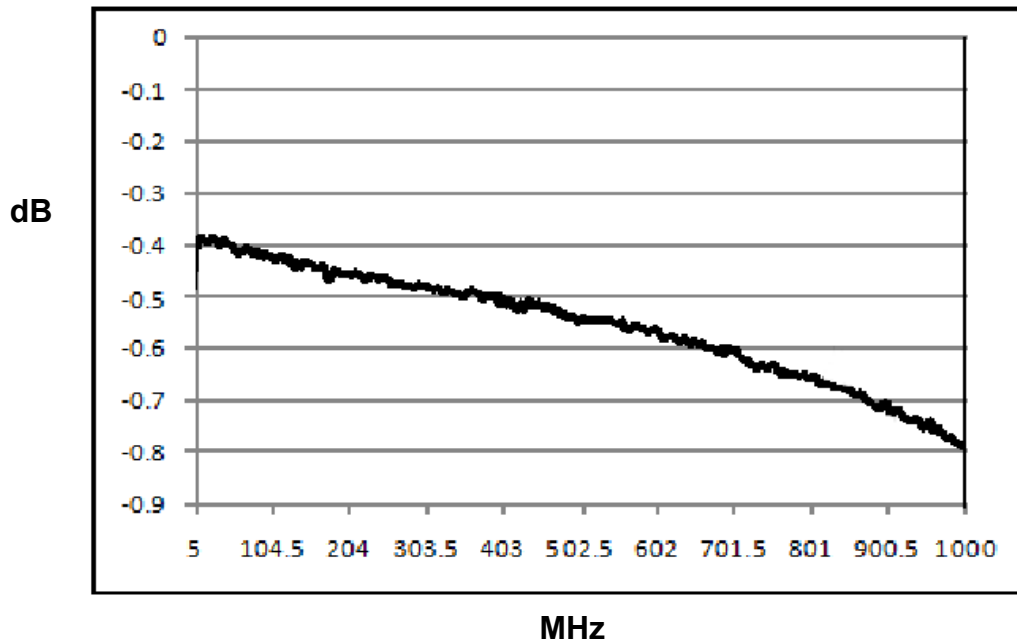


RF 1.5:1 Step-down Auto-Transformer
5MHz - 1000MHz

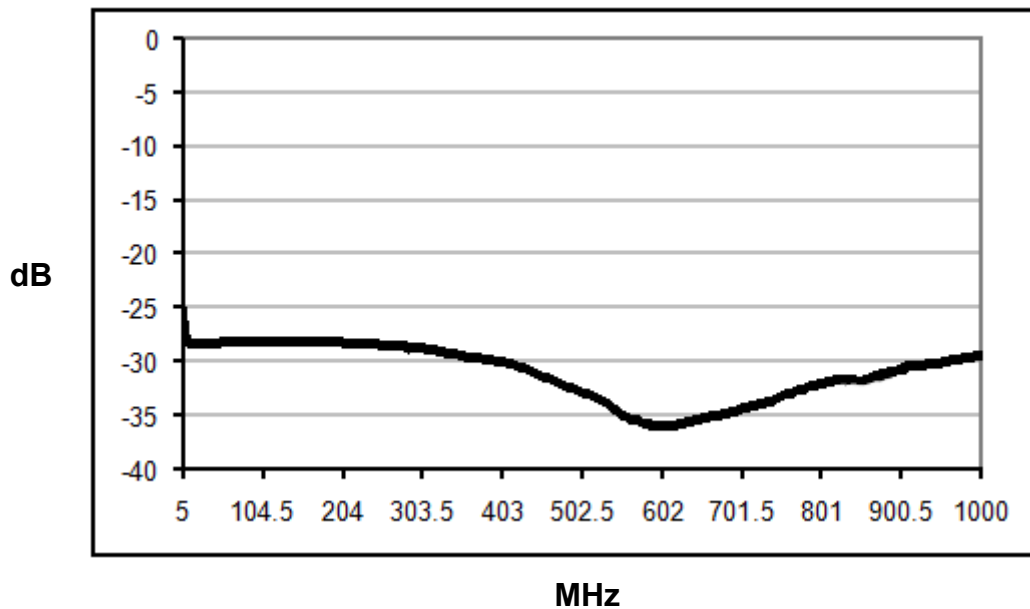
Rev. V2

Electrical Specifications: $Z_0 = 75\Omega$, $T_A = 25^\circ\text{C}$, $P_{in} = 0\text{dBm}$

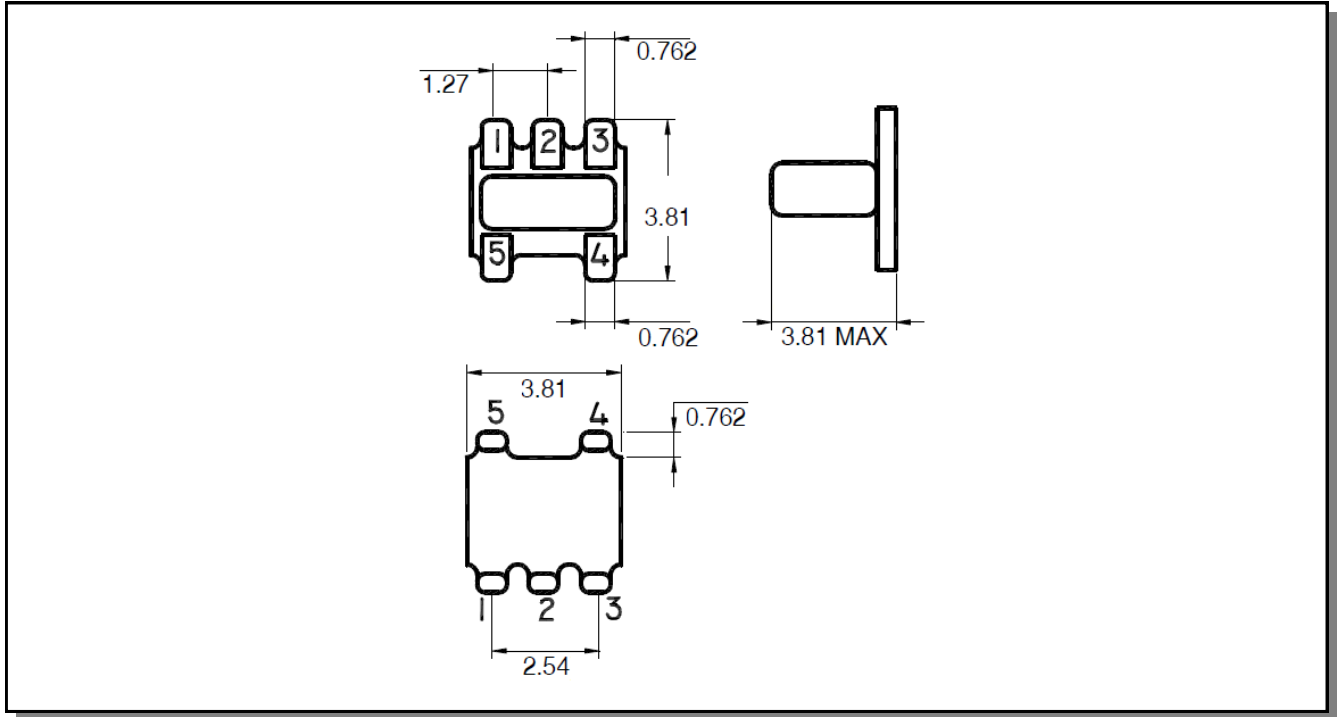
Insertion Loss:



Input Return Loss:

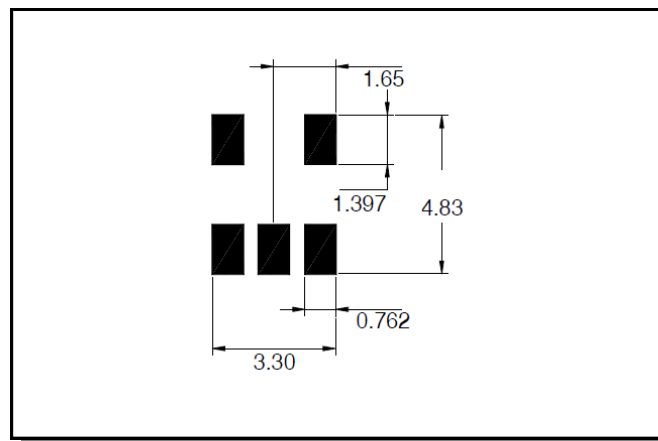


Outline Drawing



1. Dimensions in mm.
2. Tolerance: ± 0.2 mm unless otherwise noted.
3. Model number and lot code printed on reel.
4. Plating: Sn Finish

Recommended Footprint



ETC1.5-4TR



RF 1.5:1 Step-down Auto-Transformer
5MHz - 1000MHz

Rev. V2

Tape & Reel Information

| Parameter | Units | Value |
|----------------------------------------------------|-------|-------|
| Qty per reel | - | 2000 |
| Reel size | mm | 330 |
| Tape width (W) | mm | 12.00 |
| Pitch (P ₁) | mm | 8.00 |
| A ₀ | mm | 4 |
| B ₀ | mm | 4 |
| K ₀ | mm | 2.9 |
| Orientation | - | F5 |
| Reference Application note ANI-019 for orientation | | |

Ordering Information

| Part Number | Description |
|-------------|-------------|
| ETC1.5-4TR | Tape & Reel |

Recommended Maximum Ratings

| Parameter | Units | Min | Max |
|-----------------------------|-------|-----|-----|
| Input Power | mW | | 250 |
| DC Current | mA | | 200 |
| Operating Temperature Range | °C | -40 | +85 |

Temperature data available on request