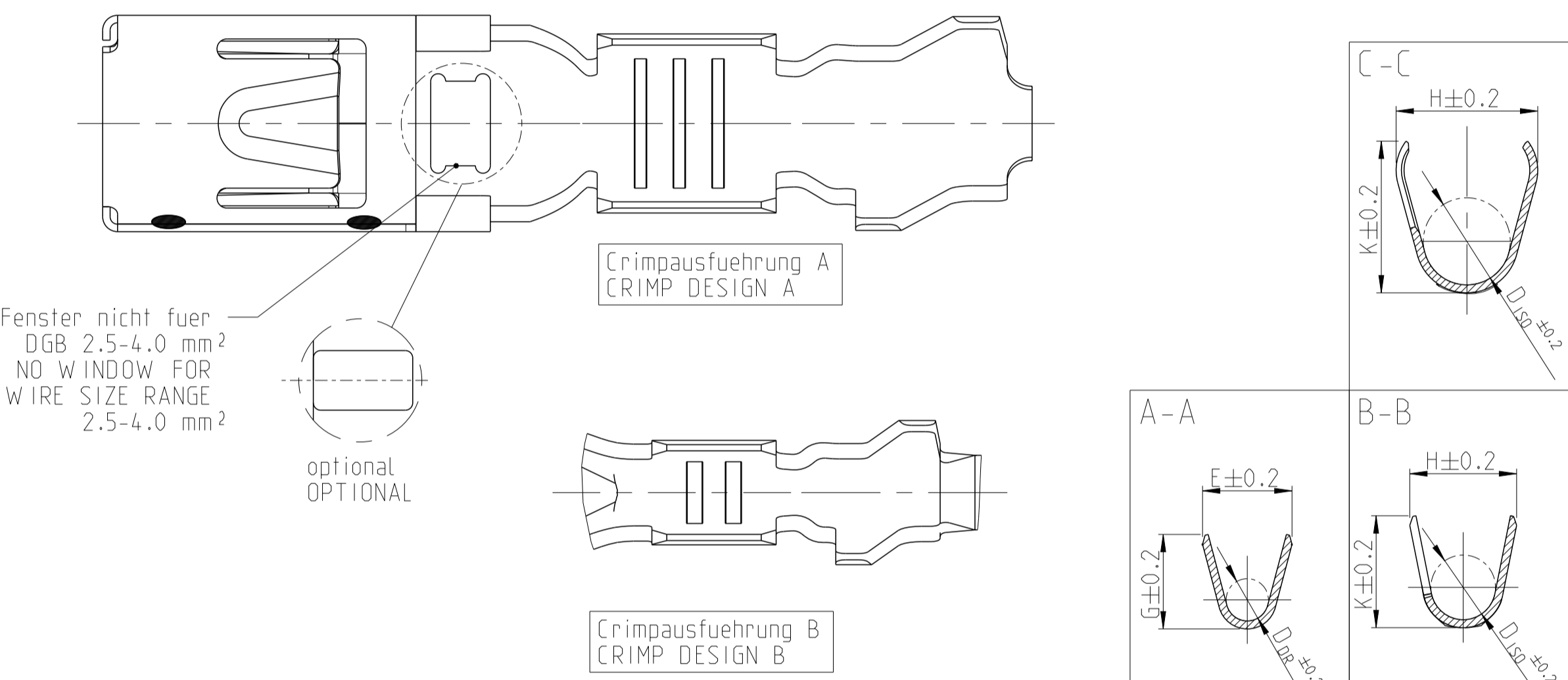
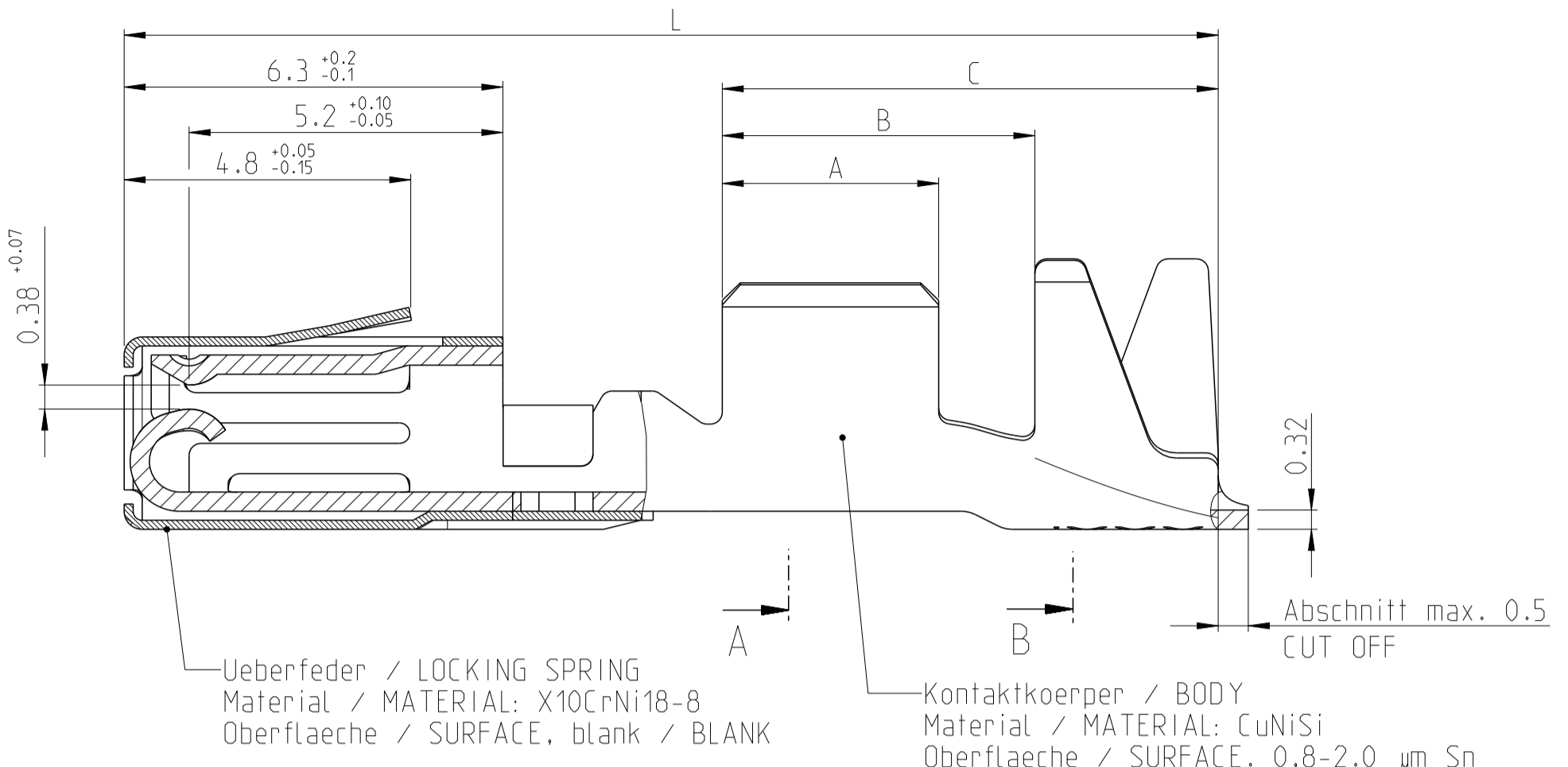


REVISIONS				
P.	LTN	DESCRIPTION	DATE	DMN APVD
B9		CRIMP DESIGN TYPE column in table added	08NOV2017	MAH. SCHI
B10		MATERIAL OF LOCKING SPRING CORRECTED	09OCT2019	BREN. SCHI
B11		E-20-000779	15JAN2020	FRAN. SCHI
B12		Updated general tolerance	22MAY2020	FRAN. SCHI

Normale Anwendung
STANDARD APPLICATION



Fenster nicht fuer
DGB 2.5-4.0 mm²
NO WINDOW FOR
WIRE SIZE RANGE
2.5-4.0 mm²

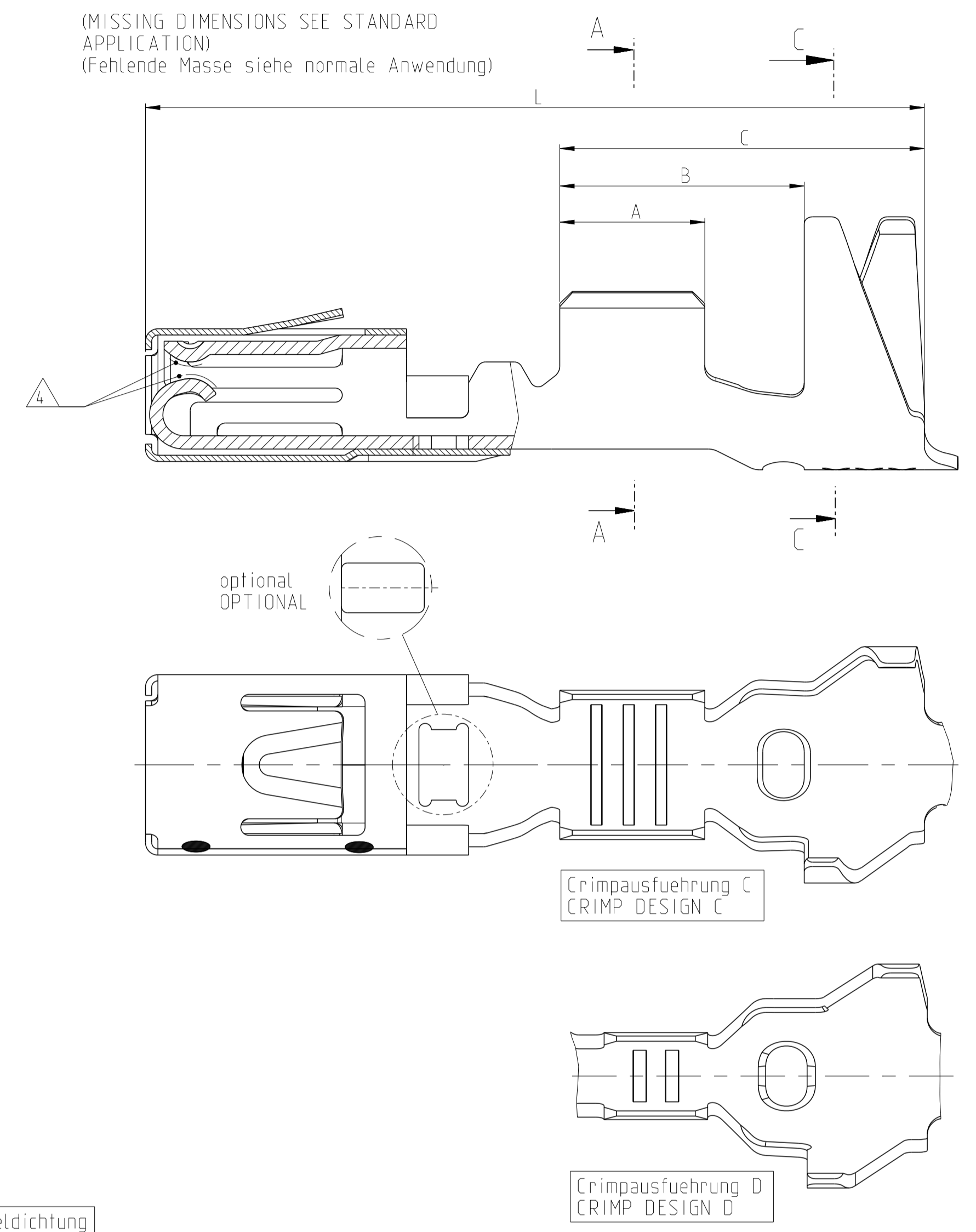
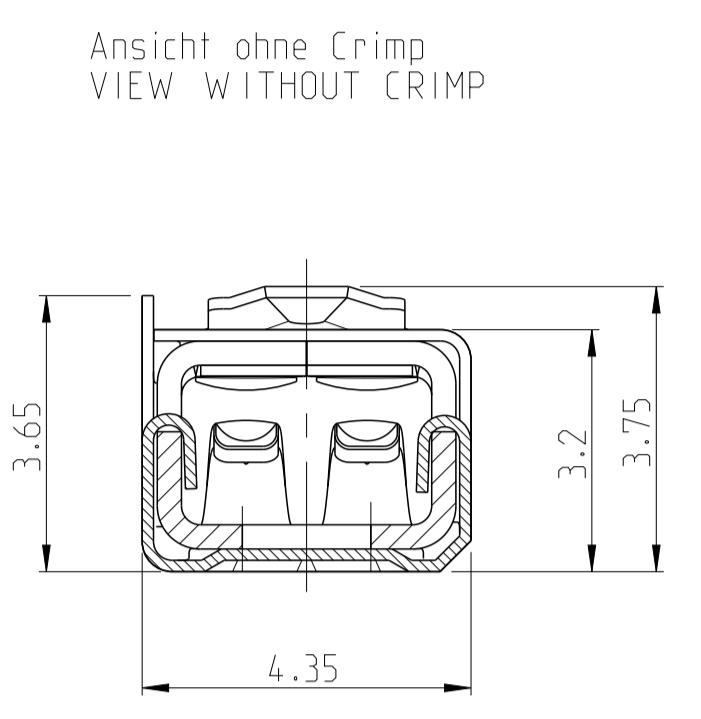
optional
OPTIONAL

Crimpausfuehrung B
CRIMP DESIGN B

Crimpausfuehrung A
CRIMP DESIGN A

Einzelichtungssystem
SINGLE WIRE SEAL SYSTEM

(MISSING DIMENSIONS SEE STANDARD APPLICATION)
(Fehlende Masse siehe normale Anwendung)



optional
OPTIONAL

Crimpausfuehrung C
CRIMP DESIGN C

Crimpausfuehrung D
CRIMP DESIGN D

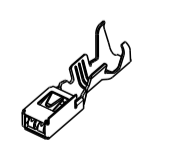
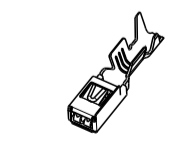
SUPERSEDED BY					REV.	NOTE	Sn	VERSION	Drahtgroessenbereich WIRE SIZE RANGE [mm ²]	Crimplaelngen CRIMP LENGTHS [mm]	Drahtcrimp WIRE CRIMP [mm]	Isolationscrimp INSULATION CRIMP [mm]	Kontaktlaenge CONTACT LENGTH [mm]	Gramm GRAM	Gewicht WEIGHT	Verarbeitung APPLICATION	Crimpausfuehrung CRIMP DESIGN	Bestell-Nr. ORDER NO. TAB NR: 116-18005-600	Farbe COLOUR	zugehoerige Einzelichtung SUITABLE SINGLE WIRE SEAL	
968075-5	968120-5	D	4	-																A	B
	968120-2	D	-	X				> 1.0-2.5	3.5	5.9	8.8	3.6	3.8	1.7	5.7	6.1	3.5			967609-1	gelb/YELLOW
	968119-4	D	6	-				> 0.5-1.0	3.0	5.4	8.3	2.5	2.7	1.2	5.5	5.9	3.3	18.8		967610-1	grau/GREY
	968119-2	D	-	X				0.35-0.5	2.5	4.9	7.8	2.1	2.1	0.8	5.4	5.7	3.2				
	968680-5	B	4	-				> 2.5-4.0	4.0	5.9	9.3	4.5	4.7	2.3	5.4	5.6	3.2	19.6			
	968680-2	B	-	X																	
	1355950-5	-	4	-																	
	1355950-4	A	6	-																	
	1355950-3	B	8	-																	
	968075-5	D	4	-				> 1.0-2.5	3.5	5.2	8.25	3.6	3.8	1.7	4.3	4.5	2.6				
	968075-4	A	6	-																	
	968075-3	B	8	-																	
	968075-2	D	-	X																	
	968074-5	D	4	-				> 0.5-1.0	3.0	4.6	7.0	2.5	2.7	1.2	3.2	3.4	1.8	18.2			
	968074-2	D	-	X																	
	968678-5	B	4	-				0.35-0.5	2.5	3.7	5.8	2.1	2.1	0.8	2.9	2.9	1.4				
	968678-2	B	-	X																	

NOTES
Bemerkungen

- SUITABLE FOR PIN CONTACT SEE DRAWING:
Passend zu Stiftkontakt:
TE: 1355933
 - FOR FLR-CONDUCTOR ACCORDING TO DIN 72551, PART 6 ONLY
Nur fuer FLR-Leitungen nach DIN 72551, Teil 6
 - DETAILS OF DESIGN ARE LEFT TO MANUFACTURER
Einzelheiten der Ausfuehrung bleiben dem Hersteller ueberlassen
- 4 MIN. 0.8 μm Au OVER MIN. 1.2 μm Ni
 Min. 0.8 μm Au ueber min. 1.2 μm Ni
 5 2-4 μm ELECTROPLATED SILVER
 2-4 μm galvanisch Silber
 6 MIN. 0.8 μm PdNi OVER MIN. 1.2 μm Ni
 Min. 0.8 μm PdNi ueber min. 1.2 μm Ni
 7 FOR INSPECTION PURPOSES ONLY
 Nur fuer Pruefzwecke
 8 MIN. 2.8-5.0 μm Ag OVER MIN. 0.2-1.0 μm Ni
 Min. 2.8-5.0 μm Ag ueber min. 0.2-1.0 μm Ni

1:1

1:1



THIS DRAWING IS A CONTROLLED DOCUMENT.		DMN S.Garcia 22MAY2000	TE Connectivity	
DIMENSIONS: mm		CHK R.Jetter 22MAY2000	TE Connectivity	
TOLERANCES UNLESS OTHERWISE SPECIFIED: DIN 6930-2-mH		APVD -	NAME MICRO POWER QUADLOK BUCHSENKONTAKT	
MATERIAL -		PRODUCT SPEC 108-18476-1	Tabellenzeichnung Buchsenkontakt	
FINISH -		APPLICATION SPEC 116-18141-1	TABLE SOCKET CONTACT	
WEIGHT -		SIZE 00779	RESTRICTED TO	
CUSTOMER DRAWING		SCALE 5:1	SHEET 1 OF 1	