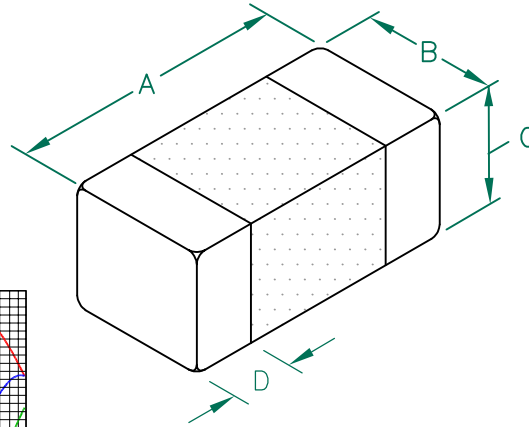


MI0603M121R-10

UNCONTROLLED DOCUMENT

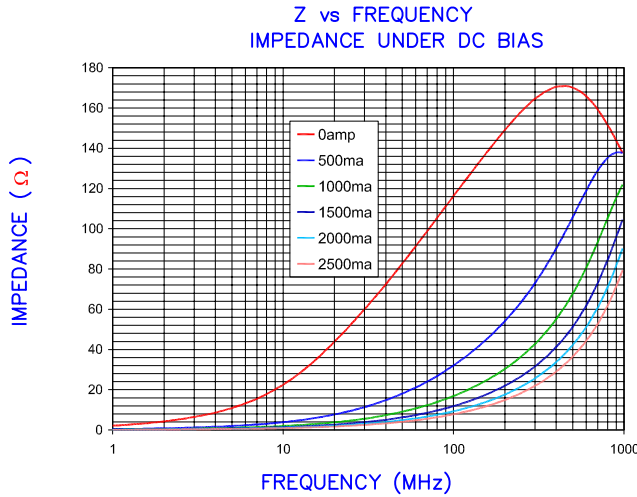
PHYSICAL DIMENSIONS:

A	1.60 [.063]	+ 0.15 [.006]
B	0.80 [.031]	+ 0.15 [.006]
C	0.80 [.031]	+ 0.15 [.006]
D	0.36 [.014]	+ 0.15 [.006]

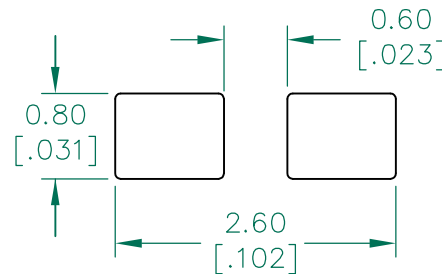


ELECTRICAL CHARACTERISTICS:		
Z @ 100MHz (Ω)	DCR (Ω)	Rated Current
Nominal	120	
Minimum	90	
Maximum	150	0.05 2500 mA

- NOTES: UNLESS OTHERWISE SPECIFIED
1. TAPED AND REELED per CURRENT EIA SPECIFICATIONS 7" REELS, 4000 PCS/REEL.
 2. TERMINATION FINISH IS 100% TIN.
 3. COMPONENTS SHOULD BE ADEQUATELY PREHEATED BEFORE SOLDERING.
 4. OPERATION TEMPERATURE TEMP: -40°C~+125°C. (INCLUDING SELF-HEATING)

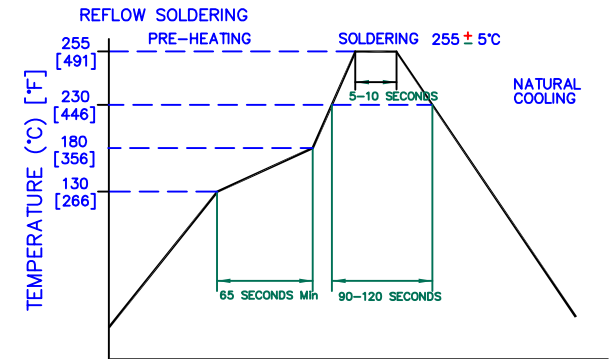


LAND PATTERNS FOR REFLOW SOLDERING

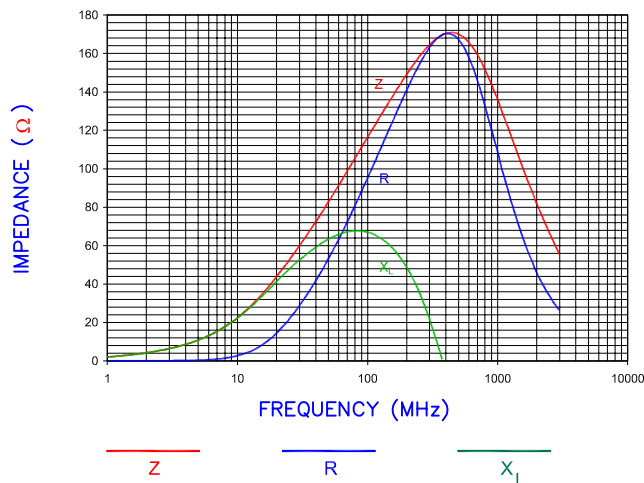


(For wave soldering, add 0.762 [.030] to this dimension)

RECOMMENDED SOLDERING CONDITIONS



|Z|, R, AND X vs. FREQUENCY



DIMENSIONS ARE IN mm [INCHES].				This print is the property of Laird Tech. and is loaned in confidence subject to return upon request and with the understanding that no copies shall be made without the written consent of Laird Tech. All rights to design or invention are reserved.			
				Laird			
PROJECT/PART NUMBER:				REV:	PART TYPE:	DRAWN BY:	
C ADD OPERATING TEMPERATURE UPDATE LAIRD LOGO AND REFLOW CURVE 08/05/13 QU				MI0603M121R-10	C	CO-FIRE	TMB
B UPDATE COMPANY LOGO ADD ROHS 07/25/08 JRK				DATE:	SCALE:	SHEET:	
A ORIGINAL DRAFT 04/05/04 TMB				04/05/04	-	2 of 2	
REV	DESCRIPTION	DATE	INT	CAD #	TOOL #		
				MI0603M121R-10-C			