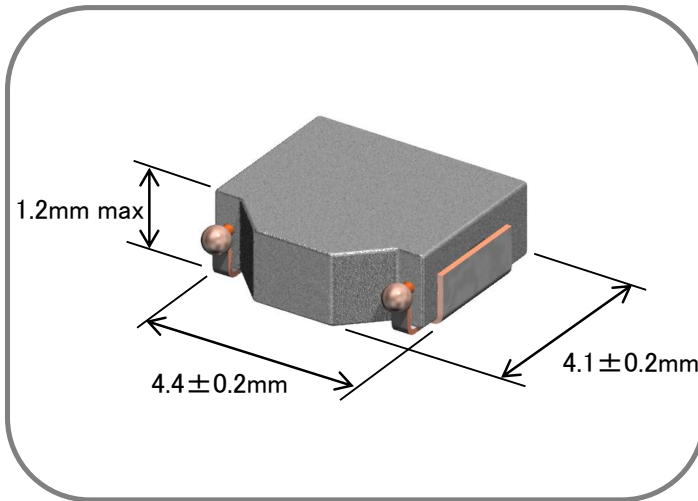


Component Image & Dimension



Features

- a) Small Footprint and Low Profile Design :
Footprint : 4.4 x 4.1 mm Typ.
Height : 1.2mm Max.
- b) High Power Handling Capability :
Small Copper Loss
Using Large Saturation Induction of Fe- based metals
- c) Wide Range Operating Temperature due to High Curie Temperature of metal core
- d) Automatic Mounting in Tape&Reel Package.

Applications

Note Book & Mobile Computer, VRM, Cellular Phone, HDD etc.

Electrical Specification

TDK Identification	Inductance		Test Freq. (kHz)	DC Resistance		Rated DC Current		
	at 0A (uH)	Tol. (%)		Spec. (m-Ohm)	Typ. (m-Ohm)	Idc 1 (A) max.	Idc 1 (A) typ.	Idc 2 (A) typ.
SPM4012T- R47M-CA	0.47	+/-20%	100	25 max	23	6.0	8.0	5.6
SPM4012T- 1R0M-CA	1.0	+/-20%	100	45 max	38	4.8	6.0	4.3
SPM4012T- 1R5M-CA	1.5	+/-20%	100	70 max	59	3.5	4.8	3.5
SPM4012T- 2R2M-CA	2.2	+/-20%	100	95 max	82	3.3	4.4	2.9
SPM4012T- 3R3M-CA	3.3	+/-20%	100	145 max	123	2.8	3.5	2.4
SPM4012T- 4R7M-CA	4.7	+/-20%	100	205 max	178	2.0	2.5	2.0

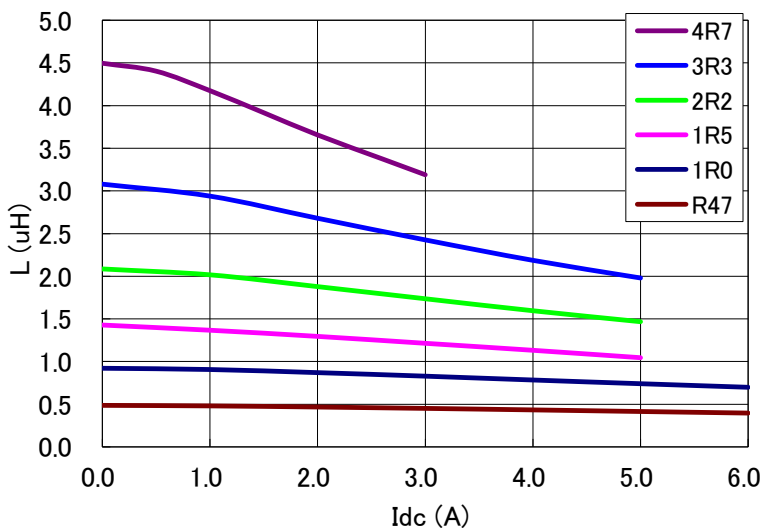
Note. Idc 1 : Based on the inductance change. (-30% Reduction from Nominal L Value)

Idc 2 : Based on the self temperature rise. (+40 deg typ.)

Operating Temperature Range: -40 °C ~ +125 °C (including self temperature rise)

Caution: Please contact our sales person when you consider organic solvent or aqueous cleaning.

Inductance vs. DC Superposition



Recommended pad layout

