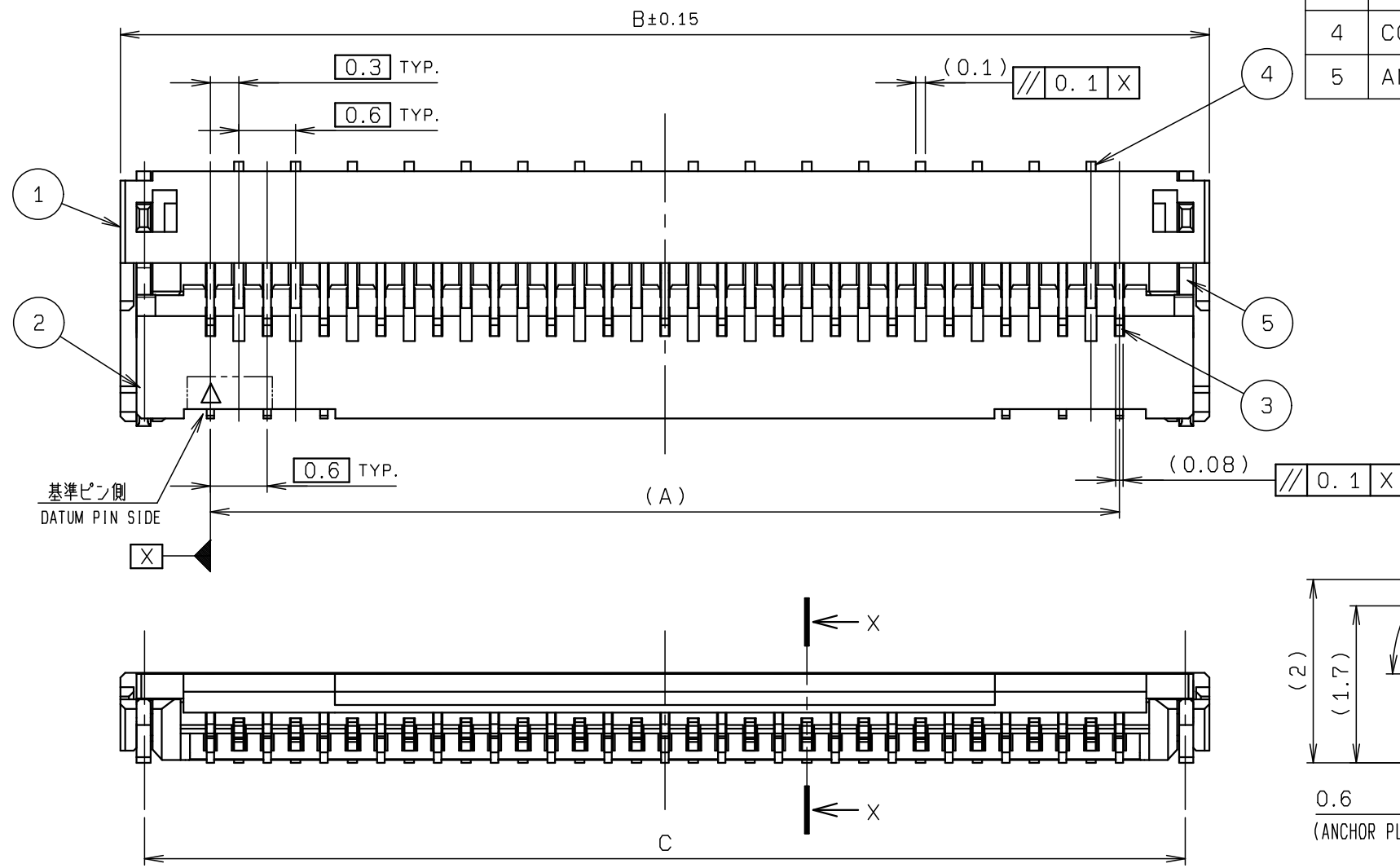
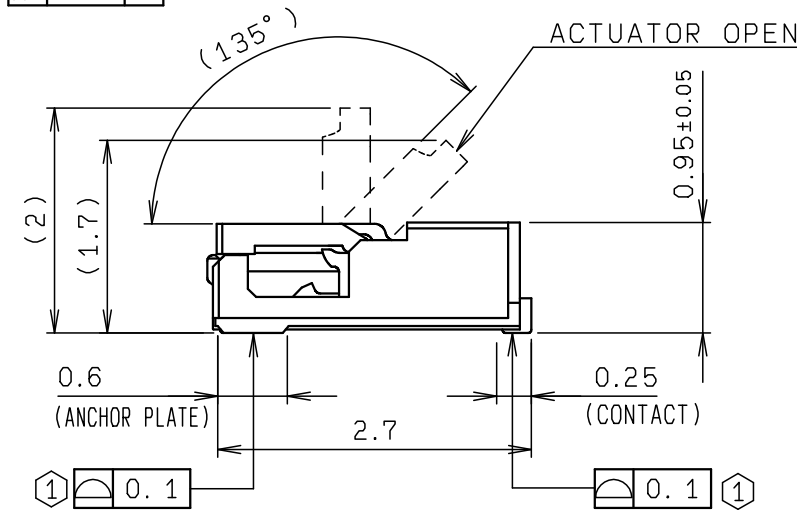
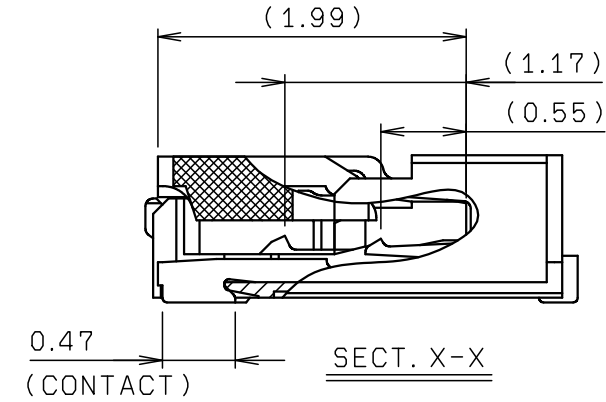


51P未満

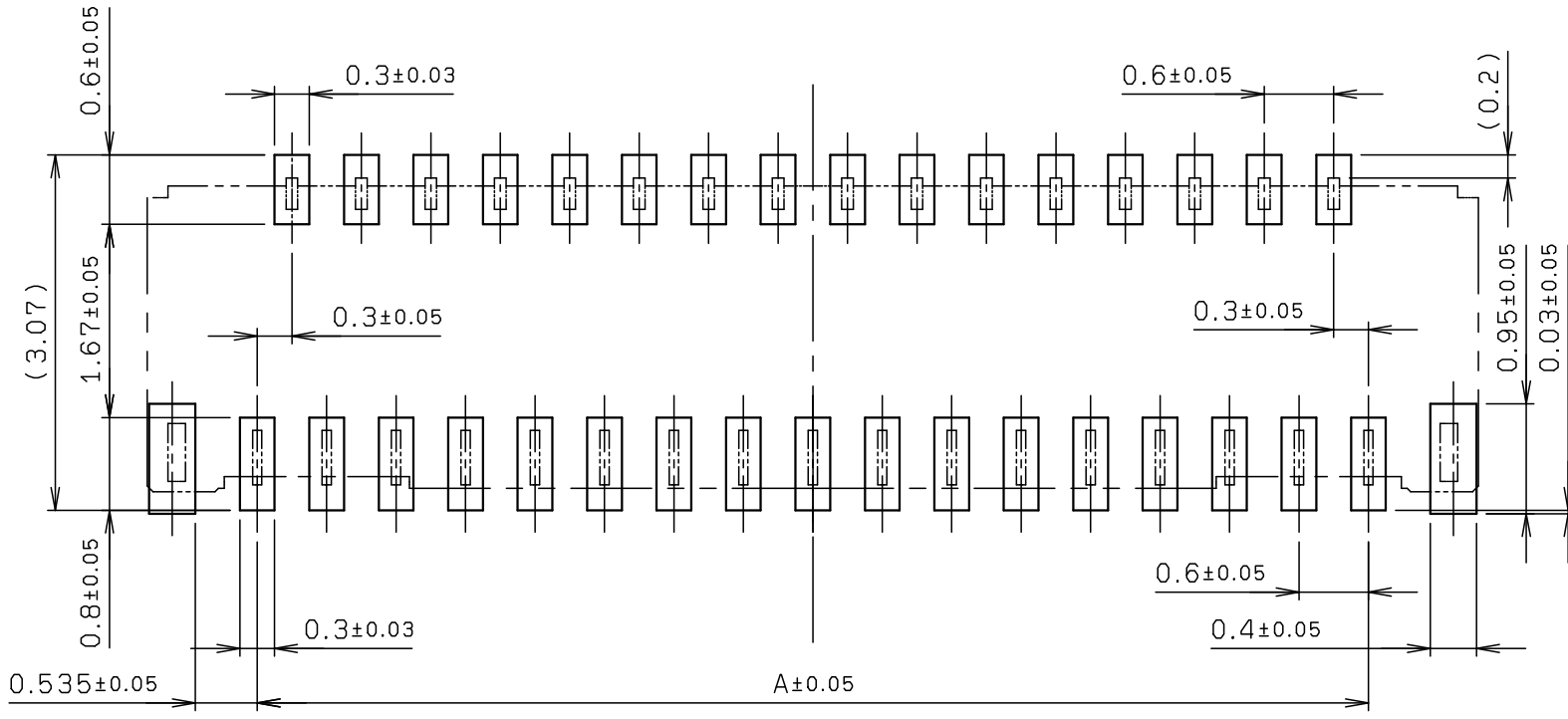


NO.	DESCRIPTION	PART NO.	QTY	MATERIAL	DRW NO.	REMARKS
1	INSULATOR		1	HEAT RESISTANCE PLASTIC		COLOR: WHITE
2	ACTUATOR		1	HEAT RESISTANCE PLASTIC		COLOR: BLACK
3	CONTACT (FRONT TYPE)		$\frac{N+1}{2}$	PHOS-BRONZE		
4	CONTACT (REAR TYPE)		$\frac{N-1}{2}$	PHOS-BRONZE		
5	ANCHOR PLATE		2	PHOS-BRONZE		



極数 NO. OF POS.	A	B	C
11	3.0	4.9	4.39
13	3.6	5.5	4.99
15	4.2	6.1	5.59
17	4.8	6.7	6.19
19	5.4	7.3	6.79
21	6.0	7.9	7.39
23	6.6	8.5	7.99
25	7.2	9.1	8.59
27	7.8	9.7	9.19
29	8.4	10.3	9.79
31	9.0	10.9	10.39
33	9.6	11.5	10.99
35	10.2	12.1	11.59
37	10.8	12.7	12.19
39	11.4	13.3	12.79
41	12.0	13.9	13.39
43	12.6	14.5	13.99
45	13.2	15.1	14.59
47	13.8	15.7	15.19
49	14.4	16.3	15.79

※この表は1, 3ページ目にお適用
 ※THIS CHART IS APPLICABLE TO SHEET-1 AND SHEET-3 ONLY.

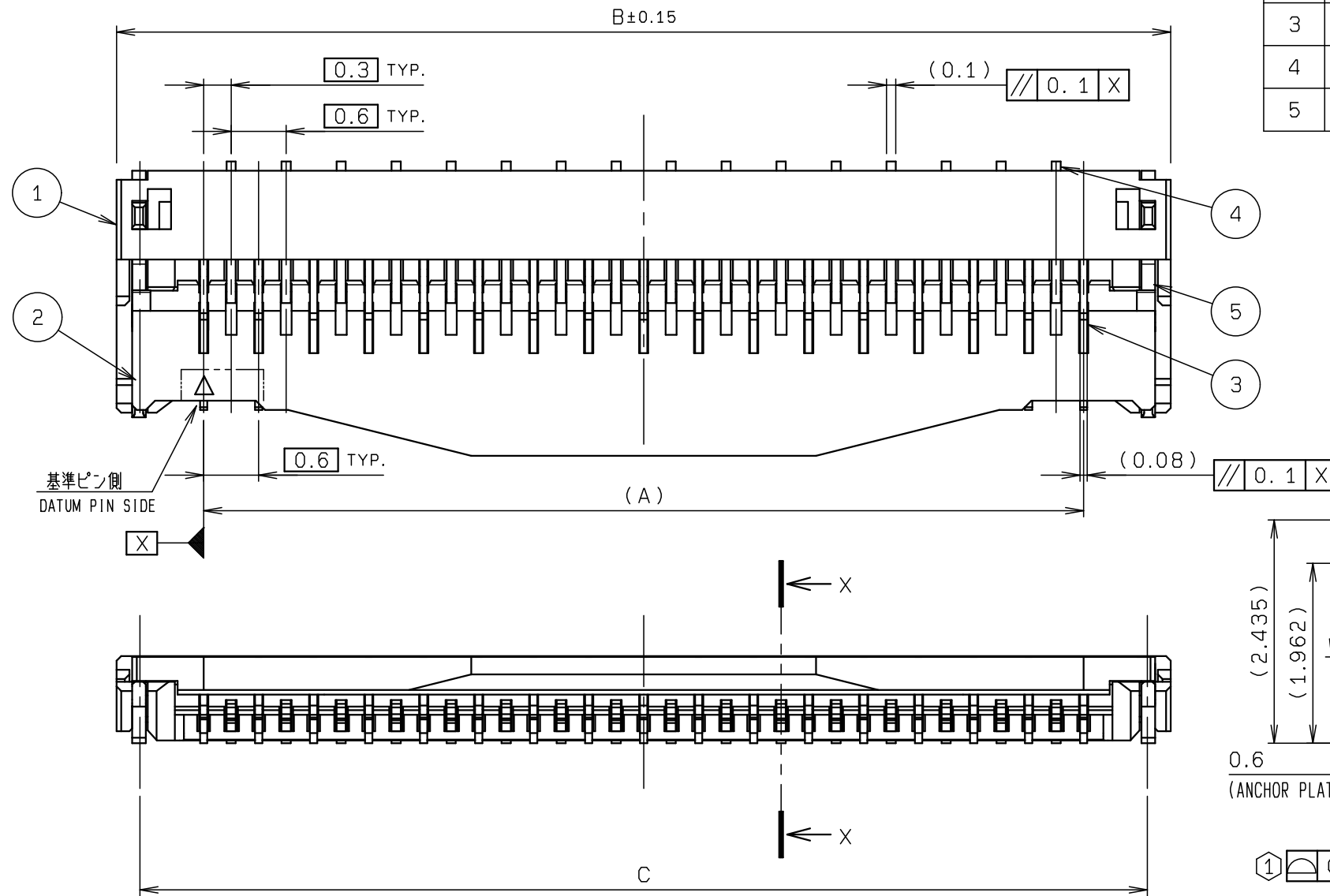


基板取付寸法
MOUNTING LAYOUT

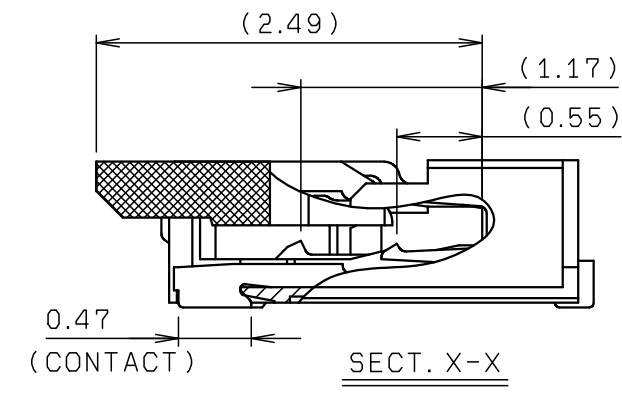
ROHS規制対応
COMPLIANT WITH
RoHS REGULATIONS

TOLERANCE / 一般公差(S)		PRODUCT SPEC / 製品規格		H		DCN18868		2018/10/15		
$X < 10$	± 0.2			G	DCN-1290	2015/11/25		N. NAKAJIMA	Y. FUJII	
$10 \leq X < 30$	± 0.25			O	EDN-146	2012/02/23		N. NAKAJIMA	T. SATOH	
$30 \leq X$	± 0.3			NO.		EDN/DCN	DATE	ISSUE	CHECKED	APPROVED
ANGLE / 角度 $\pm 3^\circ$		UNIT	ANGLE	PART NAME / 品名						
		mm	3RD	FPC ASSY RA SMT						
		SCALE	DATE	0.3mm PITCH ZIF TYPE BOTTOM CONTACT						
		NTS	2012/02/23	PART NO. / 型番						
DRAWN M. TAKAHASHI		DESIGNED N. NAKAJIMA		CHECKED		APPROVED T. SATOH		04 6844 7XX 002 846 +		
		DRAWN		DWG NO. / 図番		BJS 6844006		SHEET/REV		
		KYOCERA						1/4 H		

51P以上

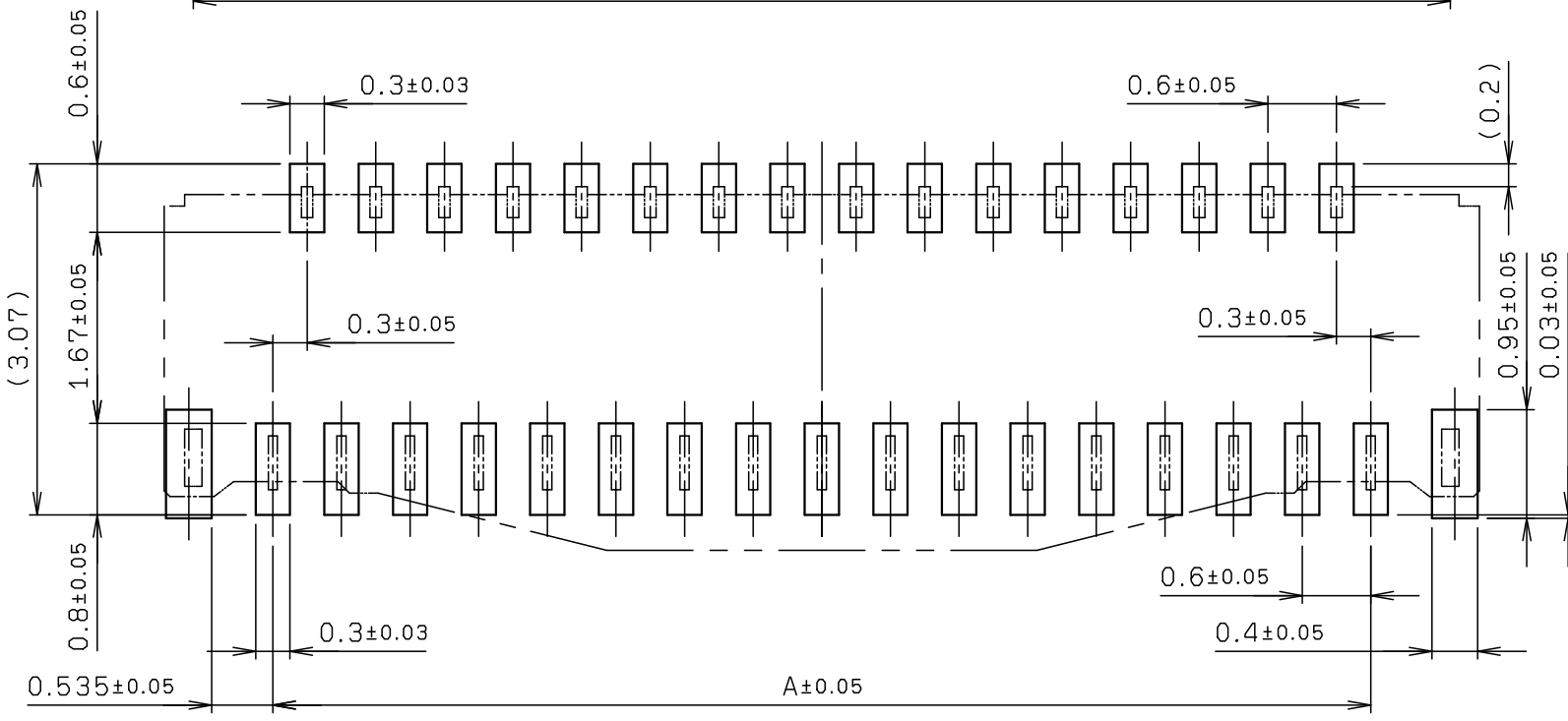
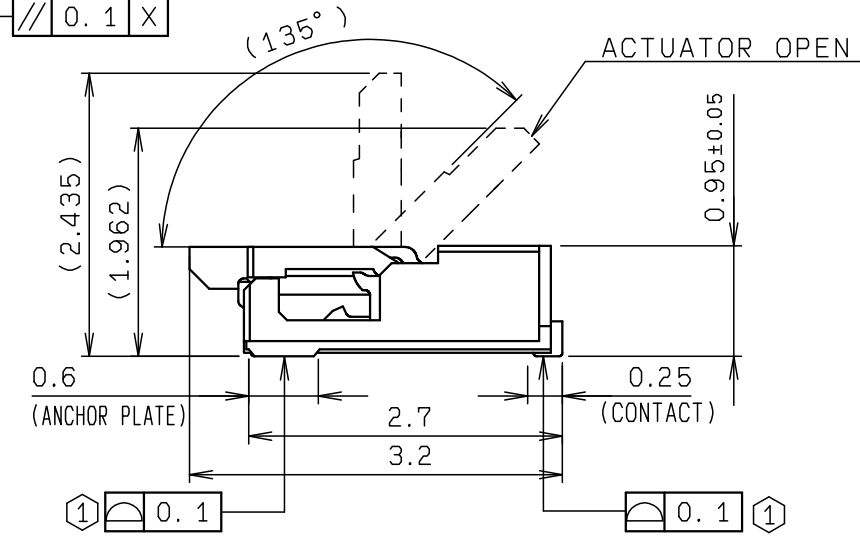


NO.	DESCRIPTION	PART NO.	QTY	MATERIAL	DRW NO.	REMARKS
1	INSULATOR		1	HEAT RESISTANCE PLASTIC		COLOR: WHITE
2	ACTUATOR		1	HEAT RESISTANCE PLASTIC		COLOR: BLACK
3	CONTACT (FRONT TYPE)		$\frac{N+1}{2}$	PHOS-BRONZE		
4	CONTACT (REAR TYPE)		$\frac{N-1}{2}$	PHOS-BRONZE		
5	ANCHOR PLATE		2	PHOS-BRONZE		



種数 NO. OF POS.	A	B	C
51	15.0	16.9	16.39
53	15.6	17.5	16.99
55	16.2	18.1	17.59
57	16.8	18.7	18.19
59	17.4	19.3	18.79
61	18.0	19.9	19.39

※この表は2, 3ページ目のみ適用
 ※THIS CHART IS APPLICABLE TO SHEET-2 AND SHEET-3 ONLY.

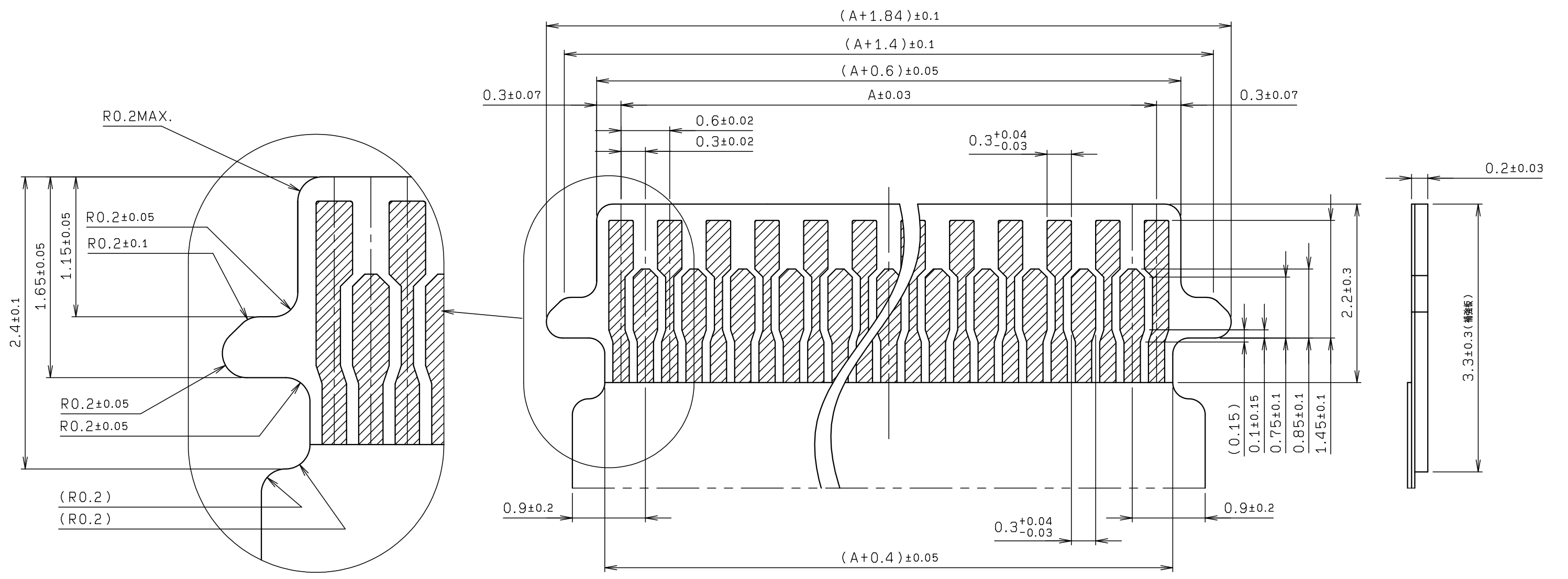


基板取付寸法
MOUNTING LAYOUT

ROHS規制対応
COMPLIANT WITH
RoHS REGULATIONS

TOLERANCE / 一般公差(S)		PRODUCT SPEC / 製品規格		REFER TO SHEET 1/4					
X < 10	±0.2	UNIT	ANGLE	NO.	EDN/DCN	DATE	ISSUE	CHECKED	APPROVED
10 ≤ X < 30	±0.25	mm	3RD	PART NAME / 品名					
30 ≤ X	±0.3			FPC ASSY RA SMT					
ANGLE / 角度	±3°	SCALE	DATE	0.3mm PITCH ZIF TYPE BOTTOM CONTACT					
		NTS	2012/02/23	PART NO. / 型番					
DRAWN	DESIGNED	CHECKED	APPROVED	04 6844 7XX 002 846 +					
M. TAKAHASHI	N. NAKAJIMA		T. SATOH	DWG NO. / 図番					
				BJS 6844006					
				SHEET / REV				12 / 4 H	

NO.	DESCRIPTION	PART NO.	QTY	MATERIAL	DRW NO.	REMARKS
-----	-------------	----------	-----	----------	---------	---------

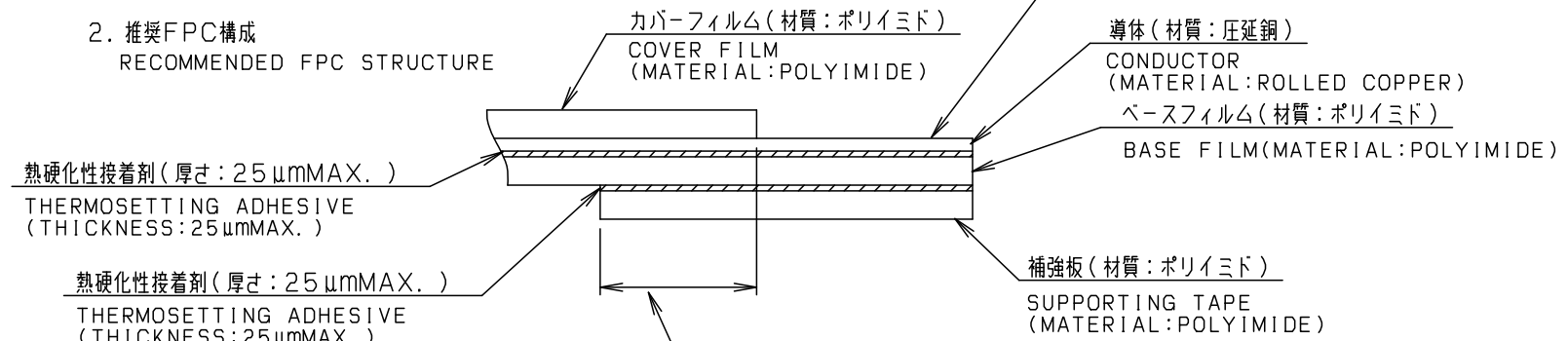


適用FPC寸法
APPLICABLE FPC

注記
NOTE

① コンタクトテール及び固定金具は基板より最大浮き0.1mmとする。
CONTACT TAIL AND ANCHOR PLATE HEIGHT SHALL BE 0.1MAX.

2. 推奨FPC構成
RECOMMENDED FPC STRUCTURE



断線防止の為、カバーフィルムと補強板のオーバーラップ量は、1mm以上とる事を推奨します。

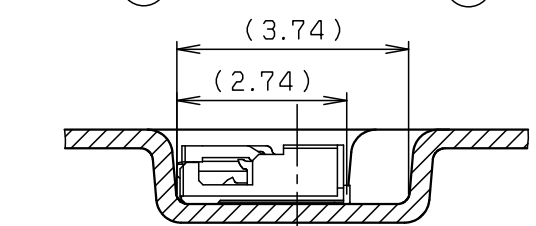
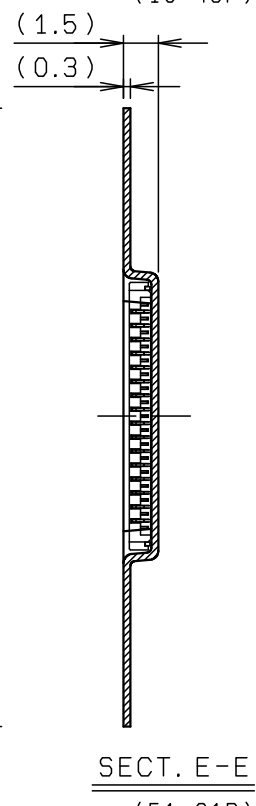
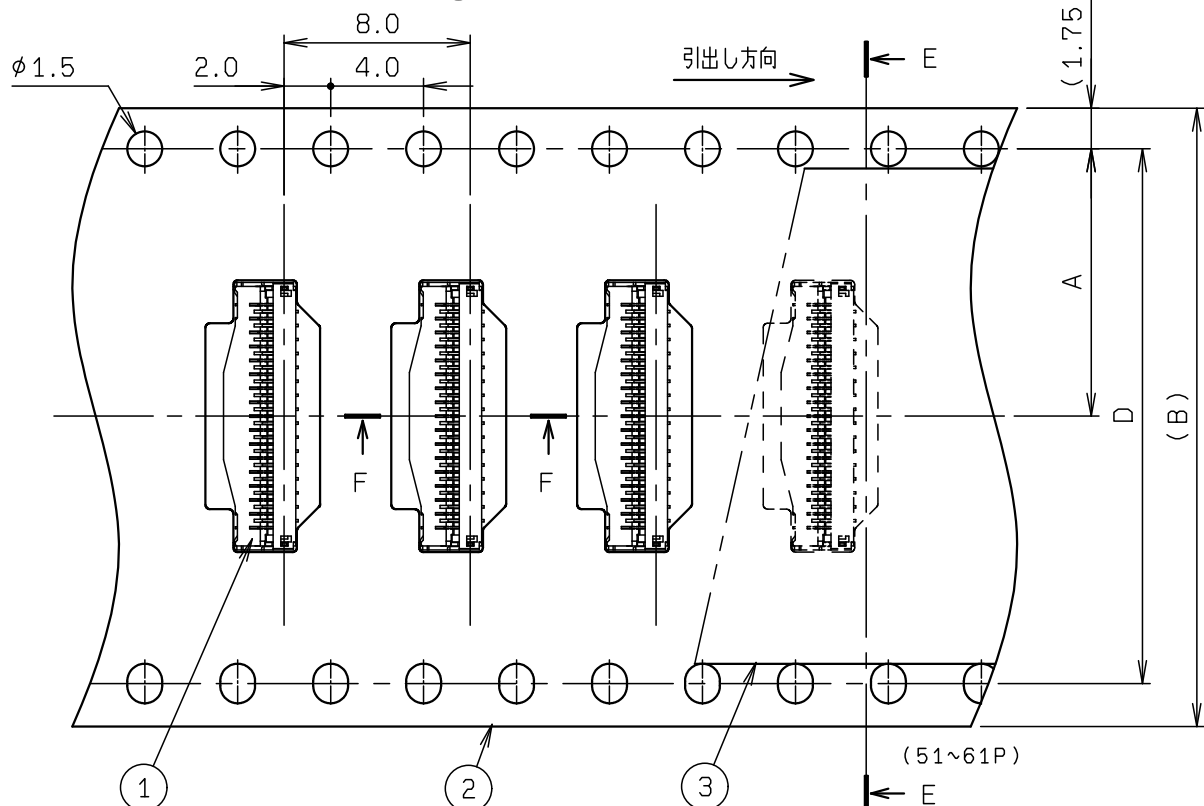
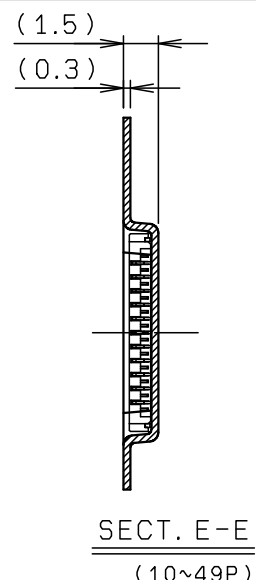
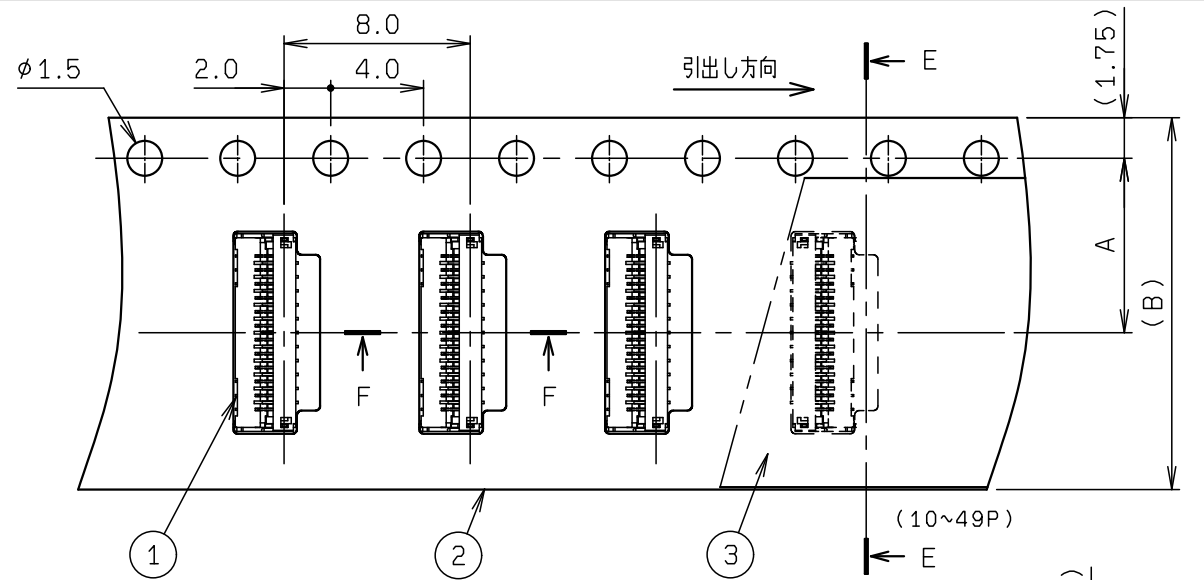
3. Nは、極数を示す。
N: NUMBER OF CONTACTS

※この注記は1~3ページ目にも適用
※THIS NOTES IS APPLICABLE TO SHEET-1 AND SHEET-3 ONLY.

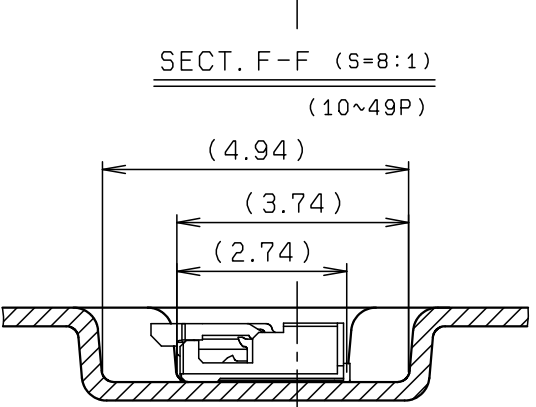
ROHS規制対応
COMPLIANT WITH
ROHS REGULATIONS

TOLERANCE / 一般公差(S)		PRODUCT SPEC / 製品規格			
X < 10	±0.2	UNIT	ANGLE	REFER TO SHEET 1/4	
10 ≤ X < 30	±0.25	mm	3RD	NO.	EDN/DCN
30 ≤ X	±0.3	SCALE	DATE	DATE	ISSUE
ANGLE / 角度	±3°	NTS	2012/02/23	CHECKED	APPROVED
DRAWN	DESIGNED	CHECKED	APPROVED	PART NAME / 品名	
M. TAKAHASHI	N. NAKAJIMA		T. SATOH	FPC ASSY RA SMT	
				0.3mm PITCH ZIF TYPE BOTTOM CONTACT	
				PART NO. / 型番	
				04 6844 7XX 002 846 +	
				DWG NO. / 図番	
				BJS 6844006	
				SHEET / REV	
				3/4 H	

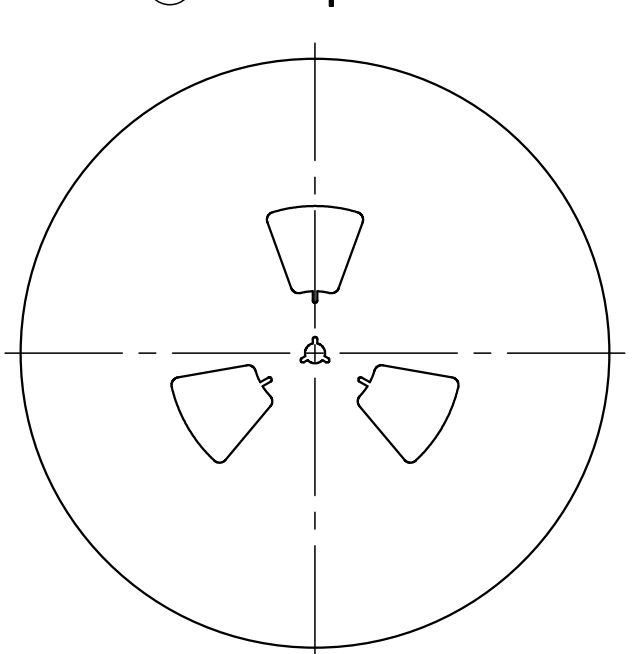
© 2012 KYOCERA Corporation



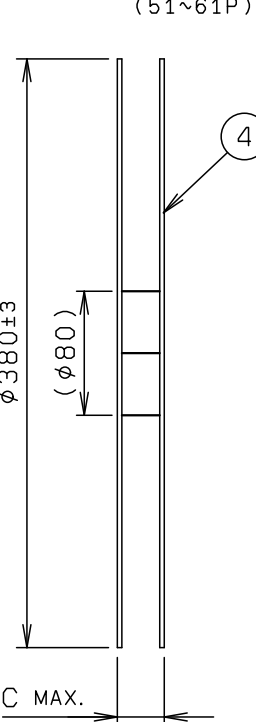
SECT. F-F (S=8:1)
(10~49P)



SECT. F-F (S=8:1)
(51~61P)



REEL DIMENSION (S=1:5)

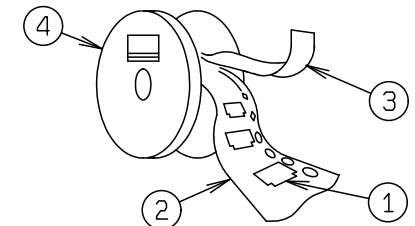


NO.	DESCRIPTION	PART NO.	QTY	MATERIAL	DRW NO.	REMARKS
1	CONNECTOR	04 6844 7XX 002 846 +	5000			00 6844 7XX 002 846 +
2	EMBOSSSED TAPE		1	POLYSTYRENE		
3	TOP COVER TAPE		1	POLYSTYRENE		
4	REEL		1	POLYSTYRENE		

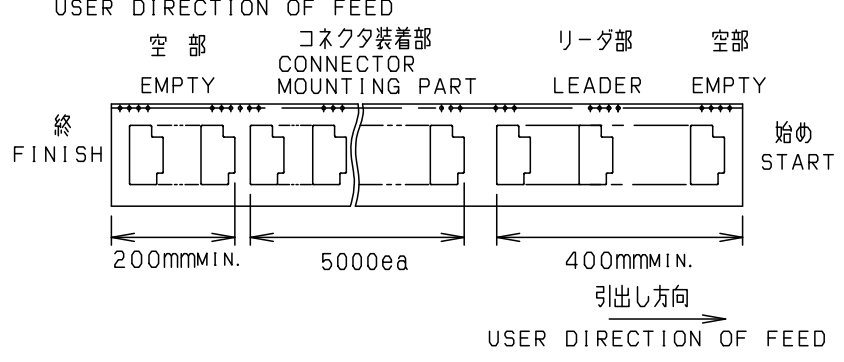
注記
NOTE

1. 梱包数量 : 5000 個/リール
PACKING QUANTITY : 5000 ea/reel

2. 納入時のリール巻き方向
REELING DIRECTION IN DELIVERY



3. 引出し方向
USER DIRECTION OF FEED



4. 型番
P/N

04 6844 7XX 002 846 +

バリエーション
VARIATION
7: ハロゲンフリー品 (UL94HB)

極数
NO. OF POS.

めっきコード
PLATING CODE
846: Au (SELECTIVE)

※この注記の1~3は4ページ目のみ適用
※THIS NOTES 1 TO 3 ARE APPLICABLE TO SHEET-4 ONLY.

極数 NO. OF POS.	A	B	C	D
11	7.5	16.0	22.4	—
13	7.5	16.0	22.4	—
15	7.5	16.0	22.4	—
17	7.5	16.0	22.4	—
19	7.5	16.0	22.4	—
21	7.5	16.0	22.4	—
23	11.5	24.0	30.4	—
25	11.5	24.0	30.4	—
27	11.5	24.0	30.4	—
29	11.5	24.0	30.4	—
31	11.5	24.0	30.4	—
33	11.5	24.0	30.4	—
35	11.5	24.0	30.4	—
37	11.5	24.0	30.4	—
39	11.5	24.0	30.4	—
41	11.5	24.0	30.4	—
43	11.5	24.0	30.4	—
45	11.5	24.0	30.4	—
47	11.5	24.0	30.4	—
49	11.5	24.0	30.4	—
51	14.2	32.0	38.4	28.4
53	14.2	32.0	38.4	28.4
55	14.2	32.0	38.4	28.4
57	14.2	32.0	38.4	28.4
59	14.2	32.0	38.4	28.4
61	14.2	32.0	38.4	28.4

※この表は4ページ目のみ適用
※THIS CHART IS APPLICABLE TO SHEET-4 ONLY.

ROHS規制対応
COMPLIANT WITH
ROHS REGULATIONS

TOLERANCE / 一般公差 (S)		PRODUCT SPEC / 製品規格		REFER TO SHEET 1/4			
X < 10	±0.2	UNIT	ANGLE	NO.	EDN/DCN	DATE	ISSUE
10 ≤ X < 30	±0.25	mm	3RD	CHECKED	APPROVED	PART NAME / 品名	
30 ≤ X	±0.3	SCALE	DATE	EMBOSS TAPE ASSY			
ANGLE / 角度	±3°	3 : 1	2012/02/23	FPC ASSY RA SMT			
DRAWN	DESIGNED	CHECKED	APPROVED	PART NO. / 型番			
M. TAKAHASHI	N. NAKAJIMA		T. SATOH	04 6844 7XX 002 846 +			
DRAWN				DWG NO. / 図番			
M. TAKAHASHI				BJS 6844006			
DESIGNED				SHEET / REV			
N. NAKAJIMA				14 / 4 H			

