

C1608NP01H102J080AA

TDK Item Description : C1608NP01H102JT****

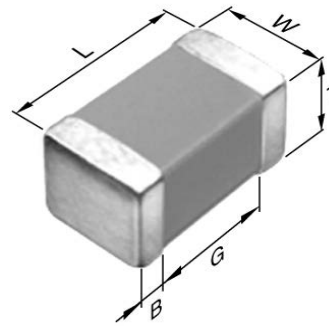


Application & Main Feature

Commercial Grade (High Temperature Application)

Series

C1608 [EIA 0603]



Dimensions

L	1.60mm ±0.10mm
W	0.80mm ±0.10mm
T	0.80mm ±0.10mm
B	0.20mm Min.
G	0.30mm Min.

Temperature Characteristic

NP0 (-55 to 150 degC 0+/-30ppm/degC)

Rated Voltage

1H(50Vdc)

Capacitance

1nF

Capacitance Tolerance

J (±5%)

Q Factor

1000 Min.

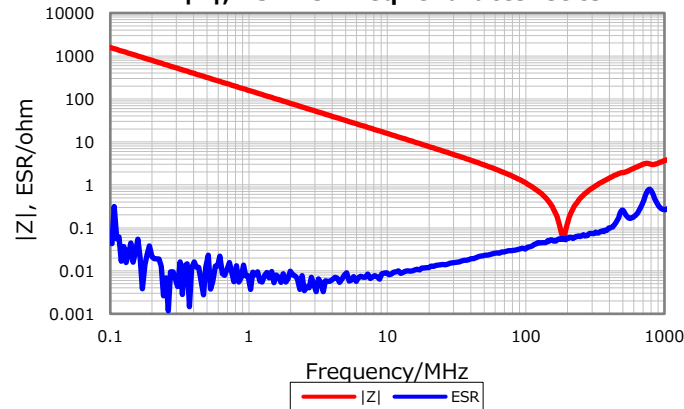
Insulation Resistance

10Gohm Min

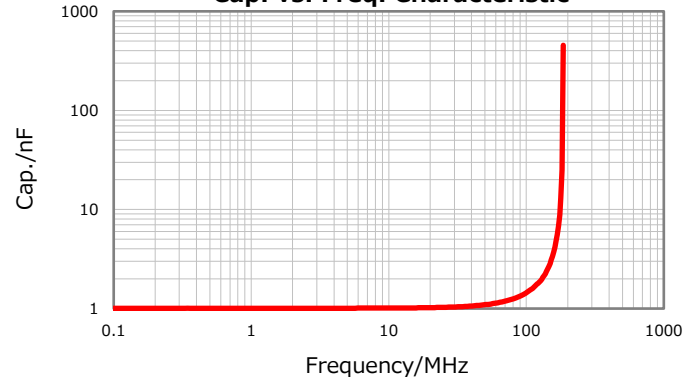
AEC-Q200

Not Applicable

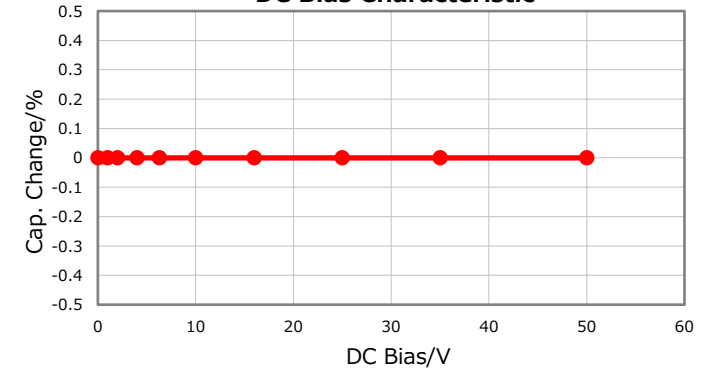
|Z|, ESR vs. Freq. Characteristics



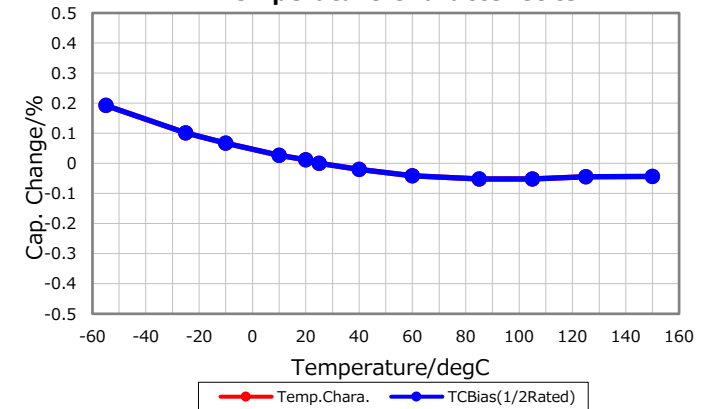
Cap. vs. Freq. Characteristic



DC Bias Characteristic



Temperature Characteristics



Ripple Temperature Rise Characteristics

