

# C1005C0G1H150F050BA

TDK Item Description : C1005C0G1H150FT\*\*\*\*

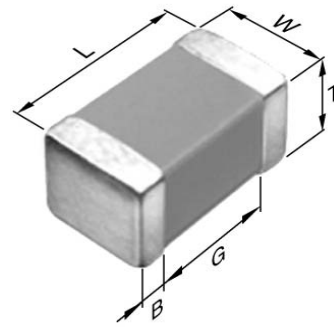


## Application & Main Feature

Commercial Grade ( General (Up to 50V) )

## Series

C1005 [EIA CC0402]



## Dimensions

L 1.00mm +/-0.05mm  
W 0.50mm +/-0.05mm  
T 0.50mm +/-0.05mm  
B 0.10mm Min.  
G 0.30mm Min.

## Temperature Characteristic

C0G (-55 to 125 degC 0+/-30ppm/degC)

## Rated Voltage

1H (50Vdc)

## Capacitance

15pF

## Capacitance Tolerance

F (+/-1%)

## Q Factor

700 Min.

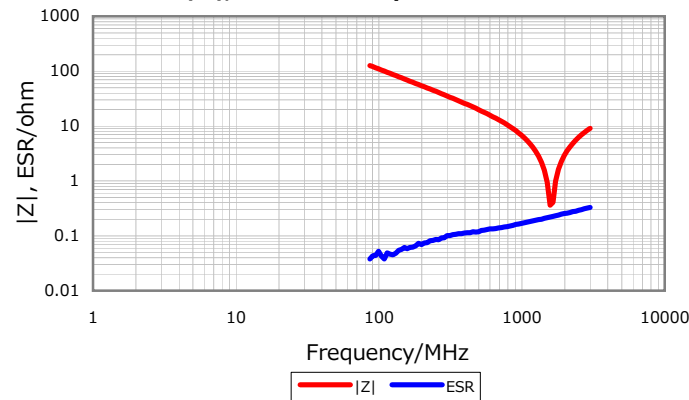
## Insulation Resistance

10Gohm Min.

## AEC-Q200

Not Applicable

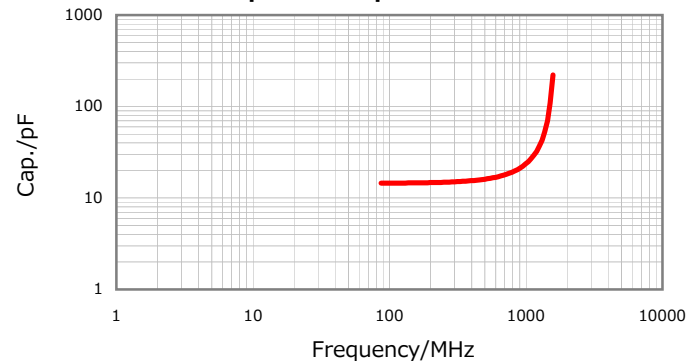
### |Z|, ESR vs. Freq. Characteristics



### DC Bias Characteristic



### Cap. vs. Freq. Characteristic



### Temperature Characteristics

