

NEW



microSD™ Memory Card and SIM Card
Combo Connector

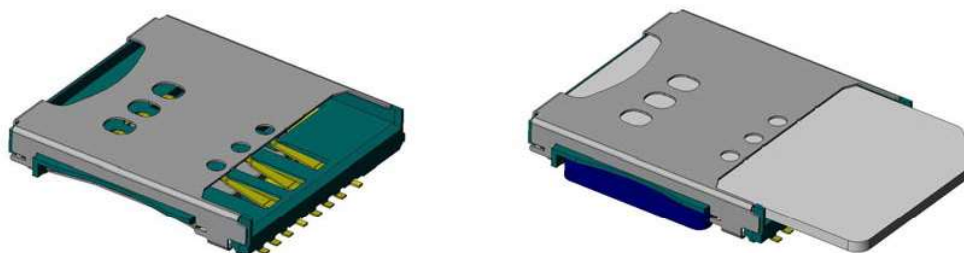
CONNECTOR

MB-0167-1

March 2007

ST5 Series

RoHS Compliant



< Outline >

The ST5 Series are combo connectors with one-piece type external connectors for micro SD™ card and GSM11.11 standard compatible Plug in SIM card.

* microSD™ is a trademark of SD Card Association.

Features

- Combo connector compatible with slide type GSM11.11 standard Plug-in SIM card and reverse mounting push-push structure microSD™, standardized by the SDA™.
- With 1mm push stroke and 3.3mm card eject length.
- With card half lock structure
- With a countermeasure to prevent the card from popping out.
- Card insertion detection structure (D-SW), Normally open
- Shield characteristic is secured by the 4 ground connection points.
- Slim design with 2.8mm height, 17.35mm depth and 19.2mm width (depth including card: 19.2mm x 26mm)
- Supply for automatic mounting in embossed tape (Compatible to second reflow)

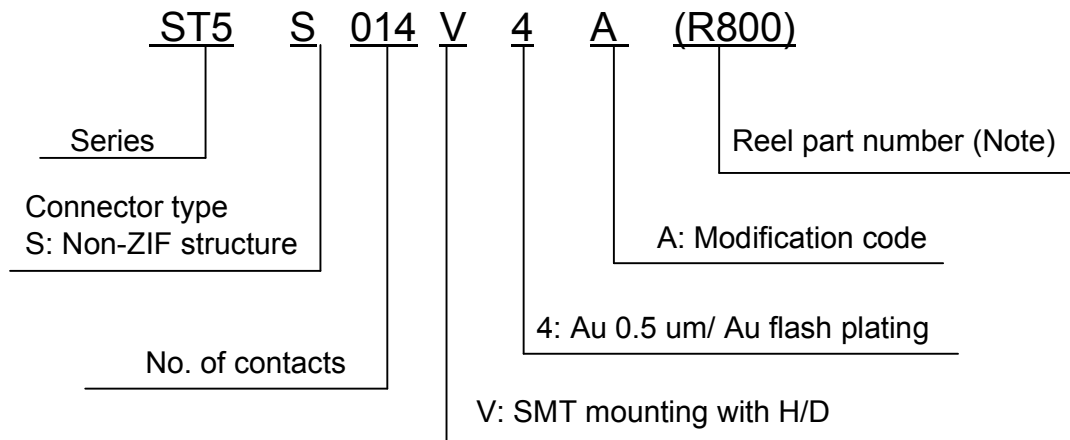
General Specifications

- | | |
|--|---|
| ■ No. of contacts : 14 pos.+2pos. (D-SW) | ■ Rated current: 0.5A/ per pin |
| ■ Contact resistance: 100m ohm max. | ■ Rated voltage: 10V/ per pin |
| ■ Dielectric withstanding voltage :
AC500Vr.m.s. per minute | ■ Insulation resistance: 1000M ohm min. |
| ■ Operating temperature:
-25 Deg. C to +85 Deg. C | ■ Lifetime: 5,000/ 10,000 times |
| ■ Storage temperature:
-10 Deg. C to +60 Deg. C | ■ Temperature rise: 30 Deg. C rise max. |

Materials and Finishes

Components	Materials /Finishes
Signal contact (microSD, SIM in common)	Copper Alloy/ Contact: 0.5um min. Au plating over Ni Terminal: Au flash plating over Ni
Housing	Synthetic resin/ No (UL94V-0)
Cover frame	Stainless steel/ terminal area: Au flash plating over Ni
Eject bar	Synthetic resin/ No (UL94V-0)
Spring	Stainless steel/ None
D-SW contact	Plating: Compliant to finish of signal contact
Lock	Stainless steel/ None
Cam follower	Stainless steel/ None

Ordering Information



Part Number	SJ Drawing
ST5S014V4A	SJ107381

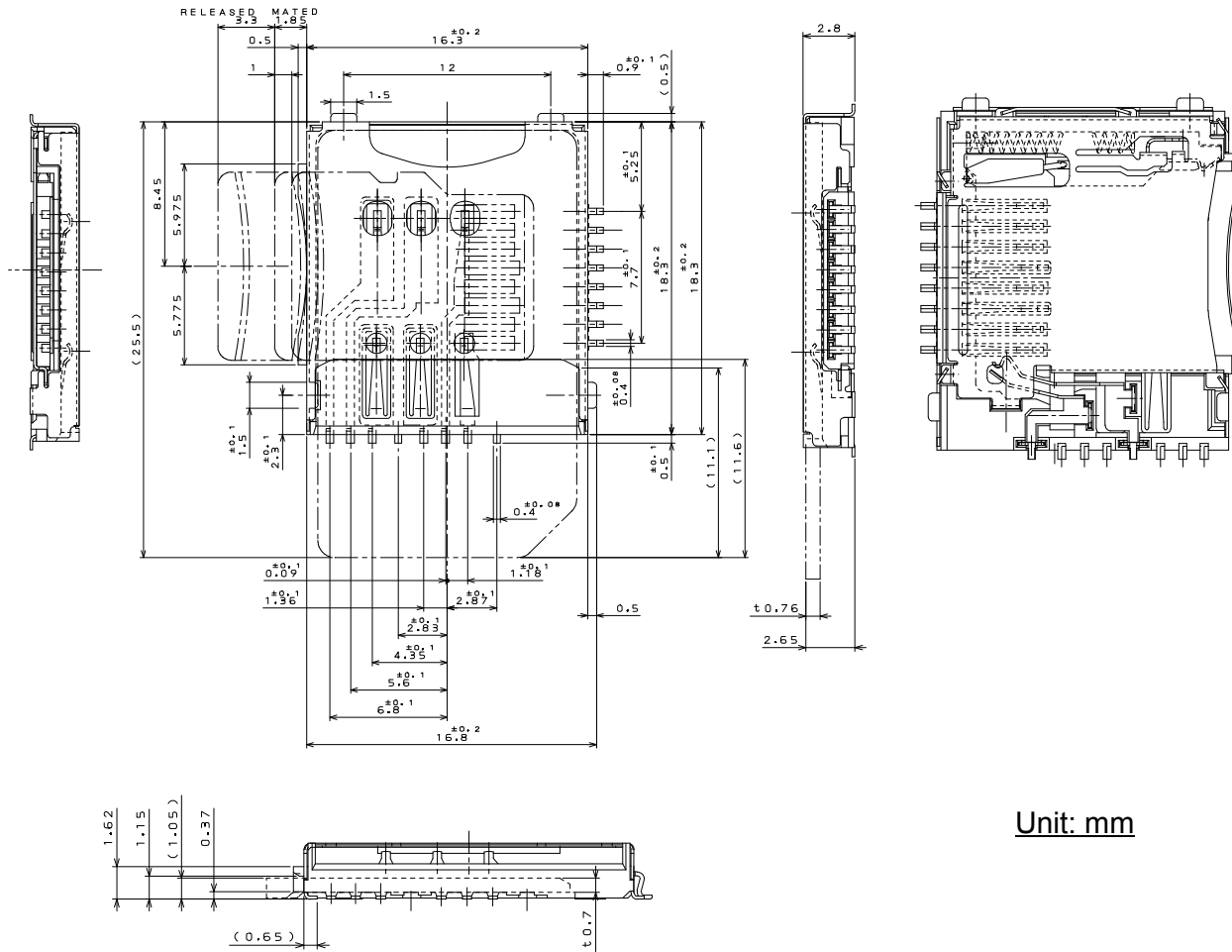
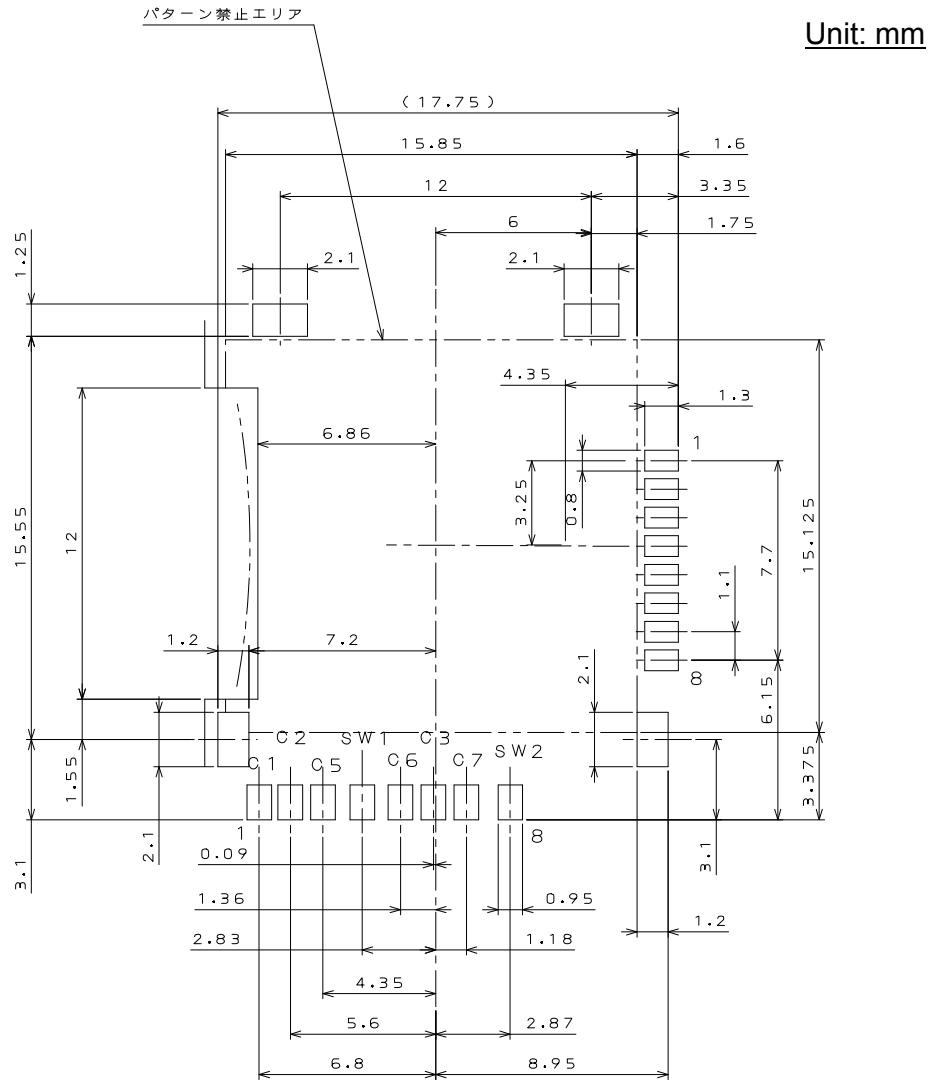


TABLE 1. CIRCUIT (REF.)

	WITHOUT CARD	CARD INSERTED
DETECTION SWITCH		



Applicable board dimensions
(for reference)

Note) An embossed tape reel contains 800 pcs.

Please contact us for details on embossed tape specifications.

Notice: Products shown in this leaflet are made for the applications listed below. However, if the above-mentioned products are to be used in aerospace devices, marine cable-connection devices, atomic power control systems, medical equipment for life-support systems, or any other specific application requiring extremely high reliability, please contact JAE for further information.

Recommended applications: computers, office machines, measuring devices, telecommunication devices (terminals, mobile devices), AV devices, household applications, FA devices, etc.

Japan Aviation Electronics Industry, Limited

Product Marketing Division
Aobadai Building, 3-1-19, Aobadai, Meguro-ku, Tokyo 153-8539
Phone: +81-3-3780-2787 FAX: +81-3-3780-2946