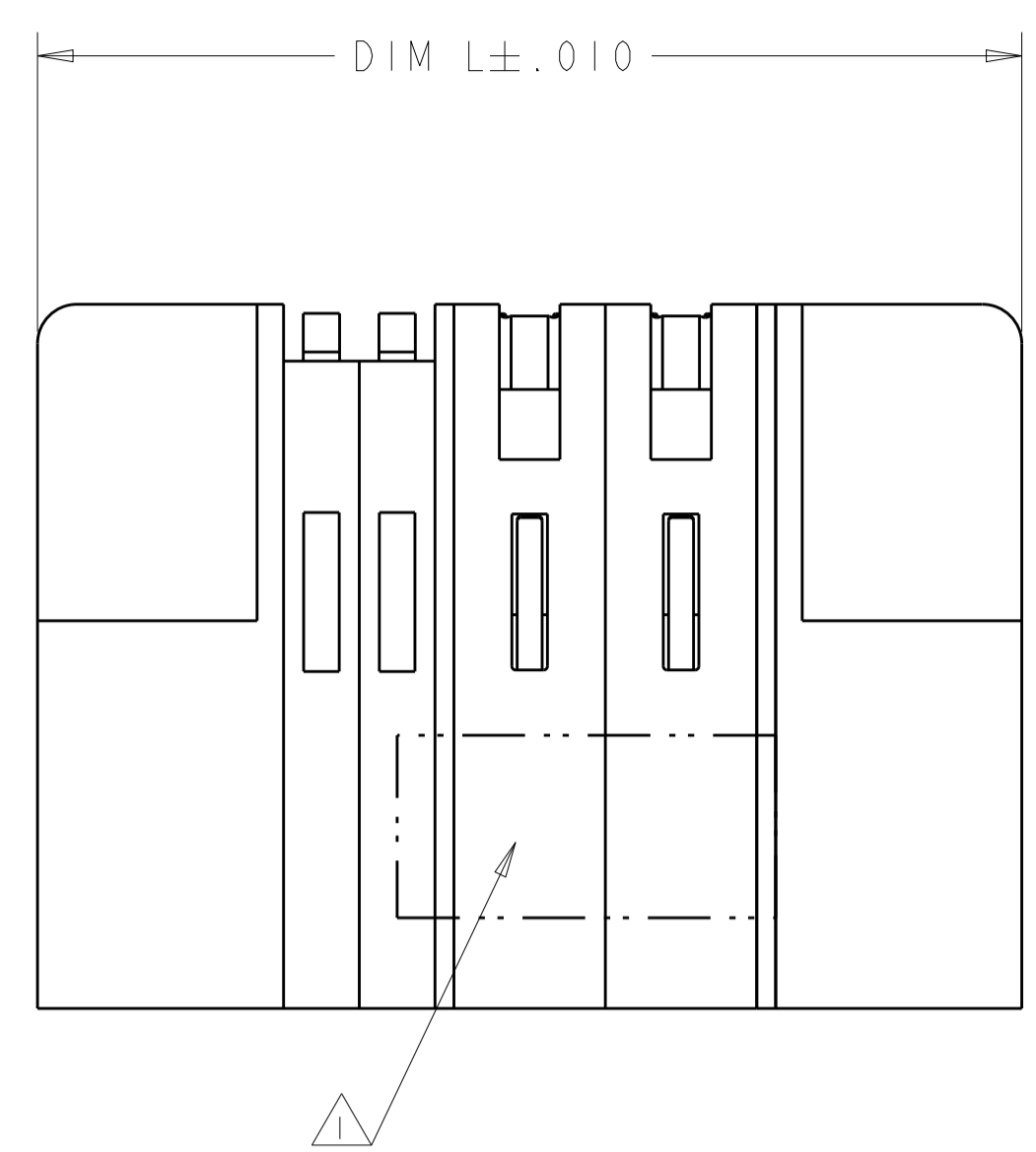
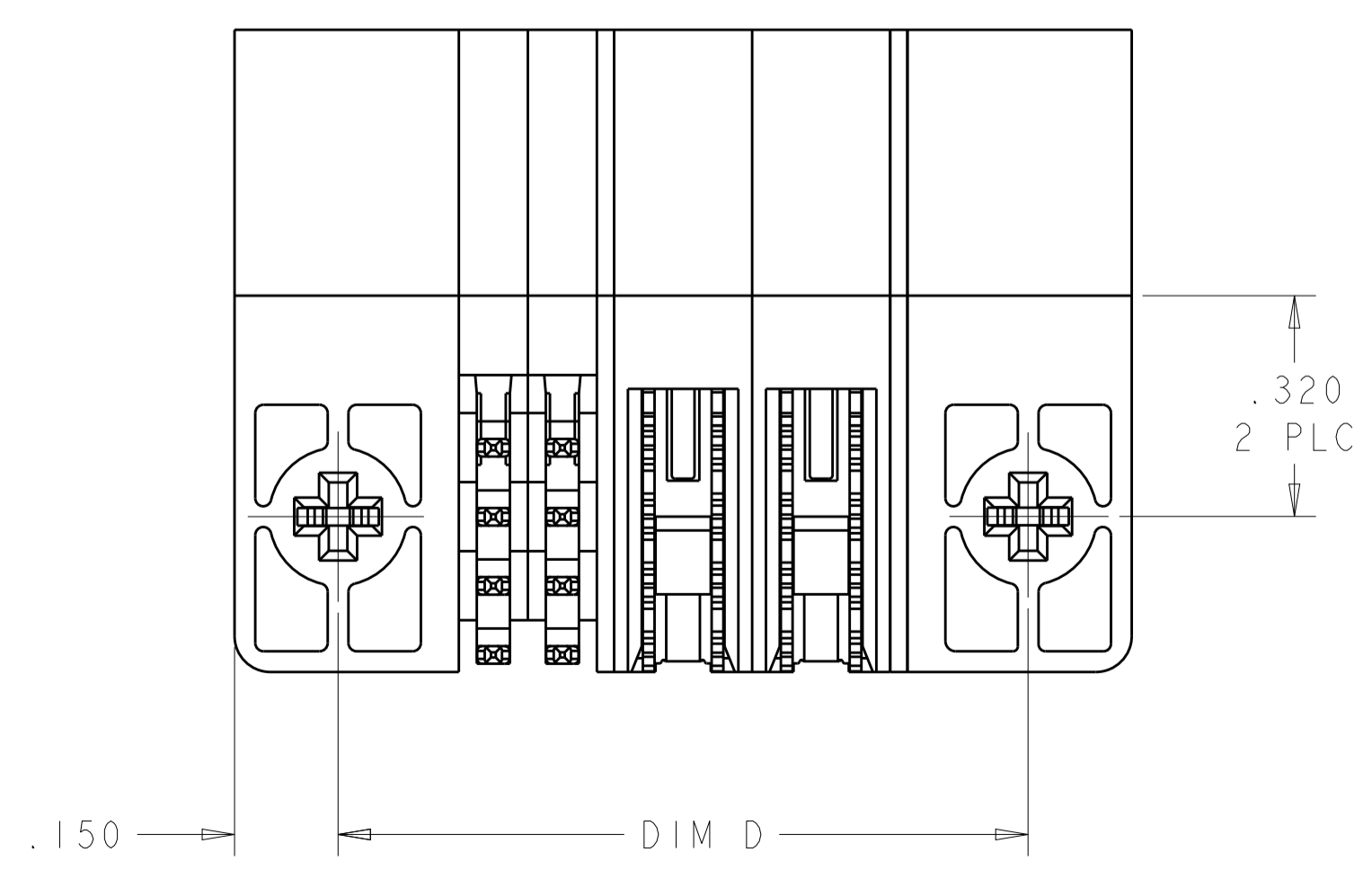
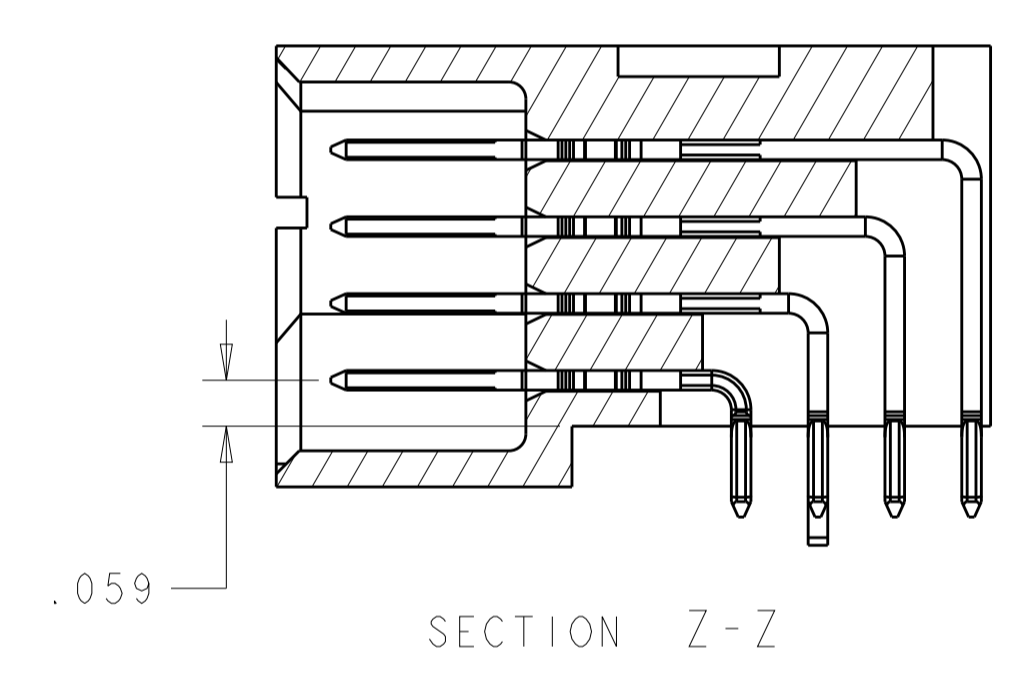
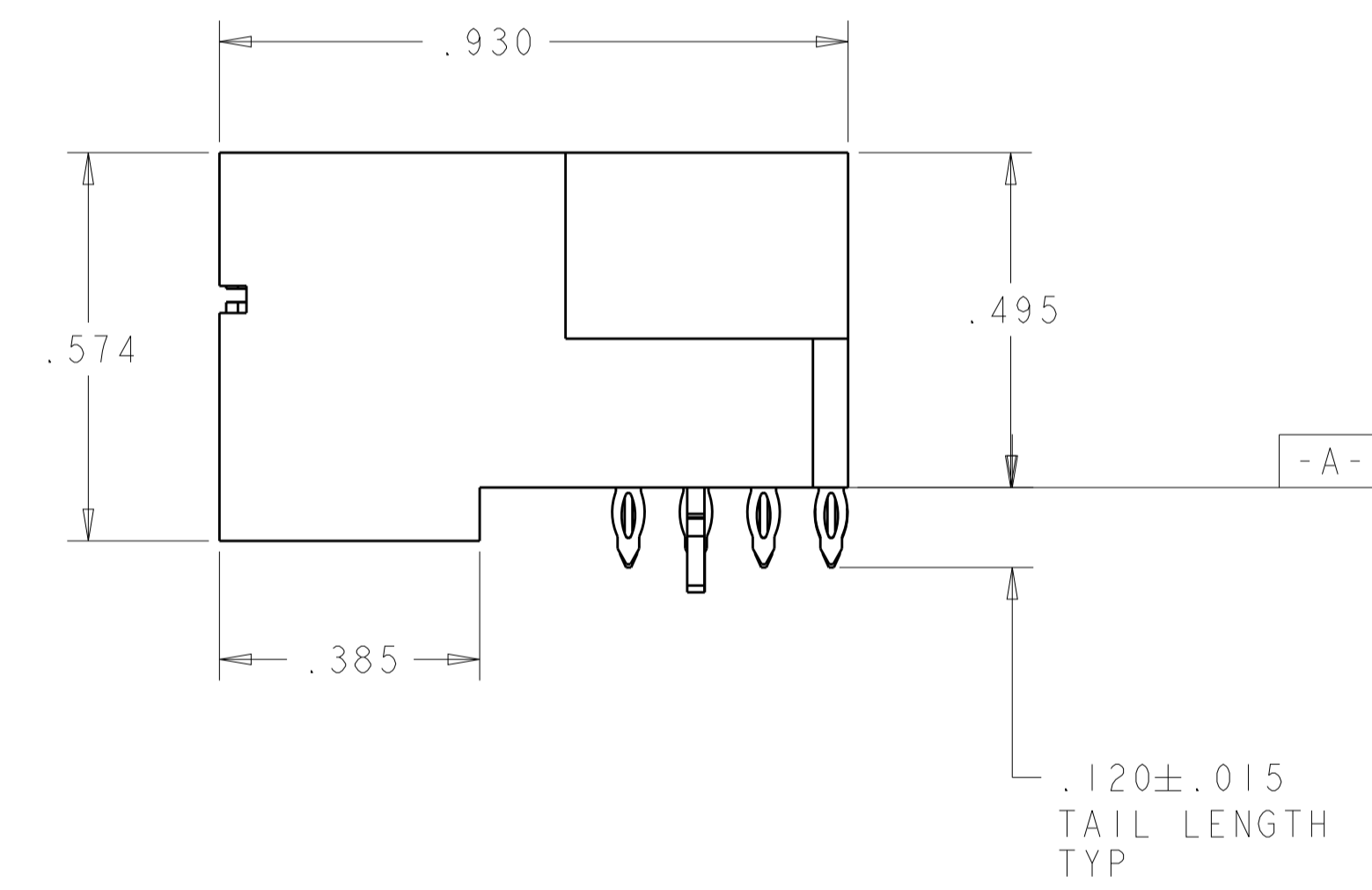
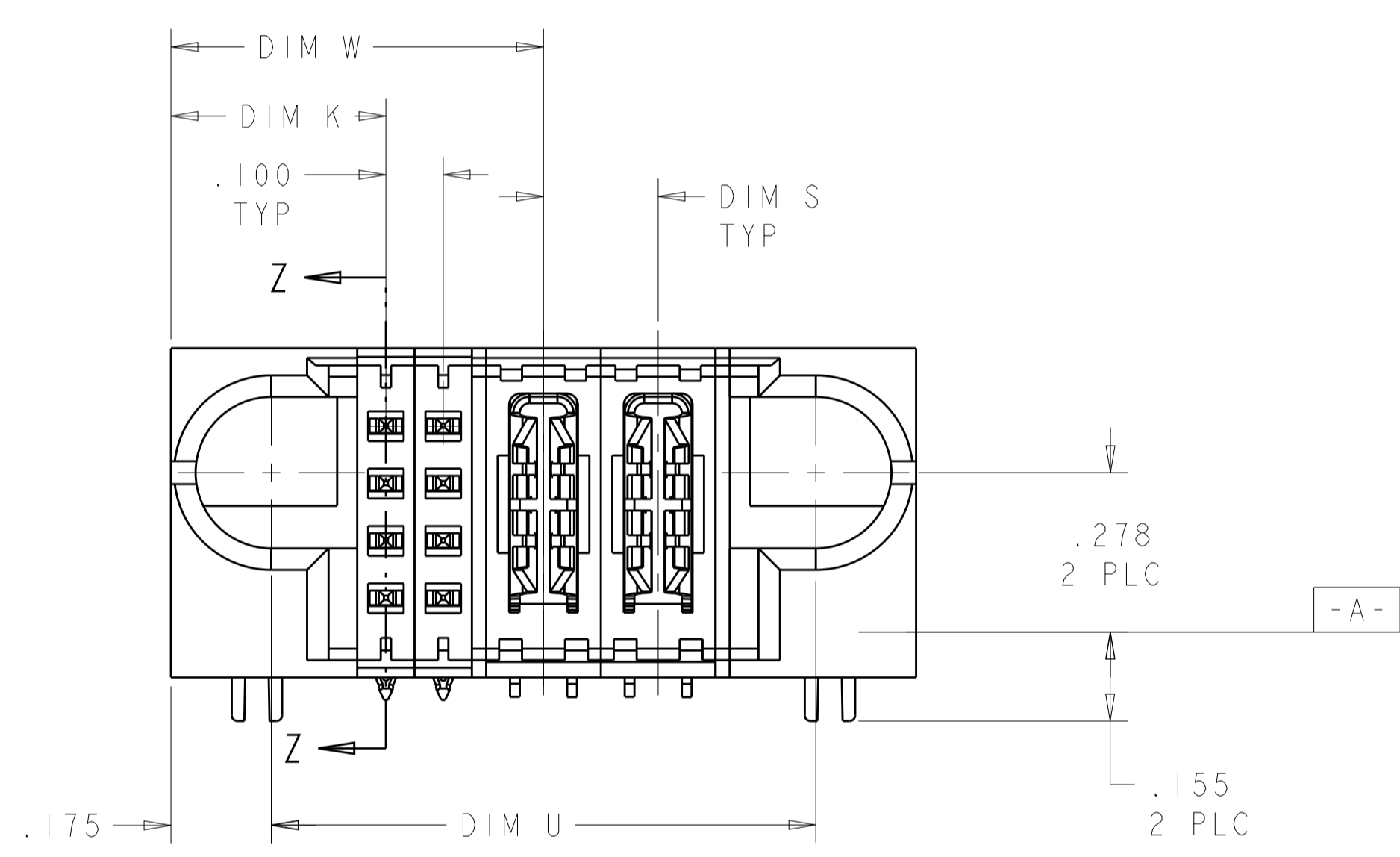


LOC		DIST		REVISIONS			
P	LTN	DESCRIPTION	DATE	DWN	APVD		
A		REV PER ECR-07-000484	11JAN2007	CZ	SY		
A1		ADDED NEW DASH NUMBER -3 AND -4	24SEP2012	CZ	SZ		



- 1 PART NUMBER, AND DATE CODE MARKED IN AREA SHOWN. MARKING ON BOTH SIDES PERMITTED FOR PARTS UNDER 2.00 LONG.
- 2 MATERIAL:
 HOUSING - GLASS FILLED HIGH TEMP THERMO PLASTIC, UL94 V-0
 SIGNAL CONTACT - COPPER ALLOY
 POWER CONTACT - HIGH CONDUCTIVITY COPPER ALLOY
- 3 CONTACT PLATING: NOBLE METAL PLATING ON CONTACT FUNCTIONAL AREA OF POWER AND SIGNAL CONTACTS
- 4 MECHANICAL CONNECTOR KEEP OUT ZONE.
- 5 DATUM AND BASIC DIMENSIONS ESTABLISHED BY CUSTOMER.
- 6 PCB - ALL HOLE DIAMETERS ARE FINISHED HOLE SIZES.
- 7 PCB - $.0453 \pm .0010$ DRILLED HOLES PLATED WITH $.0003$ MIN Sn OVER $.001$ TO $.003$ Cu PLATING TO ACHIEVE A $.040$ HOLE.



.250	1.775	.925	1.825	2.125	.425	16S + 4P	6450521-4
.250	1.675	.825	1.725	2.025	.425	12S + 4P	6450521-3
.200	1.750	.650	1.800	2.100	.375	8S + 6HDP	6450521-2
.200	.950	.650	1.000	1.300	.375	8S + 2HDP	6450521-1
DIM S	DIM U	DIM W	DIM D	DIM L	DIM K	DESCRIPTION	PART NUMBER

THIS DRAWING IS A CONTROLLED DOCUMENT. DWN C. ZHOU 04JAN2007
 CHK S. ZHAO 04JAN2007
 APVD S. YAO

DIMENSIONS: INCHES
 TOLERANCES UNLESS OTHERWISE SPECIFIED:
 0 PLC $\pm .1$
 1 PLC $\pm .01$
 2 PLC $\pm .005$
 3 PLC $\pm .002$
 4 PLC $\pm .002$
 ANGLES $\pm .2$

MATERIAL FINISH

PRODUCT SPEC 108-1973
 APPLICATION SPEC 114-13038
 WEIGHT
 CUSTOMER DRAWING

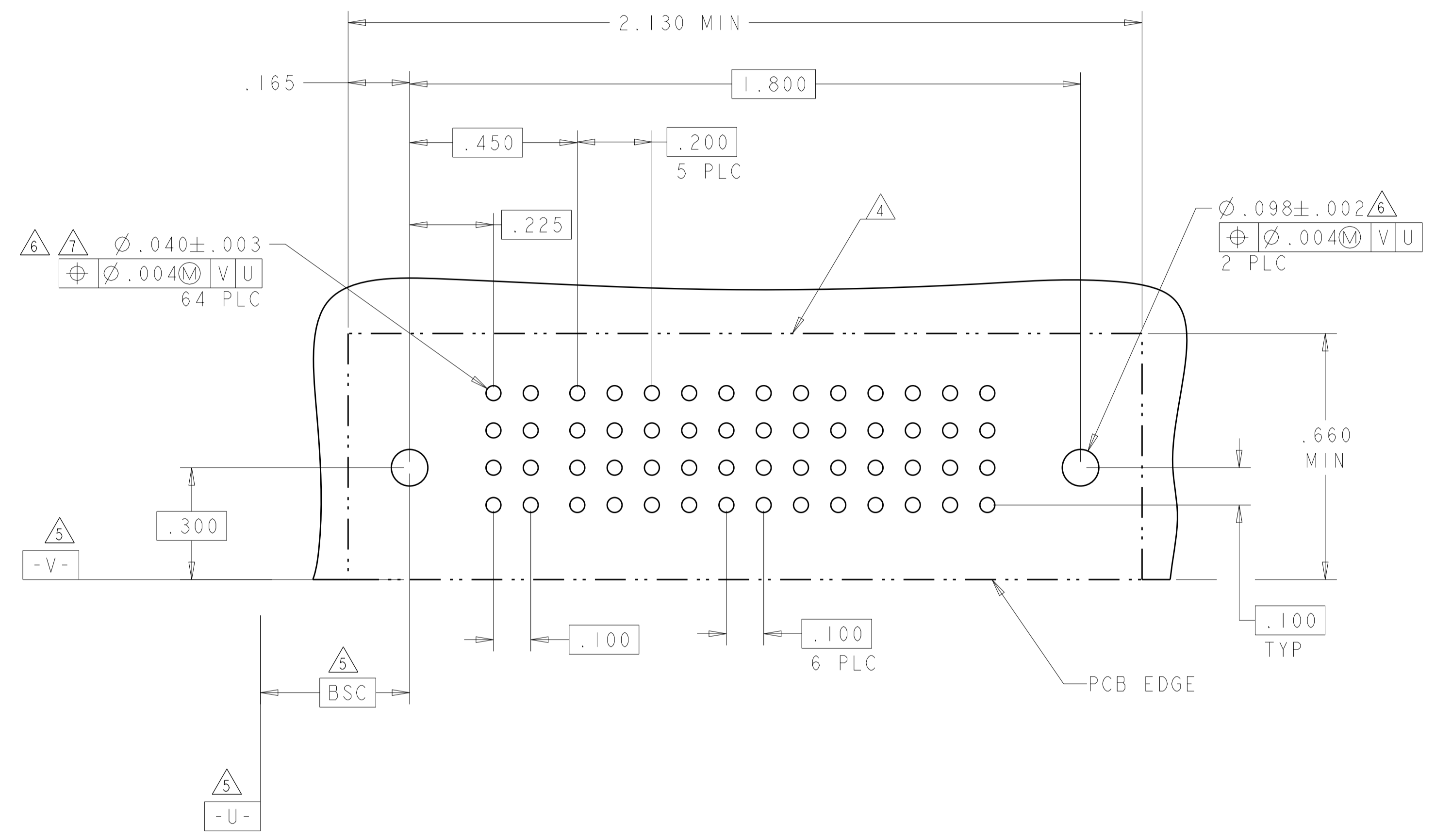
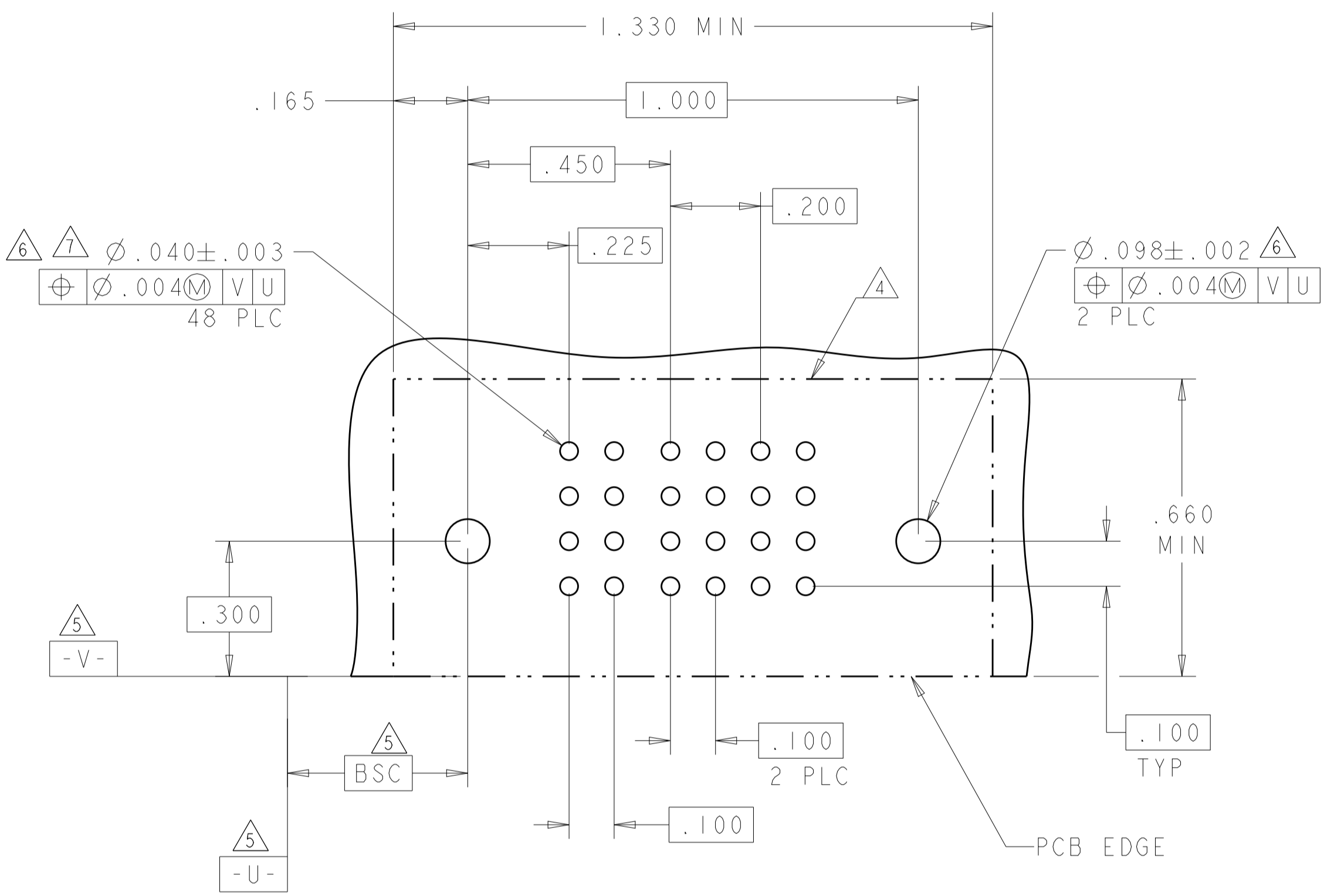
NAME: RIGHT ANGLE HEADER MULTI-BEAM XL, SIG-PWG W/GUIDES HOLD DOWNS, PRESS FIT
 SIZE: A1
 CAGE CODE: 6450521
 DRAWING NO: 100779
 SCALE: 4:1
 SHEET 1 OF 3
 REV A1

STE TE Connectivity

LOC	DIST	REV	DATE	BY	APPV
ES	00				
DESCRIPTION			DATE	BY	APPV
SEE SHEET 1					

PART NUMBER	ROWS	SIGNAL		POWER	
		1	2	P1	P2
6450521-1	D	Z5	Z5	PT	PT
	C	Y5	Y5	PT	PT
	B	R5	R5	PT	PT
	A	O5	O5	PT	PT
8S + 2HDP					

PART NUMBER	ROWS	SIGNAL		POWER						
		1	2	P1	P2	P3	P4	P5	P6	
6450521-2	D	Z5	Z5	PT	PT	PT	PT	PT	PT	
	C	Y5	Y5	PT	PT	PT	PT	PT	PT	
	B	R5	R5	PT	PT	PT	PT	PT	PT	
	A	O5	O5	PT	PT	PT	PT	PT	PT	
8S + 6HDP										



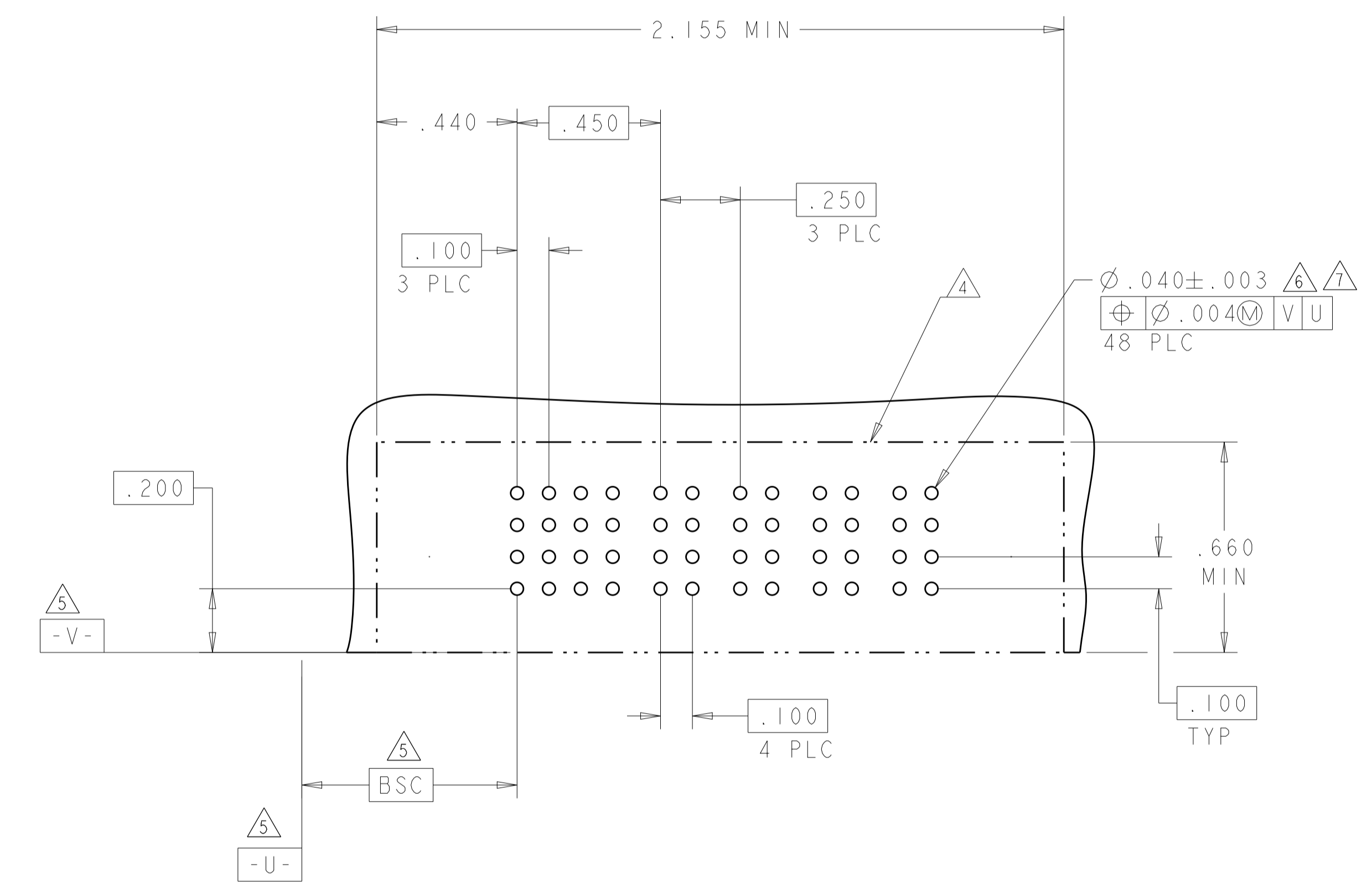
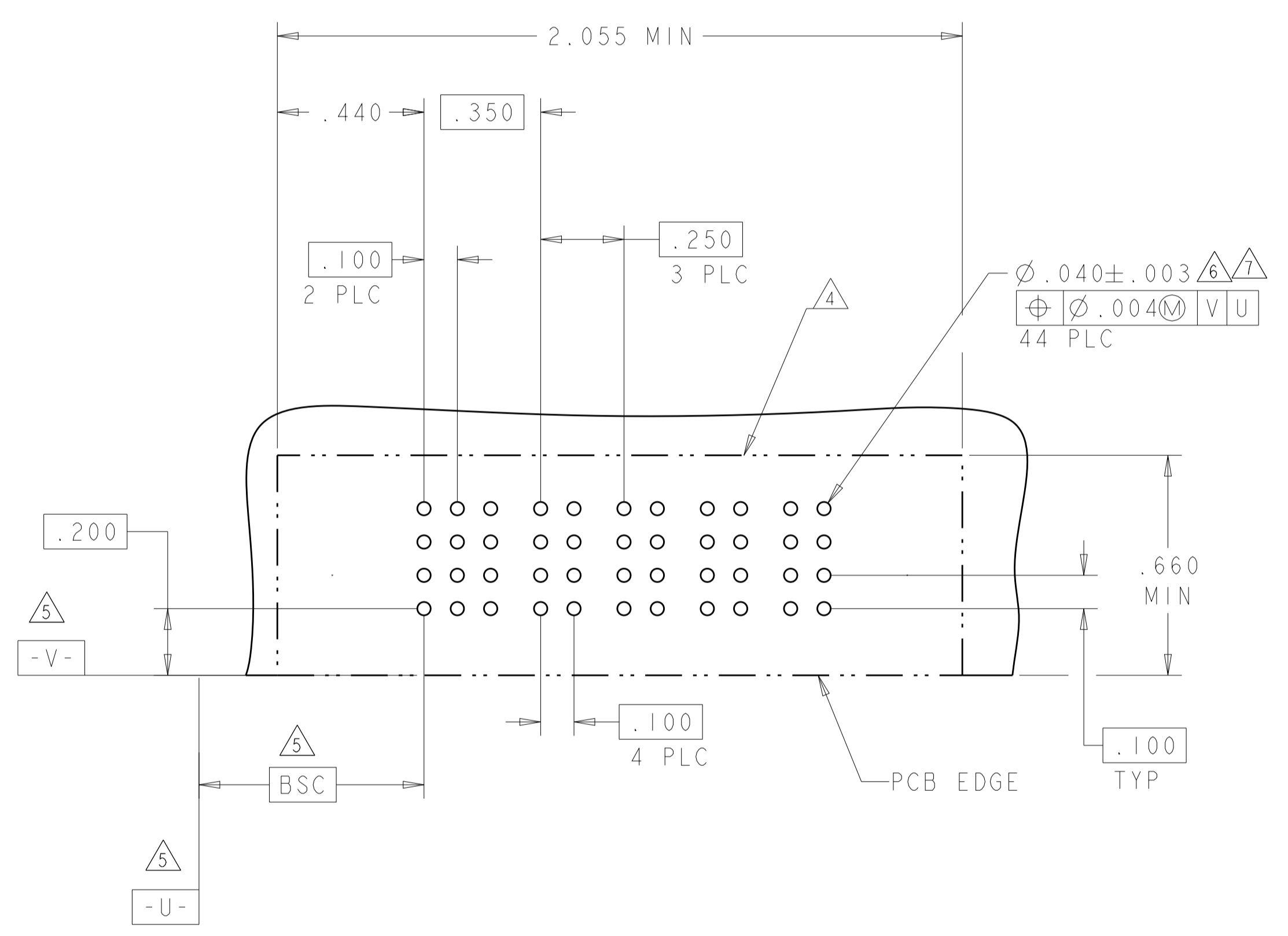
CODE	MATING SEQUENCE	ROW
Z5	STD	D
Y5	STD	C
R5	STD	B
O5	STD	A

THIS DRAWING IS A CONTROLLED DOCUMENT.		DWN C. ZHOU CHK S. ZHAO	04JAN2007	TE Connectivity
DIMENSIONS: INCHES		APVD S. YAO		
TOLERANCES UNLESS OTHERWISE SPECIFIED:		NAME		RIGHT ANGLE HEADER MULTI-BEAM XL, SIG-PWG W/GUIDES HOLD DOWNS, PRESS FIT
0 PLC ±.1		PRODUCT SPEC		
2 PLC ±.01		APPLICATION SPEC		SIZE
3 PLC ±.005		CAGE CODE		A100779
4 PLC ±.0020		DRAWING NO		6450521
ANGLES #2		RESTRICTED TO		
MATERIAL		WEIGHT		
FINISH		CUSTOMER DRAWING		SCALE 4:1 SHEET 2 OF 3 REV A1

LOC	DIST	REVISIONS			
P	LTN	DESCRIPTION	DATE	DMN	APVD
ES	00	SEE SHEET 1			

PART NUMBER	ROWS	SIGNAL			POWER			
		1	2	3	P1	P2	P3	P4
6450521-3	D	Z5	Z5	Z5	PT	PT	PT	PT
	C	Y5	Y5	Y5				
	B	R5	R5	R5				
	A	O5	O5	O5				
12S + 4P								

PART NUMBER	ROWS	SIGNAL				POWER			
		1	2	3	4	P1	P2	P3	P4
6450521-4	D	Z5	Z5	Z5	Z5	PT	PT	PT	PT
	C	Y5	Y5	Y5	Y5				
	B	R5	R5	R5	R5				
	A	O5	O5	O5	O5				
16S + 4P									



THIS DRAWING IS A CONTROLLED DOCUMENT.

DIMENSIONS: INCHES	TOLERANCES UNLESS OTHERWISE SPECIFIED: 0 PLC ±.1 1 PLC ±.01 2 PLC ±.01 3 PLC ±.005 4 PLC ±.0020 ANGLES ±.2	DMN: C.ZHOU 04JAN2007 CHK: S.ZHAO 04JAN2007 APVD: S.YAO	NAME: RIGHT ANGLE HEADER MULTI-BEAM XL, SIG-PWG W/GUIDES HOLD DOWNS, PRESS FIT
MATERIAL: -	FINISH: -	PRODUCT SPEC: 108-1973 APPLICATION SPEC: 114-13038 WEIGHT: -	SIZE: A1 CAGE CODE: 6450521 DRAWING NO: 6450521
CUSTOMER DRAWING		SCALE: 4:1	SHEET 3 OF 3 REV: A1

4805 (3/11)