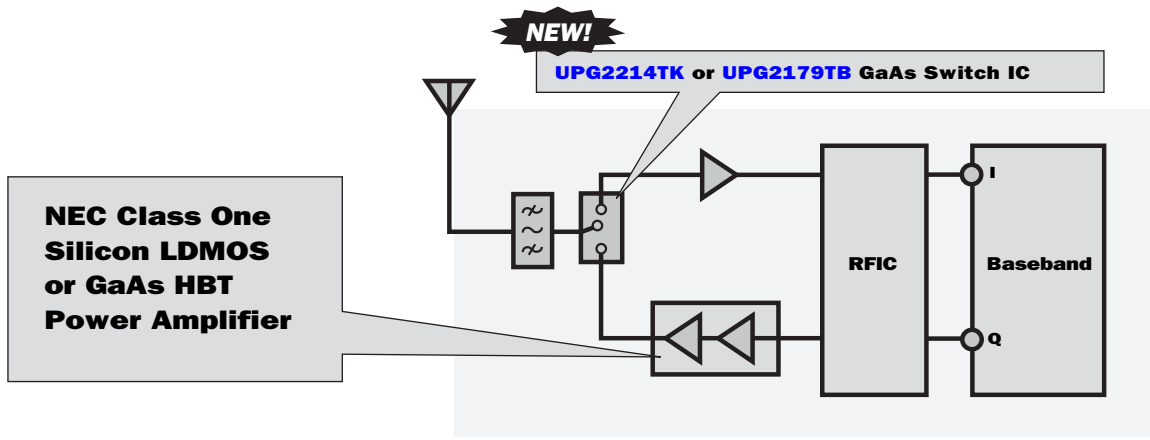


# Class 1 Power Amplifiers for Bluetooth.....

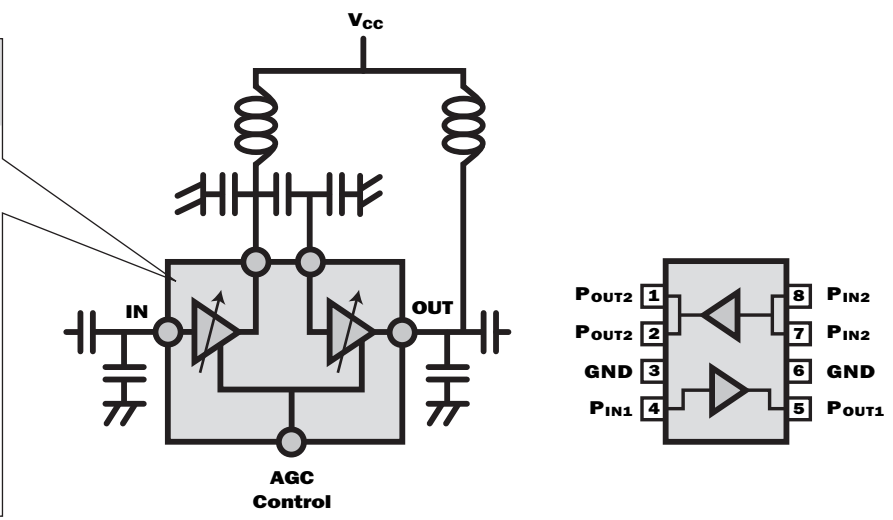


**NEW!**

**Low Cost Silicon LDMOS**

**UPD5702TU**  
MMIC Power Amplifier

- Output Power = 21 dBm
- Two Stage Device
- Supply Voltage = 3.0V
- $I_{CC} = 155 \text{ mA typ @ } +21 \text{ dBm } P_{OUT}$
- Gain = 26 dB typ
- 8 pin L2MM package:  
2.2 x 2.2 x 0.5 (mm)



**Highly Integrated GaAs HBT**

**UPG2301TQ**  
MMIC Power Amplifier

- Output Power = 23 dBm
- Supply Voltage = 3.3V
- $I_{CC} = 120 \text{ mA typ @ } +23 \text{ dBm } P_{OUT}$
- Gain = 20 dB typ
- Gain Control = 23 dB
- Power Down Feature
- 10 pin TSON package:  
2.40 x 2.55 x 0.6 max (mm)

