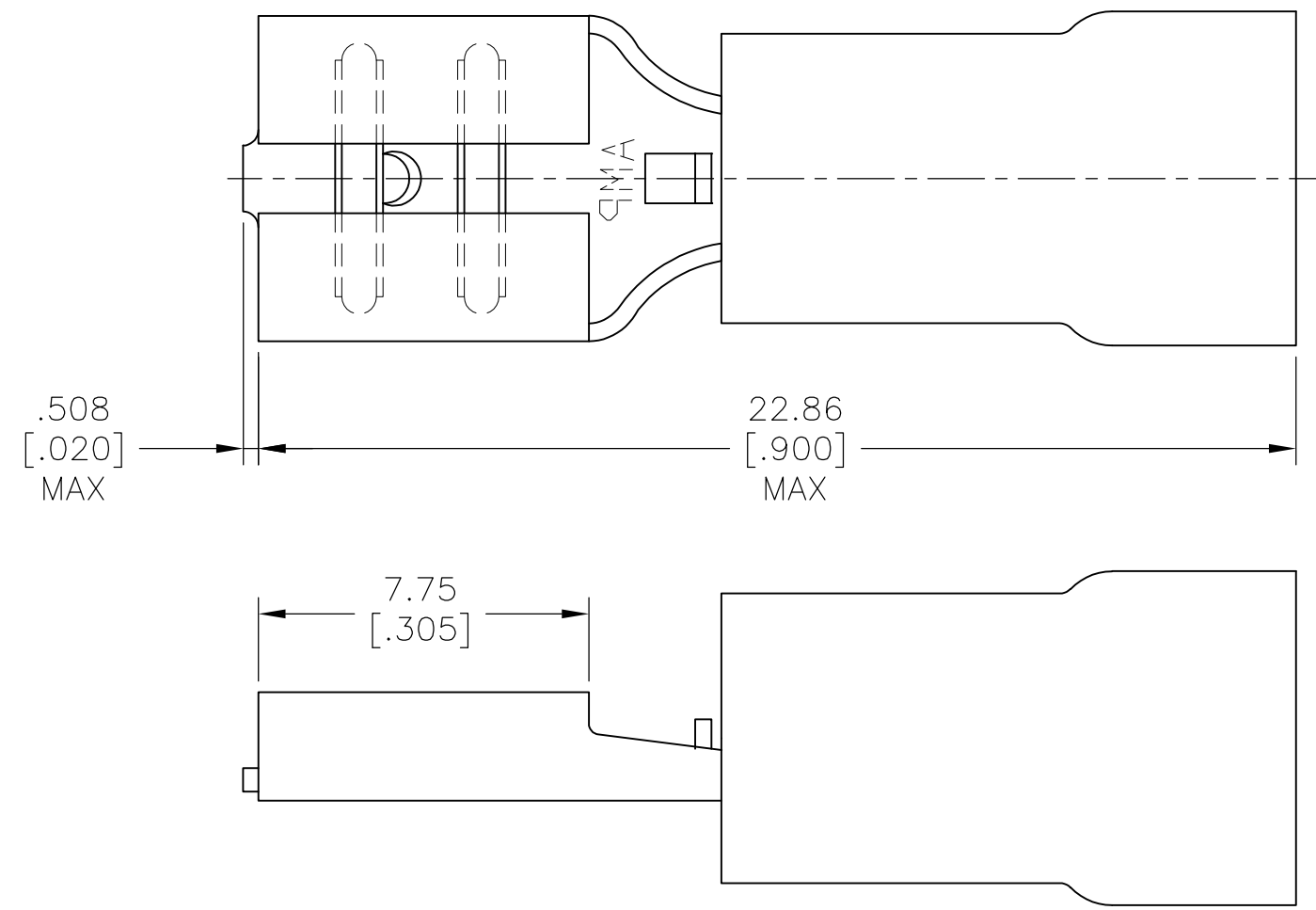


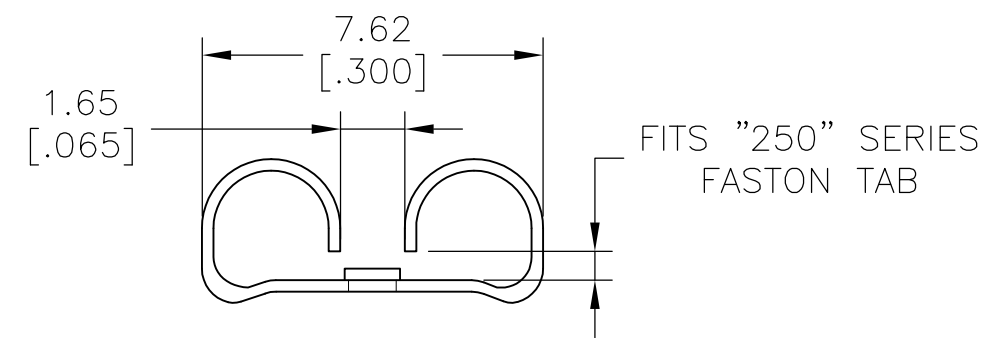
THIS DRAWING IS UNPUBLISHED. RELEASED FOR PUBLICATION
 © COPYRIGHT - By - ALL RIGHTS RESERVED.

REVISIONS					
P	LTR	DESCRIPTION	DATE	DWN	APVD
	J2	REVISED PER ECO-11-004587	11MAR11	RK	HMR
	J3	REVISED PER ECR-17-001564	23FEB2017	RS	DR



AMP WIRE RANGE	FILE E66717	LR7189 Certified
22-18 AWG STRANDED	22-18 AWG STRANDED	22-18 AWG STRANDED

- 1 INSULATION DIA .140 MAX.
- 2 FITS TAB .032 THK.
- 3 MATERIAL: BODY, BRASS PER ASTM B36, 0.46±0.05[.018±.002]
SLEEVE: COPPER PER ASTM B152
INSULATION: NYLON PER ASTM D4066.
- 4 FINISH: BODY & SLEEVE TIN PLATE 0.00254[.000100] MIN EXT THK PER ASTM B545.



100	LOOSE PC,BOX	8-640903-1
4000	TAPE MOUNTED	640903-2
1000	LOOSE PIECE	640903-1
QTY	PACKAGE TYPE	PART NO

AMP INCORPORATED CUSTOMER SERVICE SYSTEMS		MAX RECOMMENDED OPERATING TEMPERATURE: 105°C [221°F]	THIS DRAWING IS A CONTROLLED DOCUMENT.		DWN L OLMEDA 26JUN95	TE Connectivity			
FOR ADDITIONAL PRODUCT INFORMATION OR COPIES OF DRAWINGS AND TECHNICAL DOCUMENTS	PRODUCT INFORMATION CENTER 1-800-522-6752	VOLTAGE RATING: 300V MAX	DIMENSIONS: mm [INCHES]	TOLERANCES UNLESS OTHERWISE SPECIFIED:	CHK M ELLIS 26JUN95				NAME RECEPTACLE, 250 SERIES, FASTON , PIDG , 22-18
FOR APPLICATION TOOLING INFORMATION	TOOLING ASSISTANCE CENTER 1-800-722-1111	CIRCULAR MIL AREA: 0.26-0.96mm²[509-1,900] STRANDED		0 PLC ± - 1 PLC ± - 2 PLC ± .38[.02] 3 PLC ± .127[.005] 4 PLC ± - ANGLES ± -	APVD B BARE 26JUN95	PRODUCT SPEC UL 310			
FOR ORDER ENTRY	1-800-526-5142	THIS DRAWING IS A CONTROLLED DOCUMENT FOR AMP INCORPORATED. IT IS SUBJECT TO CHANGE AND THE CONTROLLING ENGINEERING ORGANIZATION SHOULD BE CONTACTED FOR THE LATEST REVISION.	MATERIAL	FINISH	APPLICATION SPEC 114-1002	SIZE A3	CAGE CODE 00779	DRAWING NO C-640903	RESTRICTED TO -
					WEIGHT -	SCALE 6:1		SHEET 1 OF 1	REV J3