

SN65HVDA100-Q1 LIN Physical Interface

1 Features

- Qualified for Automotive Applications
- Local Interconnect Network (LIN) Physical Layer Specification Revision 2.1 Compliant and Conforms to SAEJ2602 Recommended Practice for LIN
- Extended Operation With Supply From 5 V to 27 V DC (LIN Specification 7 V to 18 V)
- LIN Transmit Speed up to 20-kbps LIN Specified Maximum, High-Speed Receive Capable
- Sleep Mode: Ultra-Low Current Consumption Allows Wake-Up Events From: LIN Bus, Wake-Up Input (External Switch) or Host MCU
- Wake-Up Request on RXD Pin
- Wake-Up Source Recognition on TXD Pin
- Interfaces to MCU With 5-V or 3.3-V I/O Pins
- High Electromagnetic Compatibility (EMC)
- Control of External Voltage Regulator (INH Pin)
- Supports ISO9141 (K-Line) -Like Functions
- ESD Protection to ± 12 kV (Human Body Model) on LIN Pin
- LIN Pin Handles Voltage From -27 V to 45 V (Short to Battery or Ground)
- Survives Transient Damage in Automotive Environment (ISO 7637)
- Undervoltage Protection on V_{SUP}
- TXD Dominant State Time-Out Protection
- Prevention of False Wakeups With Bus Stuck Dominant Fault
- Thermal Shutdown
- Unpowered Node or Ground Disconnection Failsafe at System Level, Node Does Not Disturb Bus (No Load on Bus)

2 Applications

- Automotive
- Industrial Sensing
- White Goods Distributed Control

3 Description

The SN65HVDA100 device is the Local Interconnect Network (LIN) physical interface, which integrates the serial transceiver with wakeup and protection features. The LIN bus is a single-wire bidirectional bus typically used for low-speed in-vehicle networks using data rates from 2.4 kbps to 20 kbps. The LIN protocol output data stream on TXD is converted by the SN65HVDA100 into the LIN bus signal through a current-limited wave-shaping driver as outlined by the LIN Physical Layer Specification. The receiver converts the data stream from the LIN bus and outputs the data stream through RXD. The LIN bus has two states: dominant state (voltage near ground) and recessive state (voltage near battery). In the recessive state, the LIN bus is pulled high by the internal pullup resistor (30 k Ω) and series diode, so no external pullup components are required for slave applications. Master applications require an external pullup resistor (1 k Ω) plus a series diode per the LIN specification.

Device Information⁽¹⁾

PART NUMBER	PACKAGE	BODY SIZE (NOM)
SN65HVDA100-Q1	SOIC (8)	4.90 mm x 3.91 mm

(1) For all available packages, see the orderable addendum at the end of the data sheet.

SN65HVDA100-Q1 Block Diagram

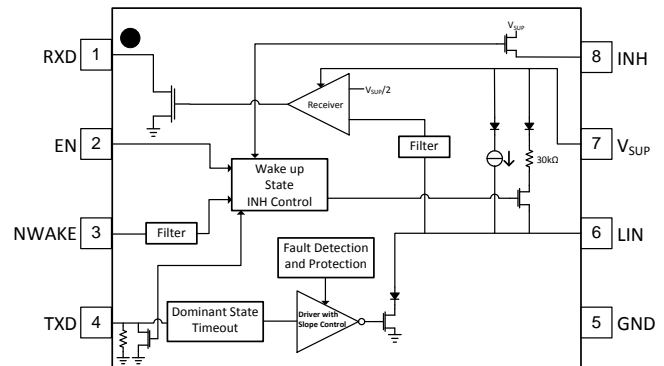


Table of Contents

1 Features 1 2 Applications 1 3 Description 1 4 Revision History 2 5 Description (continued) 3 6 Pin Configuration and Functions 3 7 Specifications 4 7.1 Absolute Maximum Ratings 4 7.2 ESD Ratings..... 4 7.3 Recommended Operating Conditions 4 7.4 Thermal Information 4 7.5 Electrical Characteristics..... 5 7.6 Switching Characteristics 7 7.7 Dissipation Ratings 8 7.8 Typical Characteristics 11 8 Parameter Measurement Information 11 9 Detailed Description 12	9.1 Overview 12 9.2 Functional Block Diagram 12 9.3 Feature Description 12 9.4 Device Functional Modes..... 16 10 Application and Implementation 18 10.1 Application Information..... 18 10.2 Typical Application 18 11 Power Supply Recommendations 21 12 Layout 21 12.1 Layout Guidelines 21 12.2 Layout Example 22 13 Device and Documentation Support 23 13.1 Community Resources..... 23 13.2 Trademarks 23 13.3 Electrostatic Discharge Caution..... 23 13.4 Glossary 23 14 Mechanical, Packaging, and Orderable Information 23
---	--

4 Revision History

NOTE: Page numbers for previous revisions may differ from page numbers in the current version.

Changes from Revision B (January 2014) to Revision C	Page
<ul style="list-style-type: none"> • Added <i>Pin Configuration and Functions</i> section, <i>ESD Ratings</i> table, <i>Feature Description</i> section, <i>Device Functional Modes</i>, <i>Application and Implementation</i> section, <i>Power Supply Recommendations</i> section, <i>Layout</i> section, <i>Device and Documentation Support</i> section, and <i>Mechanical, Packaging, and Orderable Information</i> section 1 	1

Changes from Revision A (January 2013) to Revision B	Page
<ul style="list-style-type: none"> • Ordered PIN ASSIGNMENTS table alphabetically by pin name 3 • Added new Mode Transitions section, including a new figure 18 • Revised the application schematic diagram 19 	19

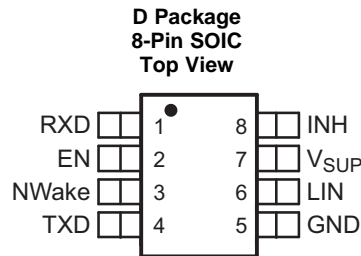
Changes from Original (November 2011) to Revision A	Page
<ul style="list-style-type: none"> • Deleted -03V to 45V from the 1.5 row in the abs max table, units column 4 • Changed added Delta and corrected Hysteresis in elec chara table, row 4.4 and changed the TYP column from 4.5 to 0.2 5 • Deleted rows 9.1 and 9.2 from the elec chara table..... 6 • Added Minimum to the statement in parens in front of dominant, row 11.9 of elec chara table 7 	7

5 Description (continued)

In sleep mode, low quiescent current is needed even though the wake-up circuits remain active and allow for remote wake up through the LIN bus or local wake up through the NWake or EN pins.

The SN65HVDA100 has been designed for operation in the harsh automotive environment. The device also prevents back-feed current through LIN to the supply input in case of a ground shift or supply voltage disconnection. The device also features undervoltage, overtemperature, and loss-of-ground protection. In the event of a fault condition, the transmitter is immediately switched off and remains off until the fault condition is removed.

6 Pin Configuration and Functions



Pin Functions

PIN		TYPE	DESCRIPTION
NAME	NO.		
EN	2	I	Enable input
GND	5	GND	Ground
INH	8	O	Inhibit controls external voltage regulator with inhibit input
LIN	6	I/O	LIN bus single-wire transmitter and receiver
NWake	3	I	High-voltage input for device wake up
RXD	1	O	RXD output (open-drain) interface reporting state of LIN bus voltage
TXD	4	I	TXD input interface to control state of LIN output
V _{SUP}	7	Supply	Device supply voltage (connected to battery in series with external reverse blocking diode)

7 Specifications

7.1 Absolute Maximum Ratings⁽¹⁾⁽²⁾

		MIN	MAX	UNIT
V _{SUP}	Supply line supply voltage (LIN 2.1 Param 11)	-0.3	45	V
V _{LIN}	LIN input voltage	-27	45	V
V _{NWAKE} E	NWake input voltage (through serial resistor ≥ 2 kΩ)	-0.3	45	V
I _O	Output current	-50	2	mA
V _{INH}	INH voltage	-0.3	V _{sup} + 0.3	V
V _{Logic}	Logic pin voltage	-0.3	5.5	V
	RXD, TXD, EN			
T _A	Operational free-air (ambient) temperature	-40	125	°C
T _J	Junction temperature	-40	150	°C
T _{LEAD}	Lead temperature (soldering, 10 seconds)		260	°C
T _{stg}	Storage temperature	-65	150	°C

- (1) Stresses beyond those listed under *Absolute Maximum Ratings* may cause permanent damage to the device. These are stress ratings only, which do not imply functional operation of the device at these or any other conditions beyond those indicated under *Recommended Operating Conditions*. Exposure to absolute-maximum-rated conditions for extended periods may affect device reliability.
- (2) All voltage values are with respect to GND.

7.2 ESD Ratings

			VALUE	UNIT	
V _(ESD)	Electrostatic discharge	Human body model (HBM), per AEC Q100-002 ⁽¹⁾	All pins	±4000	V
			LIN bus pin ⁽²⁾	±12000	
			NWake pin ⁽³⁾	±11000	
		Charged device model (CDM), per AEC Q100-011	±1500		

- (1) AEC Q100-002 indicates that HBM stressing shall be in accordance with the ANSI/ESDA/JEDEC JS-001 specification.
- (2) Test method based upon AEC-Q100-002, LIN bus pin stressed with respect to GND.
- (3) Test method based upon AEC-Q100-002, NWake pin stressed with respect to GND.

7.3 Recommended Operating Conditions

		MIN	MAX	UNIT
V _{SUP}	Supply line supply voltage (LIN 2.1 Param 10)	5	27	V
V _{LIN}	LIN input voltage	0	18	V
V _{NWAKE}	NWake input voltage	0	27	V
V _{INH}	INH voltage	0	27	V
V _{Logic}	Logic voltage	0	5.25	V
T _A	Operational free-air temperature (see Thermal Information)	-40	125	°C

7.4 Thermal Information

THERMAL METRIC ⁽¹⁾		SN65HVDA100-Q1		UNIT
		D (SOIC)		
		8 PINS		
R _{θJA}	Junction-to-ambient thermal resistance	112.5		°C/W
R _{θJC(top)}	Junction-to-case (top) thermal resistance	66.3		°C/W
R _{θJB}	Junction-to-board thermal resistance	52.9		°C/W
ψ _{JT}	Junction-to-top characterization parameter	19.3		°C/W
ψ _{JB}	Junction-to-board characterization parameter	52.4		°C/W

- (1) For more information about traditional and new thermal metrics, see the *Semiconductor and IC Package Thermal Metrics* application report, [SPRA953](#).

7.5 Electrical Characteristics

 $V_{SUP} = 5V$ to $27V$, $T_J = -40^{\circ}C$ to $150^{\circ}C$ (unless otherwise noted)

PARAMETER		TEST CONDITIONS	MIN	TYP ⁽¹⁾	MAX	UNIT	
V_{SUP} SUPPLY							
V _{SUP}	Operational supply voltage (LIN 2.1 Param 10) ⁽²⁾	Device is operational beyond the LIN defined nominal supply line voltage range of $5V < V_{SUP} < 27V$	5	14	27	V	
V _{SUP}	Nominal supply voltage (LIN 2.1 Param 10)	Normal and standby modes	7	14	18	V	
		Sleep mode	7	12	18		
UV _{SUP}	Undervoltage V _{SUP} threshold		4.35		4.65	V	
UV _{HYS}	Delta hysteresis voltage for V _{SUP} undervoltage threshold			0.2		V	
I _{SUP}	Supply current	Normal mode, EN = high, Bus dominant (total bus load where $R_{LIN} \geq 500\ \Omega$ and $C_{LIN} \leq 10\ nF$ (see Figure 9) ⁽³⁾ , INH = V _{SUP} , NWake = V _{SUP}		1.2	7.5	mA	
		Standby mode, EN = low, Bus dominant (total bus load where $R_{LIN} \geq 500\ \Omega$ and $C_{LIN} \leq 10\ nF$ (see Figure 9) ⁽³⁾ , INH = V _{SUP} , NWake = V _{SUP}		1	2.1	mA	
		Normal mode, EN = high, Bus recessive, LIN = V _{SUP} , INH = V _{SUP} , NWake = V _{SUP}			450	775	μA
		Standby mode, EN = low, Bus recessive, LIN = V _{SUP} , INH = V _{SUP} , NWake = V _{SUP}			450	775	μA
		Sleep mode, $7V < V_{SUP} \leq 14V$, LIN = V _{SUP} , NWake = V _{SUP} , EN = 0V, TXD and RXD floating			10	20	μA
		Sleep mode, $14V < V_{SUP} < 27V$, LIN = V _{SUP} , NWake = V _{SUP} , EN = 0V, TXD and RXD floating				30	μA
RXD OUTPUT PIN (OPEN DRAIN)							
V _O	Output voltage ⁽⁴⁾		-0.3		5.5	V	
I _{OL}	Low-level output current, open drain	LIN = 0V, RXD = 0.4V	3.5			mA	
I _{IKG}	Leakage current, high-level	LIN = V _{SUP} , RXD = 5V	-5	0	5	μA	
TXD INPUT/OUTPUT PIN							
V _{IL}	Low-level input voltage		-0.3		0.8	V	
V _{IH}	High-level input voltage		2		5.5	V	
V _{IT}	Input threshold hysteresis voltage		30		500	mV	
	Pull-down resistor		125	350	800	k Ω	
I _{IL}	Low-level input leakage current	TXD = Low	-5	0	5	μA	
I _{TXD_Wake}	Local wake up source re recognition TXD open drain drive	Standby mode after a local wake up event, V _{LIN} = V _{SUP} , NWake = 0V, TXD = 1V	1.3	4.6	8	mA	
LIN PIN (REFERENCED TO V_{SUP})							
V _{OH}	High-level output voltage	LIN recessive, TXD = high, I _O = 0mA, V _{SUP} = 14V	V _{SUP} - 1			V	
V _{OL}	Low-level output voltage	LIN dominant, TXD = low, I _O = 40mA, V _{SUP} = 14V			0.2 × V _{SUP}	V	

(1) Typical values are given for V_{SUP} = 14V at 25°C, except for low power mode where typical values are given for V_{SUP} = 12V at 25°C.

(2) All voltages are defined with respect to ground; positive currents flow into the SN65HVDA100 device.

(3) In the dominant state, the supply current increases as the supply voltage increases due to the integrated LIN slave termination resistance. At higher voltages the majority of supply current is through the termination resistance. The minimum resistance of the LIN slave termination is 20k Ω , so the maximum supply current attributed to the termination is: $I_{SUP(dom)max\ termination} \neq (V_{SUP} - (V_{LIN_Dominant} + 0.7V) / 20k\Omega$.

(4) RXD pin output is open drain. Output voltage is through external pullup resistance to logic supply of the system and impedance of the RXD pin.

Electrical Characteristics (continued)
 $V_{SUP} = 5V$ to $27V$, $T_J = -40^{\circ}C$ to $150^{\circ}C$ (unless otherwise noted)

PARAMETER		TEST CONDITIONS	MIN	TYP ⁽¹⁾	MAX	UNIT
I_L	Limiting current (LIN 2.1 Param 12)	TXD = 0 V, $V_{LIN} = 7V$ to $27V$	40	90	200	mA
I_{LKG}	Receiver leakage current, dominant (LIN 2.1 Param 13)	LIN = 0 V, $7V \leq V_{SUP} \leq 18V$, Driver off	-1			mA
	Receiver leakage current, recessive (LIN 2.1 Param 14)	LIN $\geq V_{SUP}$, $7 \leq V_{SUP} \leq 18V$, Driver off LIN = V_{SUP} , driver off			20 5	μA
I_{LKG}	Leakage current, loss of ground (LIN 2.1 Param 15)	GND = V_{SUP} , $V_{SUP} = 12V$, $0V < V_{LIN} < 18V$	-1		1	mA
I_{LKG}	Leakage current, loss of supply (LIN 2.1 Param 16)	$7V < LIN \leq 12V$, $V_{SUP} = GND$			5	μA
		$12V < LIN \leq 18V$, $V_{SUP} = GND$			10	
V_{IL}	Low-level input voltage (LIN 2.1 Param 17)	LIN dominant (including LIN dominant for wake up)			$0.4 \times V_{SUP}$	V
V_{IH}	High-level input voltage (LIN 2.1 Param 18)	LIN recessive	$0.6 \times V_{SUP}$			V
V_{BUS_CNT}	Receiver center threshold (LIN 2.1 Param 19)	$V_{BUS_CNT} = (V_{IL} + V_{IH}) / 2$	$0.475 \times V_{SUP}$	$0.5 \times V_{SUP}$	$0.525 \times V_{SUP}$	V
V_{HYS}	Hysteresis voltage (LIN 2.1 Param 20)	$V_{HYS} = (V_{IL} - V_{IH})$	$0.05 \times V_{SUP}$		$0.175 \times V_{SUP}$	V
V_{SERIAL_DIODE}	Serial diode in LIN termination pull up path (LIN 2.1 Param 21)	By design and characterization	0.4	0.7	1.0	V
R_{SLAVE}	Pullup resistor to V_{SUP} (LIN 2.1 Param 26)	Normal and standby modes	20	30	60	k Ω
R_{SLEEP}	Pullup current source to V_{SUP}	Sleep mode, $V_{SUP} = 14V$, LIN = GND	-2		-20	μA
EN INPUT PIN						
V_{IL}	Low-level input voltage		-0.3		0.8	V
V_{IH}	High-level input voltage		2		5.5	V
V_{hys}	Hysteresis voltage	By design and characterization	30		500	mV
	Pulldown resistor		125	350	800	k Ω
I_{IL}	Low-level input current	EN = Low	-5	0	5	μA
INH OUTPUT PIN						
$R_{DS(on)}$	ON-state resistance	Between V_{SUP} and INH, INH = 2-mA drive, Normal or standby mode		25	50	Ω
I_{IKG}	Leakage current	Low-power mode, $0 < INH < V_{SUP}$	-5	0	5	μA

Electrical Characteristics (continued)

 $V_{SUP} = 5V$ to $27V$, $T_J = -40^{\circ}C$ to $150^{\circ}C$ (unless otherwise noted)

PARAMETER		TEST CONDITIONS	MIN	TYP ⁽¹⁾	MAX	UNIT
NWAKE INPUT PIN						
V_{IL}	Low-level input voltage		-0.3		$V_{SUP} - 3.3$	V
V_{IH}	High-level input voltage		$V_{SUP} - 1$		$V_{SUP} + 0.3$	V
	Pullup current	NWAKE = 0 V	-45	-10	-2	μA
I_{IKG}	Leakage current	$V_{SUP} = \text{NWAKE}$	-5	0	5	μA
AC CHARACTERISTICS						
D1	Duty cycle 1 ⁽⁵⁾ (LIN 2.1 Param 27)	$TH_{REC(max)} = 0.744 \times V_{SUP}$, $TH_{DOM(maximum)} = 0.581 \times V_{SUP}$, $V_{SUP} = 7V$ to $18V$, $t_{BIT} = 50 \mu s$ (20 kbps), $D1 = t_{Bus_rec(min)} / (2 \times t_{BIT})$ (see Figure 1)	0.396			
D2	Duty cycle 2 ⁽⁵⁾ (LIN 2.1 Param 28)	$TH_{REC(min)} = 0.422 \times V_{SUP}$, $TH_{DOM(min)} = 0.284 \times V_{SUP}$, $V_{SUP} = 7.6V$ to $18V$, $t_{BIT} = 50 \mu s$ (20 kbps), $D2 = t_{Bus_rec(max)} / (2 \times t_{BIT})$ (see Figure 1)			0.581	
D3	Duty cycle 3 ⁽⁵⁾ (LIN 2.1 Param 29)	$TH_{REC(max)} = 0.778 \times V_{SUP}$, $TH_{DOM(max)} = 0.616 \times V_{SUP}$, $V_{SUP} = 7V$ to $18V$, $t_{BIT} = 96 \mu s$ (10.4 kbps), $D3 = t_{Bus_rec(min)} / (2 \times t_{BIT})$ (see Figure 1)	0.417			
D4	Duty cycle 4 ⁽⁵⁾ (LIN 2.1 Param 30)	$TH_{REC(min)} = 0.389 \times V_{SUP}$, $TH_{DOM(min)} = 0.251 \times V_{SUP}$, $V_{SUP} = 7.6V$ to $18V$, $t_{BIT} = 96 \mu s$ (10.4 kbps), $D4 = t_{Bus_rec(max)} / (2 \times t_{BIT})$ (see Figure 1)			0.59	

(5) Duty cycles: LIN driver bus load conditions (C_{LINBUS} , R_{LINBUS}): Load1 = 1 nF, 1 k Ω ; Load2 = 10 nF, 500 Ω . Duty cycles 3 and 4 are defined for 10.4-kbps operation. The SN65HVDA100 also meets these lower data rate requirements, while it is capable of the higher speed 20-kbps operation as specified by duty cycles 1 and 2. SAEJ2602 derives propagation delay equations from the LIN 2.0 duty cycle definitions, for details see the SAEJ2602 specification.

7.6 Switching Characteristics

over operating free-air temperature range (unless otherwise noted)

PARAMETER		TEST CONDITIONS	MIN	TYP	MAX	UNIT
AC CHARACTERISTICS						
t_{rx_pdr}	Receiver rising propagation delay time (LIN 2.1 Param 31)	$R_{RXD} = 2.4 k\Omega$, $C_{RXD} = 20 pF$ (see Figure 2 and Figure 9)			6	μs
t_{rx_pdf}	Receiver falling propagation delay time (LIN 2.1 Param 31)	$R_{RXD} = 2.4 k\Omega$, $C_{RXD} = 20 pF$ (see Figure 2 and Figure 9)			6	μs
t_{rx_sym}	Symmetry of receiver propagation delay time (LIN 2.1 Param 32)	Rising edge with respect to falling edge ($t_{rx_sym} = t_{rx_pdf} - t_{rx_pdr}$) $R_{RXD} = 2.4 k\Omega$, $C_{RXD} = 20 pF$ (see Figure 2 and Figure 9)	-2		2	μs
t_{NWAKE}	NWAKE filter time for local wakeup	See Figure 6	25	50	150	μs
t_{LINBUS}	LIN wake-up time (Minimum dominant time on LIN bus for wakeup)	See Figure 11, Figure 12, and Figure 5	25	100	150	μs
t_{CLEAR}	Time to clear false wake-up prevention logic if LIN Bus had bus stuck dominant fault (recessive time on LIN bus to clear bus stuck dominant fault)	See Figure 12	8	17	50	μs

Switching Characteristics (continued)

over operating free-air temperature range (unless otherwise noted)

PARAMETER	TEST CONDITIONS	MIN	TYP	MAX	UNIT
t_{DST}	Dominant state time-out ⁽¹⁾	20	34	80	ms
t_{MODE_CHANGE}	Mode change delay time			5	μs

(1) TXD Dominant state timeout limits the minimum data rate to 650 bps. The minimum datarates may be calculated by the following formulas. $DataRate_{Master(min)} = t_{SYNC_DOM(max)} / t_{DST(min)}$ and $DataRate_{Slave(min)} = 9 + n_{margin} / t_{DST(min)}$ where n_{margin} is a safety margin. For slave node cases where $n_{margin} \leq 4$, the master node case will be the limiting calculation.

7.7 Dissipation Ratings

	TYP	MAX	UNIT
Thermal shutdown temperature		180	$^{\circ}C$
Thermal shutdown hysteresis		15	$^{\circ}C$
P_D Power Dissipation in normal mode (dominant)	17	230	mW

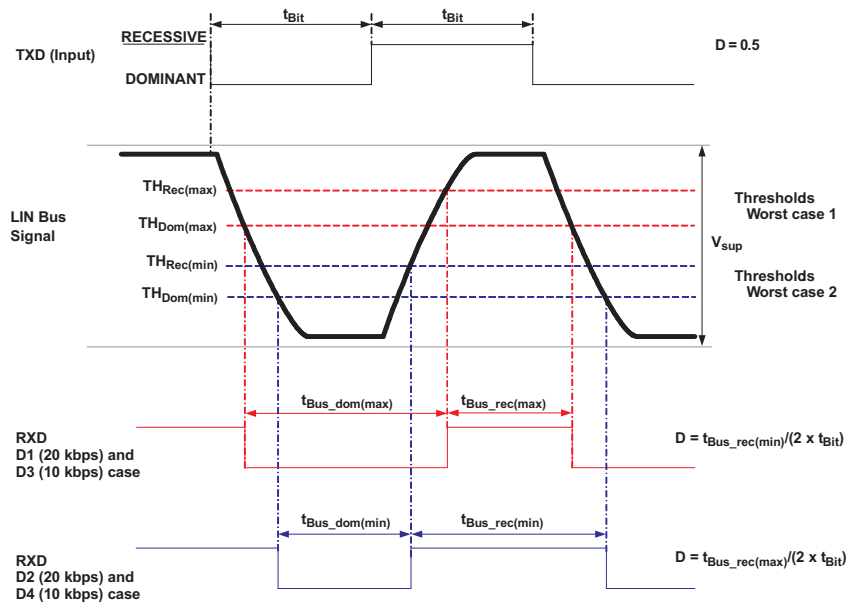


Figure 1. Definition of Bus Timing Parameters

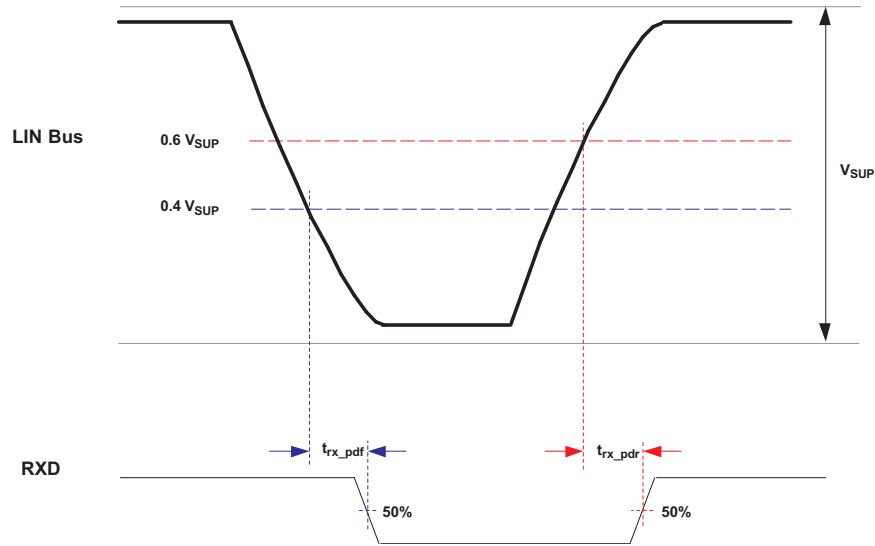


Figure 2. Propagation Delay

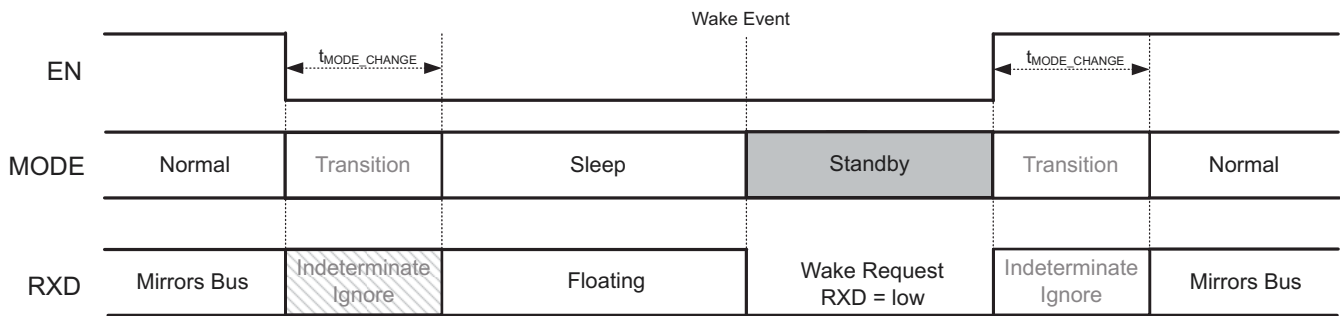


Figure 3. Mode Transitions

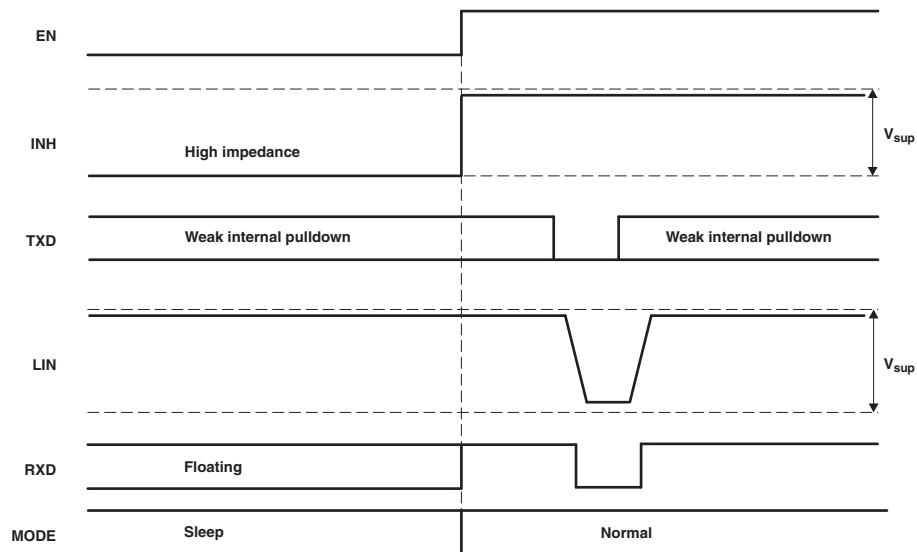


Figure 4. Wakeup Through EN

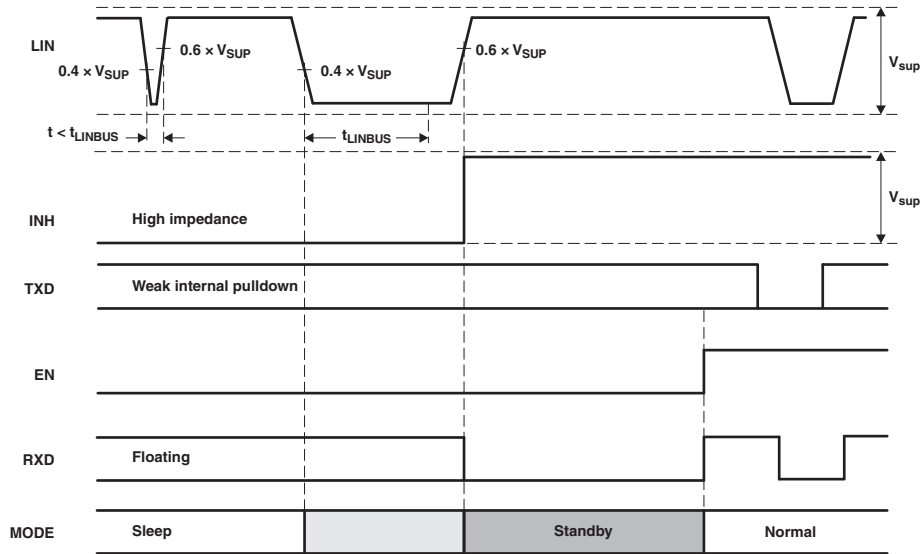


Figure 5. Wakeup Through LIN

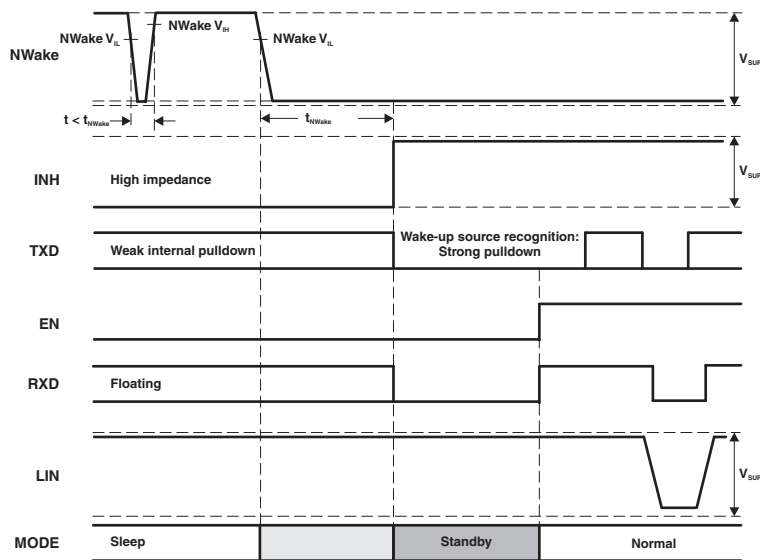
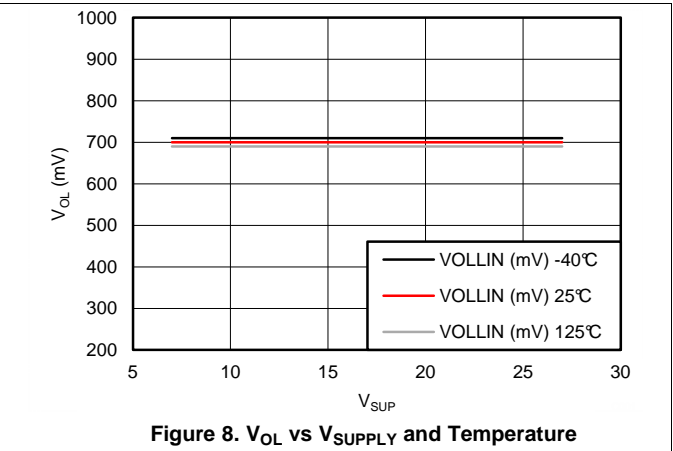
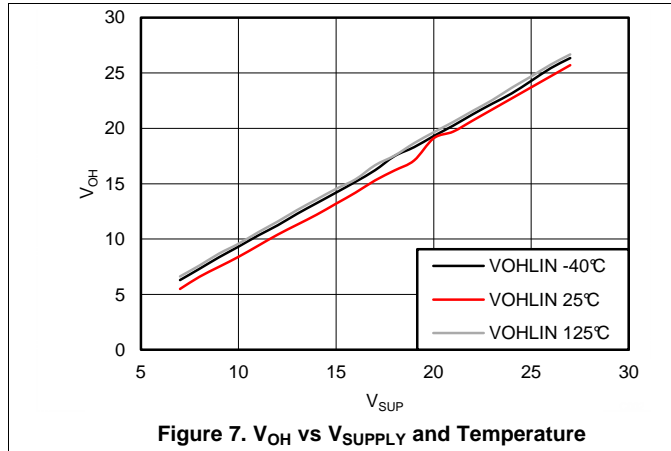


Figure 6. Wakeup Through NWake

7.8 Typical Characteristics



8 Parameter Measurement Information

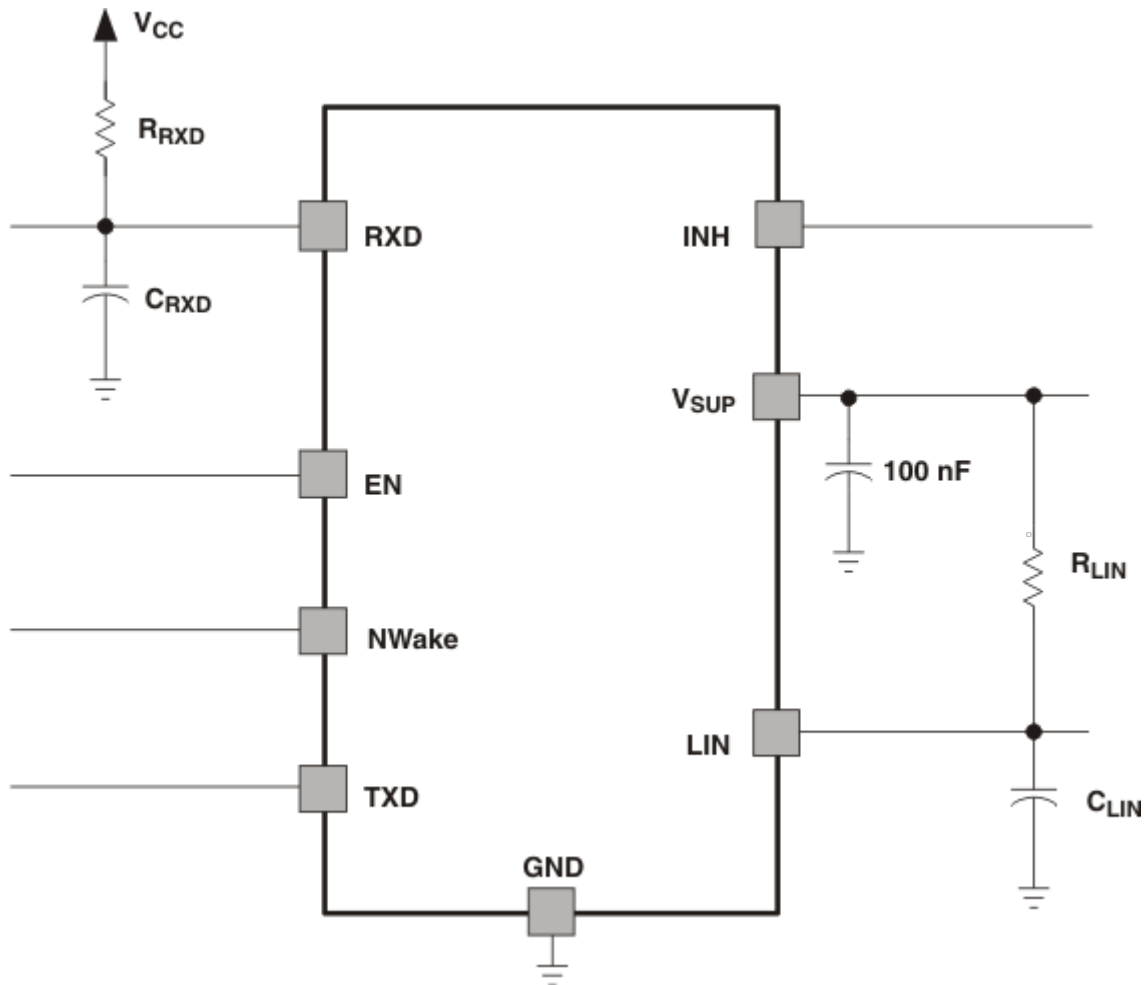


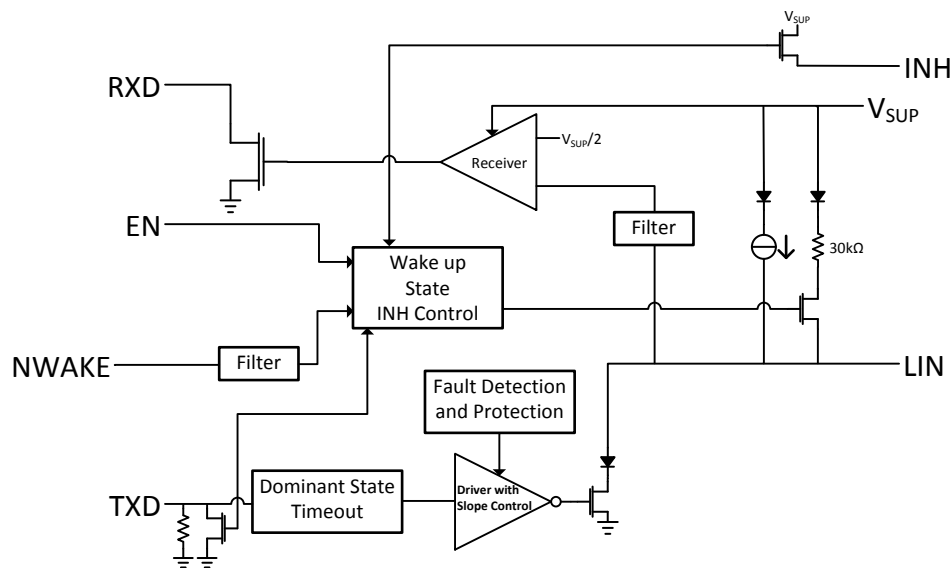
Figure 9. Test Circuit for AC Characteristics

9 Detailed Description

9.1 Overview

The SN65HVDA100-Q1 LIN transceiver is a LIN (Local Interconnect Network) physical layer transceiver which integrates a serial transceiver with wake up and protection features. The LIN bus is a single wire, bi-directional bus that typically is used in low speed in vehicle networks with data rates that range from 2.4 kbps to 20 kbps.

9.2 Functional Block Diagram



9.3 Feature Description

9.3.1 LIN (Local Interconnect Network) Bus

This I/O pin is the single-wire LIN bus transmitter and receiver. The LIN pin can survive excessive DC and transient voltages. There are no reverse currents from the LIN to supply (V_{SUP}), even in the event of a ground shift or loss of supply (V_{SUP}).

9.3.1.1 LIN Transmitter Characteristics

The transmitter has thresholds and AC parameters according to the LIN specification. The transmitter is a low-side transistor with internal current limitation and thermal shutdown. During a thermal shutdown condition, the transmitter is disabled to protect the device. There is an internal pullup resistor with a serial diode structure to V_{SUP} , so no external pullup components are required for LIN slave mode applications. An external pullup resistor and a series diode to V_{SUP} must be added when the device is used for master node applications.

9.3.1.2 LIN Receiver Characteristics

The receiver's characteristic thresholds are ratio-metric with the device supply pin according to the LIN specification.

The receiver is capable of receiving higher data rates (>100 kbps) than supported by LIN or SAEJ2602 specifications. This allows the SN65HVDA100 to be used for high-speed downloads at end-of-line production or other applications. The actual data rates achievable depend on system time constants (bus capacitance and pullup resistance) and driver characteristics used in the system.

9.3.1.2.1 Termination

There is an internal pullup resistor with a serial diode structure from LIN to V_{SUP} , so no external pullup components are required for LIN slave mode applications. An external pullup resistor (1 k Ω) and a series diode to V_{SUP} must be added when the device is used for master node applications per the LIN specification.

Feature Description (continued)

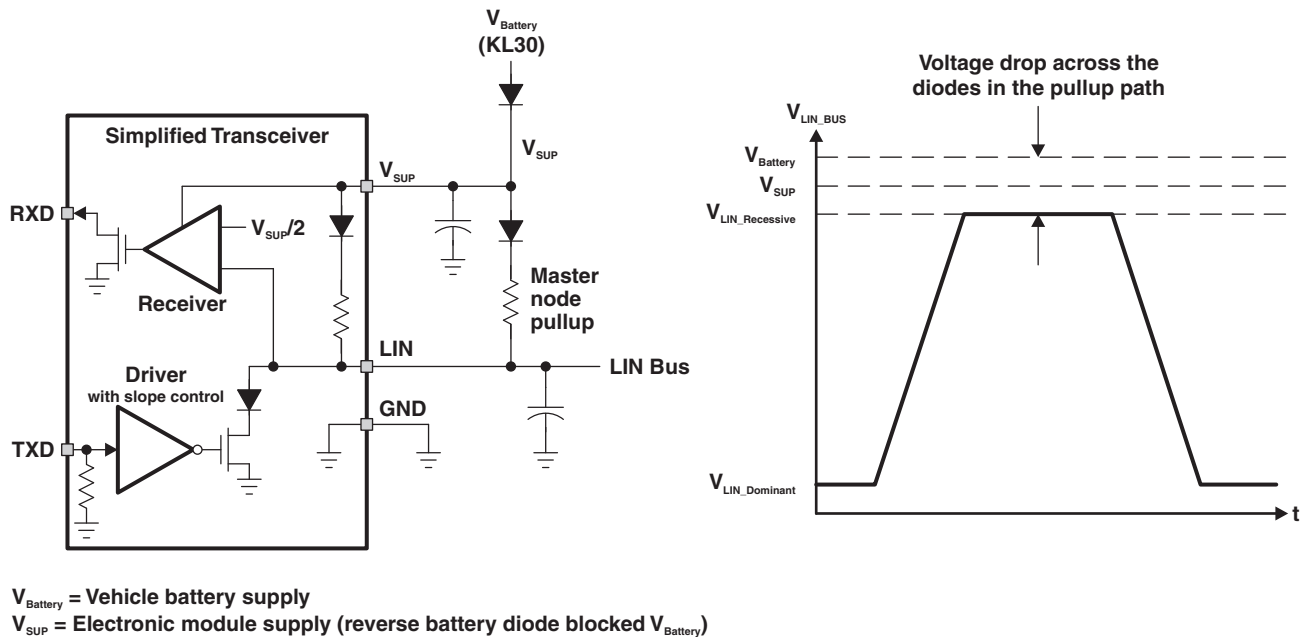


Figure 10. Definition of Voltage Levels

9.3.2 TXD (Transmit Input / Output)

TXD is the interface to the MCU's LIN protocol controller or SCI/UART that is used to control the state of the LIN output. When TXD is low, the LIN output is dominant (near ground). When TXD is high, the LIN output is recessive (near battery). The TXD input structure is compatible with microcontrollers with 3.3-V and 5-V I/O. TXD has an internal pulldown resistor. The LIN bus is protected from being stuck dominant through a system failure driving TXD low through the dominant state time-out timer. The TXD pin is pulled down strongly in standby mode after a wake-up event on the NWake pin.

9.3.3 RXD (Receive Output)

RXD is the interface to the MCU's LIN protocol controller or SCI/UART, which reports the state of the LIN bus voltage. LIN recessive (near battery) is represented by a high level on RXD and LIN dominant (near ground) is represented by a low level on RXD. The RXD output structure is an open-drain output stage. This allows the device to be used with 3.3-V and 5-V I/O microcontrollers. If the microcontroller's RXD pin does not have an integrated pullup, an external pullup resistor to the microcontroller I/O supply voltage is required. In standby mode the RXD pin is driven low to indicate a wake-up request from LIN or NWake.

9.3.4 V_{SUP} (Supply Voltage)

V_{SUP} is the power supply pin. V_{SUP} is connected to the battery through an external reverse battery blocking diode. If there is a loss of power at the ECU level, the device has extremely low leakage from the LIN pin, which does not load the bus down. This is optimal for LIN systems in which some of the nodes are unpowered (ignition supplied) while the rest of the network remains powered (battery supplied).

9.3.5 GND (Ground)

GND is the device ground connection. The device can operate with a ground shift as long as the ground shift does not reduce V_{SUP} below the minimum operating voltage. If there is a loss of ground at the ECU level, the device has extremely low leakage from the LIN pin, which does not load the bus down. This is optimal for LIN systems in which some of the nodes are unpowered (ignition supplied) while the rest of the network remains powered (battery supplied).

Feature Description (continued)

9.3.6 EN (Enable Input)

EN controls the operational modes of the device. When EN is high, the device is in normal mode, allowing a transmission path from TXD to LIN and from LIN to RXD. When EN is low, the device is put into sleep mode and there are no transmission paths available. The device can enter normal mode only after wake up. EN has an internal pulldown resistor to ensure the device remains in low-power mode even if EN floats.

9.3.7 NWake (High Voltage Wake Up Input)

NWake is a high-voltage input used to wake up from sleep mode. NWake is usually connected to an external switch in the application. A low on NWake that is asserted longer than the filter time (t_{NWAKE}) results in a local wakeup. NWake provides an internal pullup source to V_{SUP} .

9.3.8 INH (Inhibit Output)

INH is used to control an external voltage regulator that has an inhibit or enable input. When the device is in normal operating mode, the inhibit switch is enabled and the external voltage regulator is activated. When device is in sleep mode, the inhibit switch is disabled, which turns off the system voltage regulator. A wake-up event transitions the device to standby by mode and re-enables INH which, in turn, restarts the system by turning on the voltage regulators. INH can also drive an external transistor connected to an MCU interrupt input.

9.3.9 TXD Dominant State Timeout

During normal mode, if TXD is inadvertently driven permanently low by a hardware or software application failure, the LIN bus is protected by the dominant state timeout timer. This timer is triggered by a falling edge on TXD. If the low signal remains on TXD for longer than t_{DST} , the transmitter is disabled, thus allowing the LIN bus to return to the recessive state and communication to resume on the bus. The protection is cleared and the t_{DST} timer is reset by a rising edge on TXD. The TXD pin has an internal pulldown to ensure the device fails to a known state if TXD is disconnected. During this fault, the transceiver remains in normal mode (assuming no change of state request on EN), the transmitter is disabled, the RXD pin reflects the LIN bus, INH remains on, and the LIN bus pullup termination remains on.

APPLICATION HINT: The maximum dominant TXD time allowed by the TXD Dominant state time-out limits the minimum possible data rate of the device. The LIN protocol has different constraints for master and slave applications thus there are different maximum consecutive dominant bits for each application case and thus different minimum data rates.

Master node: The maximum continuous dominant is the maximum dominant of the SYNC BREAK FIELD, $t_{SYNC_DOM(max)}$. The SYN BREAK FIELD notifies the 'start of frame' to all LIN slaves. It consists of 13 to 26 dominant bits (low phase) followed by a delimiter. Thus the minimum TXD dominant time out, $t_{DST(min)}$ and the maximum SYNC BREAK FIELD for the master determine the minimum data rate for a master node, which may be calculated by the following equation:

$$DataRate_{Master(min)} = t_{SYNC_DOM(max)} / t_{DST(min)}$$

Slave node: sends the response part of the LIN message frame which has a maximum consecutive dominant length of 9 bits (start bit + 8 data bits). As a result the minimum baud rate of a slave can be calculated by the following equation:

$$DataRate_{Slave(min)} = 9 + n_{margin} / t_{DST(min)} \text{ where } n_{margin} \text{ is a safety margin.}$$

9.3.10 Thermal Shutdown

The LIN transmitter is protected through a current limit, however, if the junction temperature of the device exceeds the thermal shutdown threshold, the device turns off the LIN transmitter circuit. Once the overtemperature fault condition has been removed and the junction temperature has cooled beyond the hysteresis temperature, the transmitter is re-enabled, assuming the device remained in the normal mode. During this fault, the transceiver remains in normal mode (assuming no change of state request on EN), the transmitter is disabled, the RXD pin reflects the LIN bus, INH remains on, and the LIN bus pullup termination remains on.

Feature Description (continued)

9.3.11 Bus Stuck Dominant System Fault: False Wake-Up Lockout

The device contains logic to detect bus stuck dominant system faults and prevent the device from waking up falsely during this system fault. Upon entering sleep mode, the device detects the state of the LIN bus. If the bus is dominant, the wake-up logic is locked out until a valid recessive on the bus "clears" the bus stuck dominant condition. This logic prevents the potential for a cyclical false wakeup of the system if the bus is stuck dominant, preventing excessive current use. Figure 11 and Figure 12 show the behavior of this protection feature.

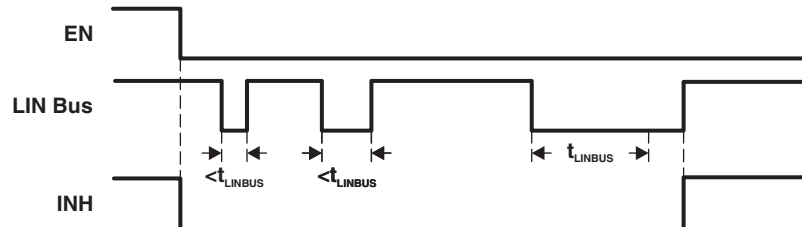


Figure 11. No Bus Fault: Entering Sleep Mode With Bus Recessive Condition and Wakeup

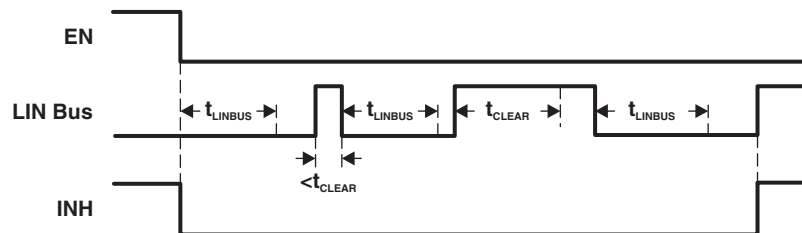


Figure 12. Bus Fault: Entering Sleep Mode With Bus Stuck Dominant Fault, Clearing, and Wakeup

9.3.12 Undervoltage on V_{SUP}

The device contains a power-on reset circuit to avoid false bus messages during undervoltage conditions when V_{SUP} is less than UV_{VSUP} .

9.3.13 Unpowered Device Does Not Affect the LIN Bus

The device has extremely low unpowered leakage current from the bus, so an unpowered node does not affect the network or load it down. This is optimal for LIN systems in which some of the nodes are unpowered (ignition supplied) while the rest of the network remains powered (battery supplied).

9.4 Device Functional Modes

9.4.1 Operating States

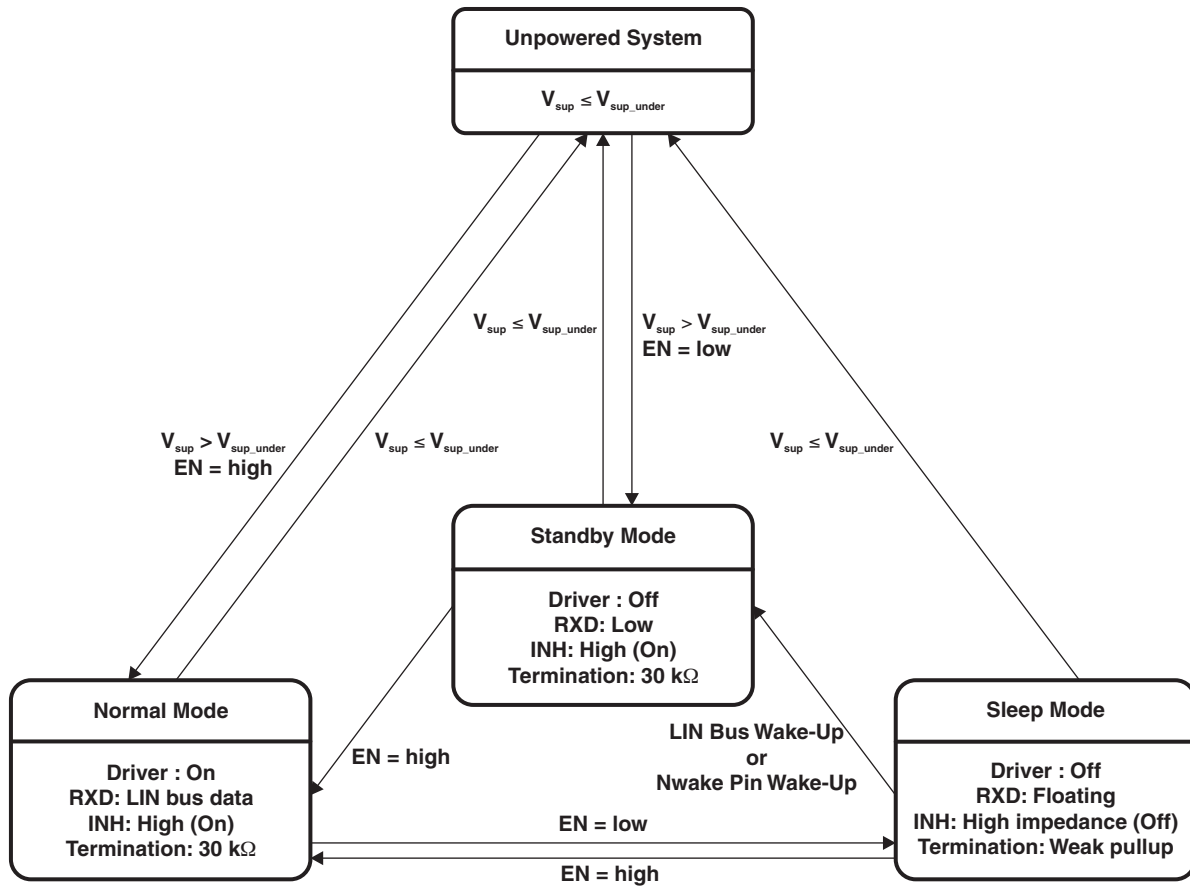


Figure 13. Operating States Diagram

Table 1. Operating Modes

MODE	EN	RXD	LIN BUS TERMINATION	INH	TRANSMITTER	COMMENTS
Sleep	Low	Floating	Weak current pullup	High impedance	Off	
Standby	Low	Low	30 kΩ (typical)	High	Off	Wake-up event detected, waiting on MCU to set EN
Normal	High	LIN bus data	30 kΩ (typical)	High	On	LIN transmission up to 20 kbps

9.4.2 Normal Mode

This is the normal operational mode, in which the receiver and driver are active, and LIN transmission up to the LIN specified maximum of 20 kbps is supported. The receiver detects the data stream on the LIN bus and outputs it on RXD for the LIN controller, where recessive on the LIN bus is a digital high, and dominant on the LIN bus is digital low. The driver transmits input data on TXD to the LIN bus. Normal mode is entered as EN transitions high while the SN65HVDA100 is in sleep or standby mode.

9.4.3 Sleep Mode

Sleep mode is the power saving mode for the SN65HVDA100. Even with the extremely low current consumption in this mode, the SN65HVDA100 can still wake up from LIN bus through a wake-up signal, a low on NWake, or if EN is set high. The LIN bus and NWake are filtered to prevent false wake-up events. The wake-up events must be active for their respective time periods (t_{LINBUS} , t_{NWake}).

The sleep mode is entered by setting EN low.

While the device is in sleep mode, the following conditions exist:

- The LIN bus driver is disabled and the internal LIN bus termination is switched off (to minimize power loss if LIN is short circuited to ground). However, the weak current pullup is active to prevent false wake-up events in case an external connection to the LIN bus is lost.
- The normal receiver is disabled.
- INH is high impedance.
- EN input, NWake input, and the LIN wake-up receiver are active.

9.4.4 Wake-Up Events

There are three ways to wake up from sleep mode:

- Remote wakeup through recessive (high) to dominant (low) state transition on LIN bus. The dominant state must be held for t_{LINBUS} filter time and then the bus must return to the recessive state (to eliminate false wakeups from disturbances on the LIN bus or if the bus is shorted to ground).
- Local wakeup through a low on NWake, which is asserted low longer than the filter time t_{NWake} (to eliminate false wakeups from disturbances on NWake).
- Local wakeup through EN being set high.

9.4.4.1 Wake-Up Request (RXD)

When the device encounters a wake-up event from the LIN bus or NWake pin, RXD goes low, and the device transitions to standby mode (until EN is reasserted high and the device enters normal mode). Once the device enters normal mode, the RXD pin is releasing the wake-up request signal, and the RXD pin then reflects the receiver output from the bus.

9.4.4.2 Wake-Up Source Recognition (TXD)

When the device encounters a wake-up event from the LIN bus or NWake pin, TXD indicates the source while the device enters and remains in standby mode (until EN is reasserted high and the device enters normal mode). In addition to the internal pullup resistor on TXD, typically an external pullup resistor (approximately 5 k Ω) is used in the system's I/O supply voltage. A high on TXD in standby mode indicates a remote wakeup through the LIN bus, and a low (strong pulldown) on the TXD pin indicates a local wakeup through the NWAKE pin.

9.4.5 Standby Mode

This mode is entered whenever a wake-up event occurs through LIN bus or NWake while the device is in sleep mode. The LIN bus slave termination circuit and INH are turned on when standby mode is entered. The application system powers up once INH is turned on, assuming the system is using a voltage regulator connected through INH. Standby mode is signaled through a low level on RXD.

When EN is set high while the device is in standby mode the device returns to normal mode and the normal transmission paths from TXD to LIN bus and LIN bus to RXD are enabled.

During power up if EN is low the device goes into Standby mode and if EN is high the device goes into Normal mode. EN has an internal pulldown resistor, so if the pin is floating in the system, the internal pulldown will ensure it is pulled low.

APPLICATION HINT: If the INH output of the SN65HVDA100 is not used to control the system power management (voltage regulators) and monitor wake-up sources, but sleep mode is used to reduce system current the RXD pin can be monitored to ensure SN65HVDA100 remains in sleep mode. If the SN65HVDA100 detects an undervoltage on V_{SUP} the RXD pin transitions low and would signal to the software that the SN65HVDA100 is in standby mode and should be returned to sleep mode to return to the lowest power state.

9.4.6 Mode Transitions

When the device is transitioning between modes the device needs the time, $t_{\text{MODE_CHANGE}}$, to allow the change to fully propagate from the EN pin through the device into the new state.

APPLICATION HINT: When using the SN65HVDA100 in systems which are not controlled through the INH output, but rather are monitoring the RXD pin for a wake-up request, special care should be taken during the mode transitions. The output of the RXD pin is indeterminate for the transition period between states as the receivers are switched. The application software should not look for an edge on the RXD pin indicating a wake-up request until $t_{\text{MODE_CHANGE}}$. This is shown in [Figure 3](#).

10 Application and Implementation

NOTE

Information in the following applications sections is not part of the TI component specification, and TI does not warrant its accuracy or completeness. TI's customers are responsible for determining suitability of components for their purposes. Customers should validate and test their design implementation to confirm system functionality.

10.1 Application Information

The SN65HVDA100-Q1 can be used as both a slave device and a master device in a LIN network. The device comes with the ability to support both remote wake-up requests and local wake-up requests.

10.2 Typical Application

The device comes with an integrated 30-k Ω pullup resistor and series diode for slave applications, and for master applications an external 1-k Ω pullup with series blocking diode can be used. [Figure 14](#) shows the device being used in both types of applications.

Typical Application (continued)

10.2.2 Detailed Design Procedure

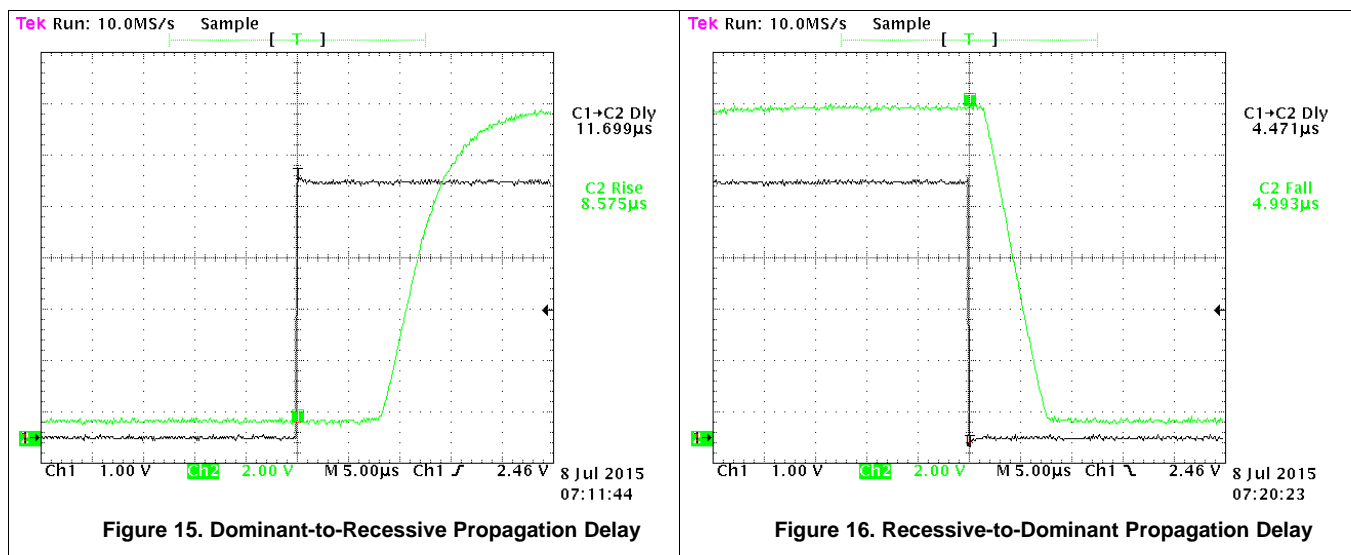
The RXD output structure is an open-drain output stage. This allows the SN65HVDA100-Q1 to be used with 3.3-V and 5-V I/O microcontrollers. If the RXD pin of the microcontroller does not have an integrated pullup, an external pullup resistor to the microcontroller I/O supply voltage is required.

The V_{SUP} pin of the device should be decoupled with a 100-nF capacitor as close to the supply pin of the device as possible.

The NWAKE pin is a high voltage wake-up input to the device. If this pin is not being used it should be tied to V_{SUP} .

10.2.3 Application Curves

Figure 15 and Figure 16 show the propagation delay from the TXD pin to the LIN pin for both the recessive-to-dominant and dominant-to-recessive states under lightly loaded conditions.



11 Power Supply Recommendations

The SN65HVDSA100-Q1 was designed to operate directly off a car battery, or any other DC supply ranging from 7 V to 27 V. A 100-nF decoupling capacitor should be placed as close to the V_{SUP} pin of the device as possible.

12 Layout

12.1 Layout Guidelines

Pin 1 is the RXD output of the SN65HVDA100-Q1. The pin is an open-drain output and requires an external pullup resistor in the range of 1 k Ω to 10 k Ω to function properly. If the microprocessor paired with the transceiver does not have an integrated pullup, an external resistor should be placed between RXD and the regulated voltage supply for the microprocessor.

Pin 2 is the EN input pin for the device that is used to place the device in low power sleep mode. If this feature is not used on the device, the pin should be pulled high to the regulated voltage supply of the microprocessor through a series 1-k Ω to 10-k Ω series resistor. Additionally, a series resistor may be placed on the pin to limit the current on the digital lines in the case of a overvoltage fault.

Pin 3 is a high-voltage local wake up input pin. The device is typically externally controlled by a normally open switch tied between NWAKE and ground. When the momentary switch is pressed the NWAKE pin is pulled to ground signaling a local wake-up event. A series resistor between V_{BATT} and the switch, and NWAKE and the switch should be placed to limit current. If the NWAKE local wake-up feature is not used, the pin can be tied to V_{SUP} through a 1-k Ω to 10-k Ω pullup resistor.

Pin 4 is the transmit input signal to the device. A series resistor can be placed to limit the input current to the device in the case of a overvoltage on this pin. Also, a capacitor to ground can be placed close to the input pin of the device to filter noise.

Pin 5 is the ground connection of the device. This pin should be tied to a ground plane through a short trace with the use of two vias to limit total return inductance.

Pin 6 is the LIN bus connection of the device. For slave applications a 220-pF bus capacitor is implemented. For master applications an additional series resistor and blocking diode should be placed between the LIN pin and the V_{SUP} pin.

Pin 7 is the supply pin for the device. A 100-nF decoupling capacitor should be placed as close to the device as possible.

Pin 8 is a high-voltage output pin that may be used to control the local power supplies. If this feature is not used the pin may be left floating.

NOTE

All ground and power connections should be made as short as possible and use at least two vias to minimize the total loop inductance.

12.2 Layout Example

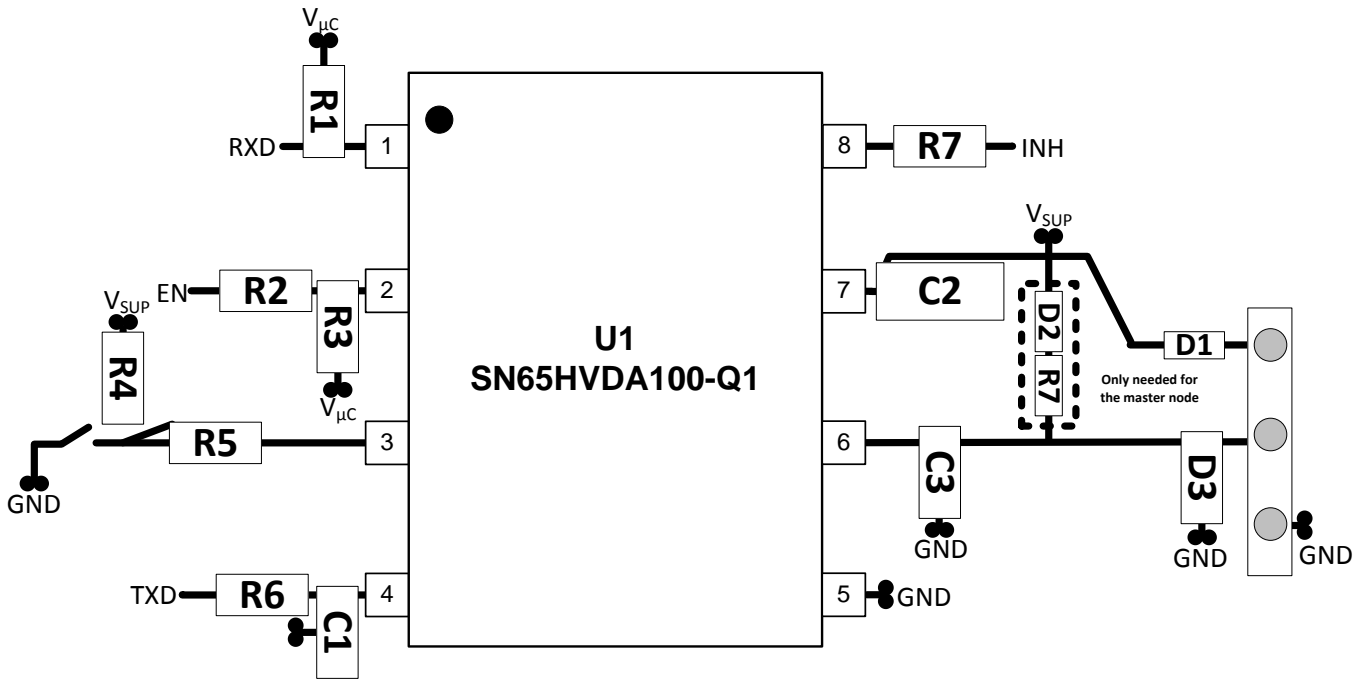


Figure 17. Layout Schematic

13 Device and Documentation Support

13.1 Community Resources

The following links connect to TI community resources. Linked contents are provided "AS IS" by the respective contributors. They do not constitute TI specifications and do not necessarily reflect TI's views; see TI's [Terms of Use](#).

TI E2E™ Online Community *TI's Engineer-to-Engineer (E2E) Community*. Created to foster collaboration among engineers. At e2e.ti.com, you can ask questions, share knowledge, explore ideas and help solve problems with fellow engineers.

Design Support *TI's Design Support* Quickly find helpful E2E forums along with design support tools and contact information for technical support.

13.2 Trademarks

E2E is a trademark of Texas Instruments.
All other trademarks are the property of their respective owners.

13.3 Electrostatic Discharge Caution



These devices have limited built-in ESD protection. The leads should be shorted together or the device placed in conductive foam during storage or handling to prevent electrostatic damage to the MOS gates.

13.4 Glossary

[SLYZ022](#) — *TI Glossary*.

This glossary lists and explains terms, acronyms, and definitions.

14 Mechanical, Packaging, and Orderable Information

The following pages include mechanical, packaging, and orderable information. This information is the most current data available for the designated devices. This data is subject to change without notice and revision of this document. For browser-based versions of this data sheet, refer to the left-hand navigation.

PACKAGING INFORMATION

Orderable Device	Status (1)	Package Type	Package Drawing	Pins	Package Qty	Eco Plan (2)	Lead finish/ Ball material (6)	MSL Peak Temp (3)	Op Temp (°C)	Device Marking (4/5)	Samples
SN65HVDA100QDRQ1	ACTIVE	SOIC	D	8	2500	RoHS & Green	NIPDAU	Level-2-260C-1 YEAR	-40 to 125	A100Q	Samples

(1) The marketing status values are defined as follows:

ACTIVE: Product device recommended for new designs.

LIFEBUY: TI has announced that the device will be discontinued, and a lifetime-buy period is in effect.

NRND: Not recommended for new designs. Device is in production to support existing customers, but TI does not recommend using this part in a new design.

PREVIEW: Device has been announced but is not in production. Samples may or may not be available.

OBSELETE: TI has discontinued the production of the device.

(2) **RoHS:** TI defines "RoHS" to mean semiconductor products that are compliant with the current EU RoHS requirements for all 10 RoHS substances, including the requirement that RoHS substance do not exceed 0.1% by weight in homogeneous materials. Where designed to be soldered at high temperatures, "RoHS" products are suitable for use in specified lead-free processes. TI may reference these types of products as "Pb-Free".

RoHS Exempt: TI defines "RoHS Exempt" to mean products that contain lead but are compliant with EU RoHS pursuant to a specific EU RoHS exemption.

Green: TI defines "Green" to mean the content of Chlorine (Cl) and Bromine (Br) based flame retardants meet JS709B low halogen requirements of <=1000ppm threshold. Antimony trioxide based flame retardants must also meet the <=1000ppm threshold requirement.

(3) MSL, Peak Temp. - The Moisture Sensitivity Level rating according to the JEDEC industry standard classifications, and peak solder temperature.

(4) There may be additional marking, which relates to the logo, the lot trace code information, or the environmental category on the device.

(5) Multiple Device Markings will be inside parentheses. Only one Device Marking contained in parentheses and separated by a "-" will appear on a device. If a line is indented then it is a continuation of the previous line and the two combined represent the entire Device Marking for that device.

(6) Lead finish/Ball material - Orderable Devices may have multiple material finish options. Finish options are separated by a vertical ruled line. Lead finish/Ball material values may wrap to two lines if the finish value exceeds the maximum column width.

Important Information and Disclaimer:The information provided on this page represents TI's knowledge and belief as of the date that it is provided. TI bases its knowledge and belief on information provided by third parties, and makes no representation or warranty as to the accuracy of such information. Efforts are underway to better integrate information from third parties. TI has taken and continues to take reasonable steps to provide representative and accurate information but may not have conducted destructive testing or chemical analysis on incoming materials and chemicals. TI and TI suppliers consider certain information to be proprietary, and thus CAS numbers and other limited information may not be available for release.

In no event shall TI's liability arising out of such information exceed the total purchase price of the TI part(s) at issue in this document sold by TI to Customer on an annual basis.

TAPE AND REEL INFORMATION



QUADRANT ASSIGNMENTS FOR PIN 1 ORIENTATION IN TAPE



*All dimensions are nominal

Device	Package Type	Package Drawing	Pins	SPQ	Reel Diameter (mm)	Reel Width W1 (mm)	A0 (mm)	B0 (mm)	K0 (mm)	P1 (mm)	W (mm)	Pin1 Quadrant
SN65HVDA100QDRQ1	SOIC	D	8	2500	330.0	12.4	6.4	5.2	2.1	8.0	12.0	Q1

TAPE AND REEL BOX DIMENSIONS



*All dimensions are nominal

Device	Package Type	Package Drawing	Pins	SPQ	Length (mm)	Width (mm)	Height (mm)
SN65HVDA100QDRQ1	SOIC	D	8	2500	853.0	449.0	35.0



D0008A

PACKAGE OUTLINE

SOIC - 1.75 mm max height

SMALL OUTLINE INTEGRATED CIRCUIT



4214825/C 02/2019

NOTES:

- Linear dimensions are in inches [millimeters]. Dimensions in parenthesis are for reference only. Controlling dimensions are in inches. Dimensioning and tolerancing per ASME Y14.5M.
- This drawing is subject to change without notice.
- This dimension does not include mold flash, protrusions, or gate burrs. Mold flash, protrusions, or gate burrs shall not exceed $.006$ [0.15] per side.
- This dimension does not include interlead flash.
- Reference JEDEC registration MS-012, variation AA.

EXAMPLE BOARD LAYOUT

D0008A

SOIC - 1.75 mm max height

SMALL OUTLINE INTEGRATED CIRCUIT



LAND PATTERN EXAMPLE
EXPOSED METAL SHOWN
SCALE:8X



SOLDER MASK DETAILS

4214825/C 02/2019

NOTES: (continued)

6. Publication IPC-7351 may have alternate designs.

7. Solder mask tolerances between and around signal pads can vary based on board fabrication site.

EXAMPLE STENCIL DESIGN

D0008A

SOIC - 1.75 mm max height

SMALL OUTLINE INTEGRATED CIRCUIT



SOLDER PASTE EXAMPLE
BASED ON .005 INCH [0.125 MM] THICK STENCIL
SCALE:8X

4214825/C 02/2019

NOTES: (continued)

8. Laser cutting apertures with trapezoidal walls and rounded corners may offer better paste release. IPC-7525 may have alternate design recommendations.
9. Board assembly site may have different recommendations for stencil design.

IMPORTANT NOTICE AND DISCLAIMER

TI PROVIDES TECHNICAL AND RELIABILITY DATA (INCLUDING DATASHEETS), DESIGN RESOURCES (INCLUDING REFERENCE DESIGNS), APPLICATION OR OTHER DESIGN ADVICE, WEB TOOLS, SAFETY INFORMATION, AND OTHER RESOURCES "AS IS" AND WITH ALL FAULTS, AND DISCLAIMS ALL WARRANTIES, EXPRESS AND IMPLIED, INCLUDING WITHOUT LIMITATION ANY IMPLIED WARRANTIES OF MERCHANTABILITY, FITNESS FOR A PARTICULAR PURPOSE OR NON-INFRINGEMENT OF THIRD PARTY INTELLECTUAL PROPERTY RIGHTS.

These resources are intended for skilled developers designing with TI products. You are solely responsible for (1) selecting the appropriate TI products for your application, (2) designing, validating and testing your application, and (3) ensuring your application meets applicable standards, and any other safety, security, or other requirements. These resources are subject to change without notice. TI grants you permission to use these resources only for development of an application that uses the TI products described in the resource. Other reproduction and display of these resources is prohibited. No license is granted to any other TI intellectual property right or to any third party intellectual property right. TI disclaims responsibility for, and you will fully indemnify TI and its representatives against, any claims, damages, costs, losses, and liabilities arising out of your use of these resources.

TI's products are provided subject to TI's Terms of Sale (www.ti.com/legal/termsofsale.html) or other applicable terms available either on ti.com or provided in conjunction with such TI products. TI's provision of these resources does not expand or otherwise alter TI's applicable warranties or warranty disclaimers for TI products.

Mailing Address: Texas Instruments, Post Office Box 655303, Dallas, Texas 75265
Copyright © 2020, Texas Instruments Incorporated