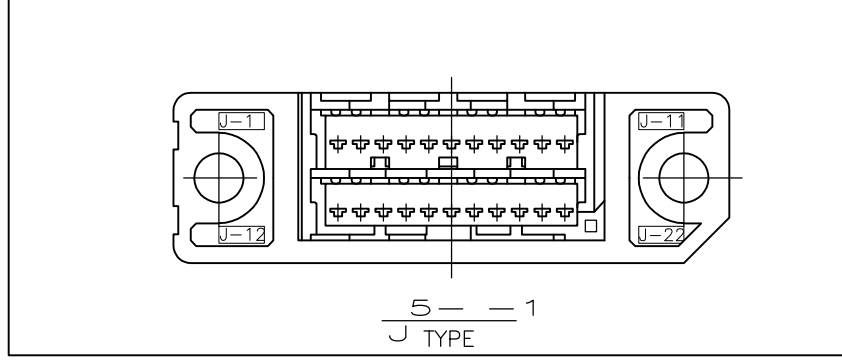
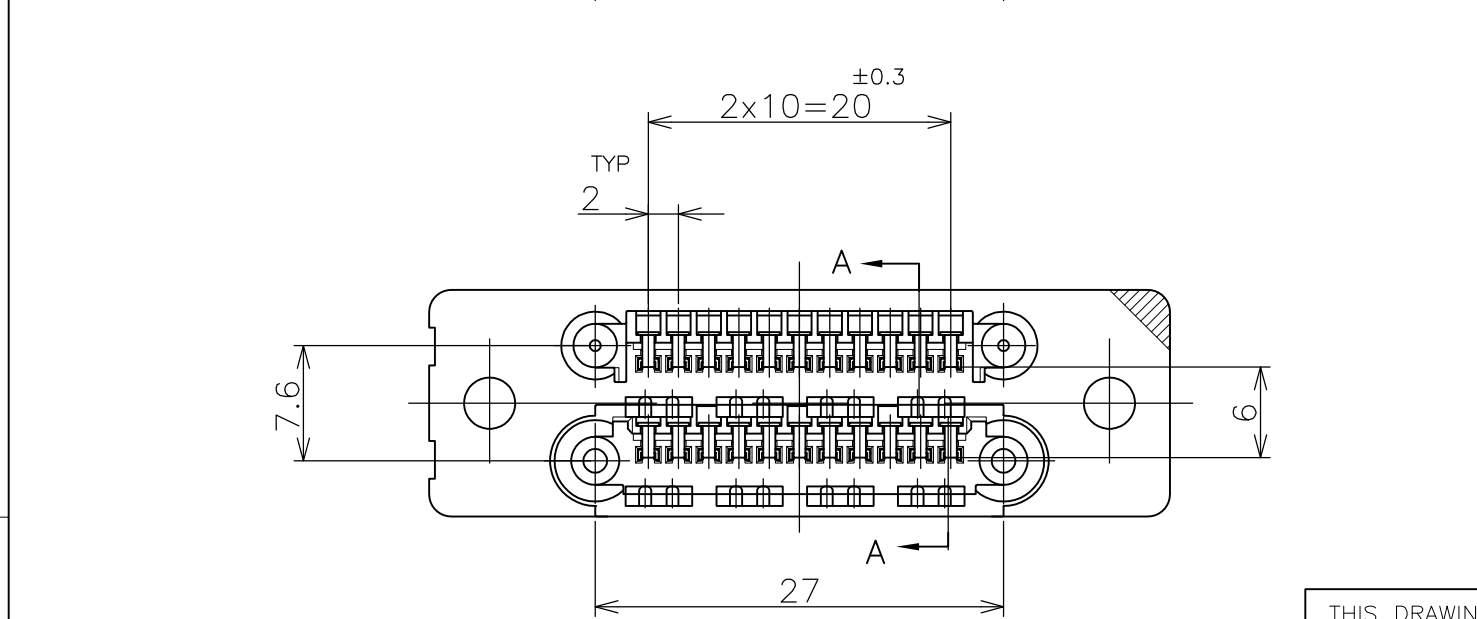
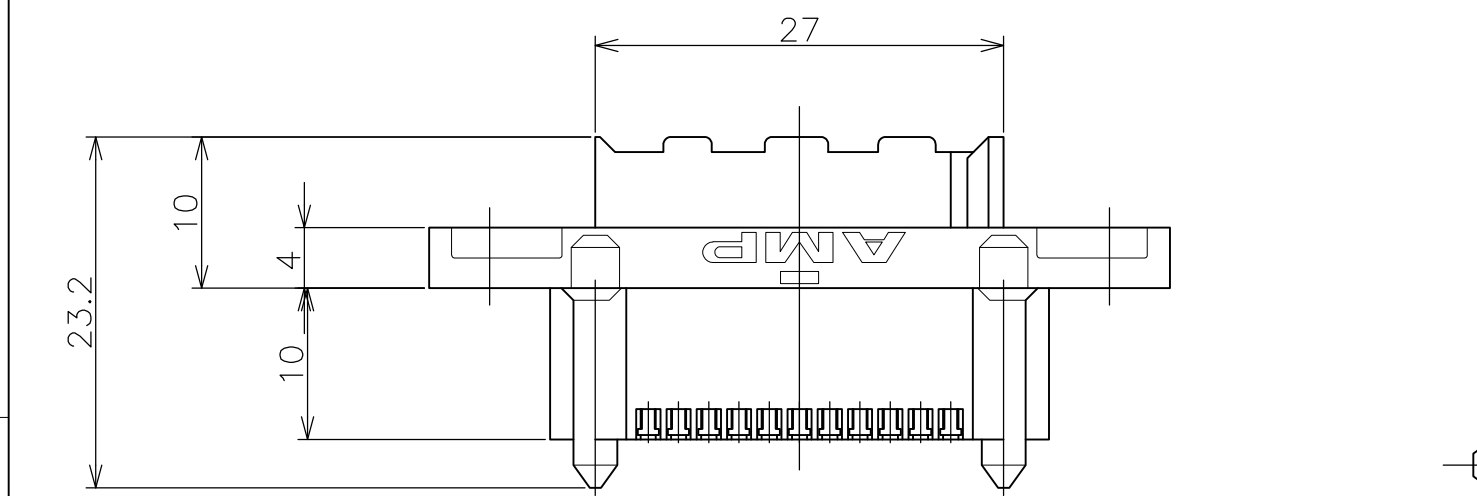
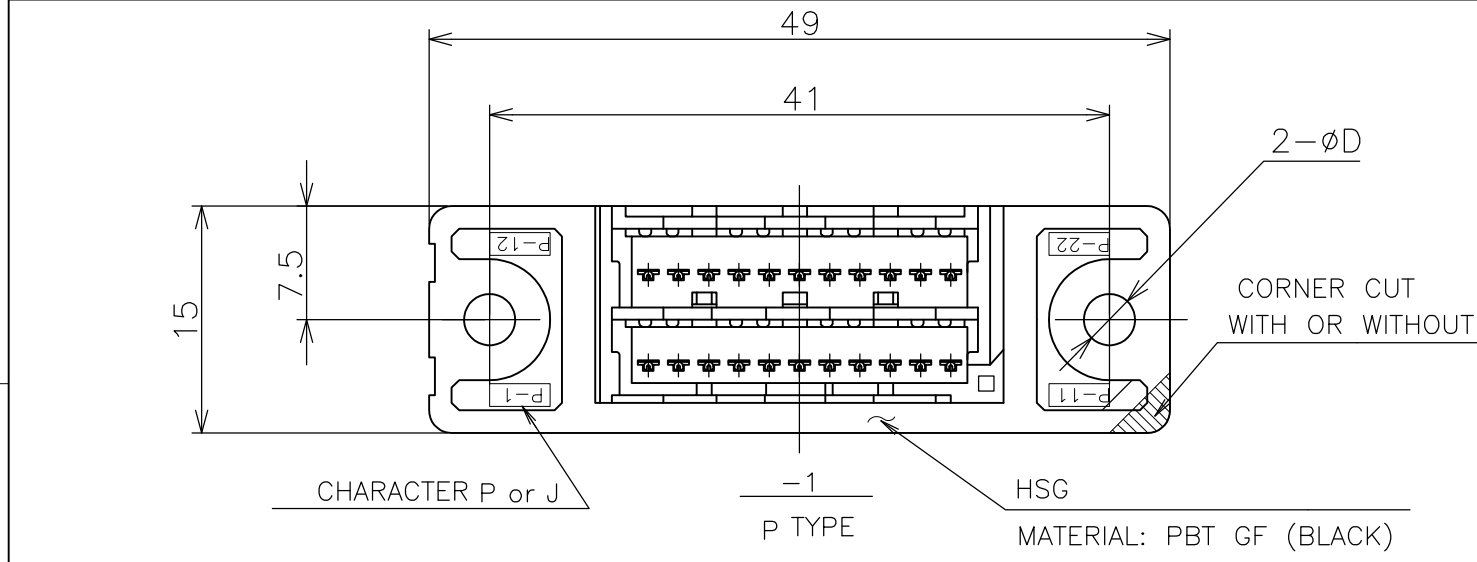


THIS DRAWING IS UNPUBLISHED. RELEASED FOR PUBLICATION
 © COPYRIGHT - By - ALL RIGHTS RESERVED.

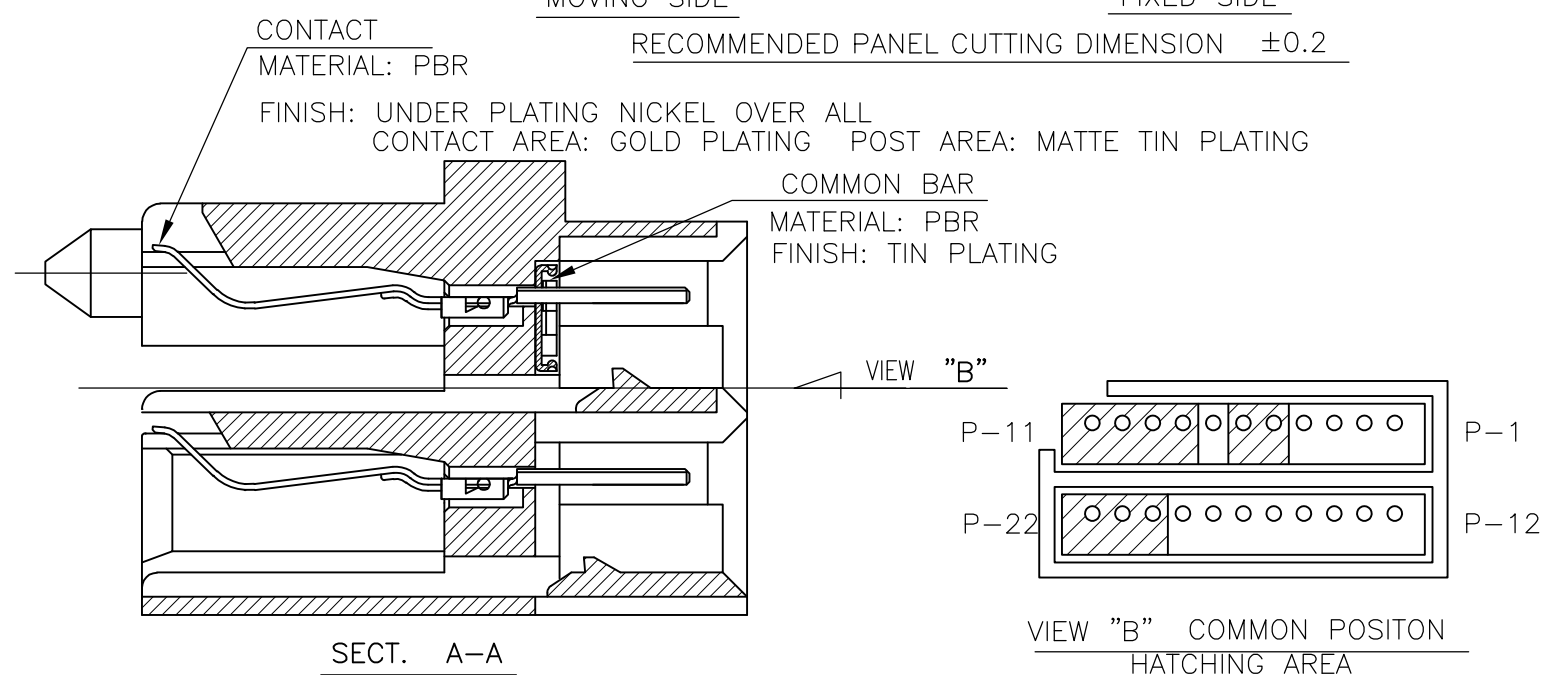
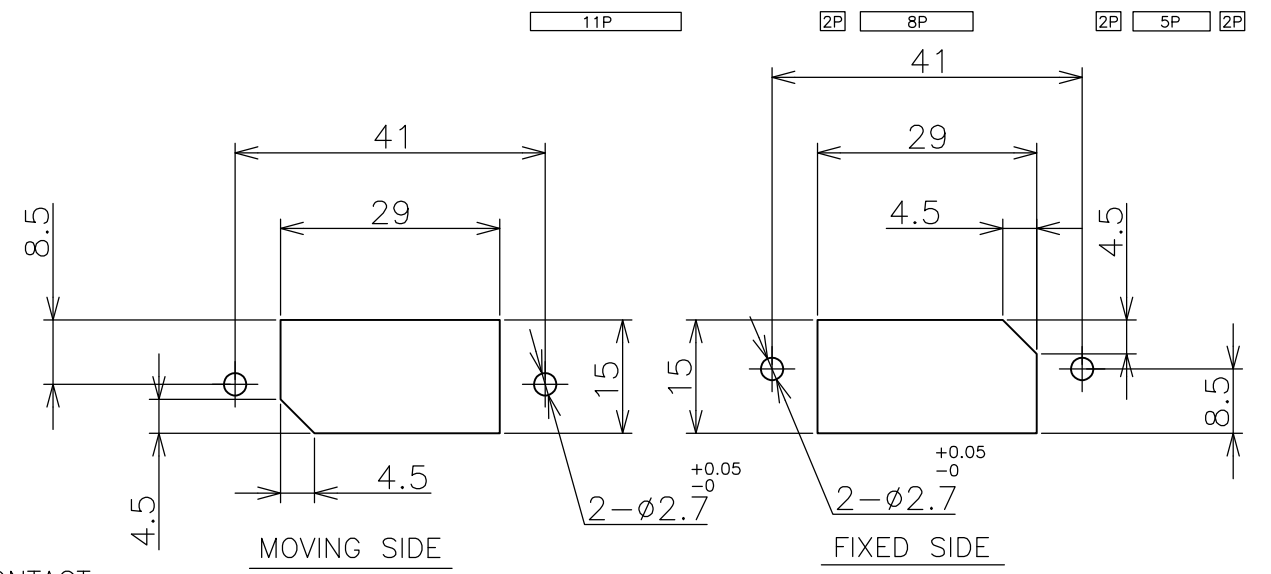
LOC	DIST	REVISIONS					
ES	00	P	LTR	DESCRIPTION	DATE	DWN	APVD
		B		REVISED ECO-13-006225	11APR2013	I.T	S.Y



TOLERANCE

10 ≥ *	±0.2
30 ≥ * > 10	±0.25
100 ≥ * > 30	±0.3
ANGLE	±3°

- NOTES:
 1 APPLIED USED TAPPING SCREW P/N: 176848-1
 2 MATING CONN. OF POST SIDE: AMP CT CONN. HAS FOLLOWING PATTERN



— —	CUT	4.4	J	5-292178-1
— —	— —	3.4	P	292178-1
COMMON TAB	CORNER CUT	D	HSG TYPE	P/N

THIS DRAWING IS A CONTROLLED DOCUMENT.

DIMENSIONS: mm	TOLERANCES UNLESS OTHERWISE SPECIFIED:	DWN J.JIANG 05FEB03	STE TE Connectivity
	0 PLC ± -	CHK S.YAO 05FEB03	
MATERIAL SEE SHEET	1 PLC ± -	APVD T.SASAKI 05FEB03	
	2 PLC ± -	PRODUCT SPEC 108-60021	
	3 PLC ± -	APPLICATION SPEC	NAME
	4 PLC ± -	WEIGHT	SIZE CAGE CODE DRAWING NO RESTRICTED TO
	ANGLES ± -	CUSTOMER DRAWING	A3 00779 C-292178
	FINISH SEE SHEET	SCALE NTS SHEET 1 OF 1 REV B	