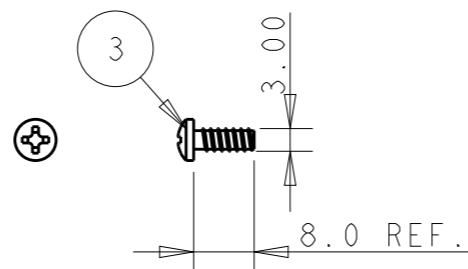
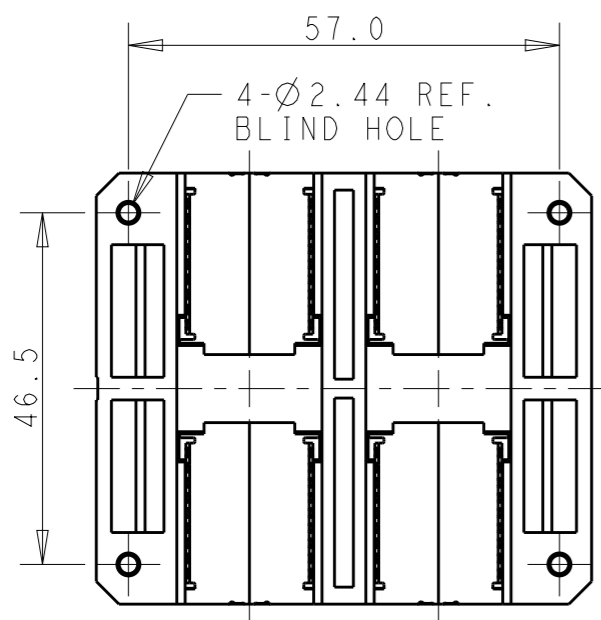
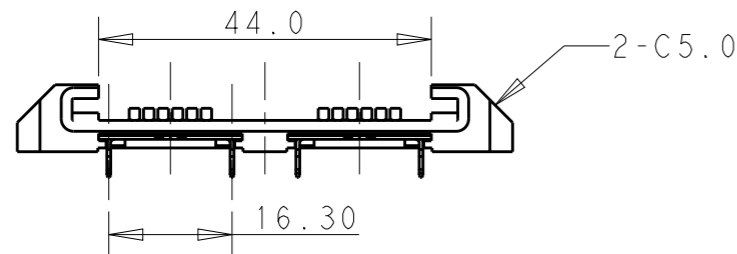
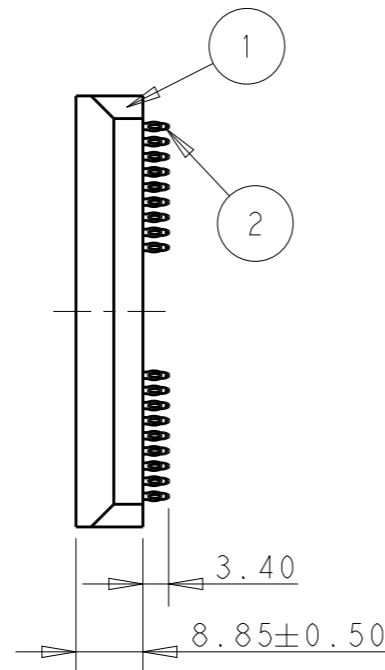
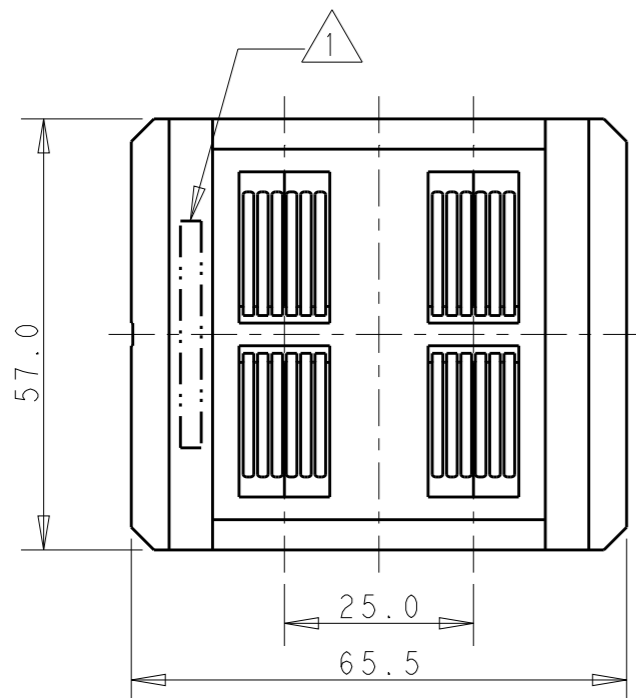


THIS DRAWING IS UNPUBLISHED. RELEASED FOR PUBLICATION 20
 © COPYRIGHT 20 BY - ALL RIGHTS RESERVED.

REVISIONS

P	LTR	DESCRIPTION	DATE	DWN	APVD
	A	INITIAL RELEASED	09APR2019	TZ	SZ



NOTES:

- 1. PART NUMBER AND DATE CODE.
- 2. MATERIAL:
HOUSING: THERMO PLASTIC, COLOR:BLACK.
CONTACT: COPPER ALLOY.
SCREW: STEEL.
- 3. FINISH:
CONTACT: PERFORMANCE BASED PLATING;
SCREW:ZINC PLATING OVER ALL.
- 4. PCB HOLE:
DRILLED DIMENSION:1.150±0.025 MM;
PLATING:0.0076 MM MIN. Sn OVER 0.025~0.076 MM Cu PLATING;
PLATED DIMENSION:1.020±0.050 MM.
- 5.RECOMMENDED SCREW TORQUE:0.50±0.10 N*M.
- 6.LOW Br/CI AS DEFINED IN TEC-138-702.

PART NUMBER:2204740-1

ITEM	DESCRIPTION	QUANTITY	MATERIAL	FINISH
3	SELF-TAPING SCREW, Ø3.00	4	2	3
2	CONTACT	4	2	3
1	HOUSING	1	2	

THIS DRAWING IS A CONTROLLED DOCUMENT.		DWN RADAR SUN 29-SEP-17	TE Connectivity	
DIMENSIONS: mm		CHK SUNY ZHAO 29-SEP-17		
TOLERANCES UNLESS OTHERWISE SPECIFIED:		APVD SUNY ZHAO 29-SEP-17		
0 PLC ±- 1 PLC ±0.50 2 PLC ±0.25 3 PLC ±0.05 4 PLC ±- ANGLES ±-		PRODUCT SPEC 108-128065		
MATERIAL		APPLICATION SPEC 114-128067	NAME 75A/POLE, DUAL POLE SLIDING POWER CONNECTOR	
FINISH		WEIGHT	SIZE A3	CAGE CODE 00779
		CUSTOMER DRAWING	DRAWING NO C-2204740	RESTRICTED TO
		SCALE 1:1	SHEET 1 OF 2	REV A

4

3

2

1

THIS DRAWING IS UNPUBLISHED.

RELEASED FOR PUBLICATION

20

© COPYRIGHT 20

BY -

ALL RIGHTS RESERVED.

REVISIONS

P	LTR	DESCRIPTION	DATE	DWN	APVD
-	-	SEE SHEET 1	-	-	-

$\triangle 4$
 $\varnothing 1.020$ TYP. PLATED THROUGH HOLE
 $\varnothing 3.500$ TYP. THROUGH HOLE

1.200
 2.000(PITCH)
 46.500
 16.900
 57.000
 41.300
 8.700

RECOMMENDED PCB LAYOUT
THICKNESS=2.20±0.22 MM

2-15.00 PLATING AREA
 25.00
 48.00

RECOMMENDED MATED BUS BAR PCB
0.0025MM MIN. NICKEL + 0.000375MM MIN. GOLD PLATING;
THICKNESS=1.60±0.16 MM.

THIS DRAWING IS A CONTROLLED DOCUMENT.

DWN 29-SEP-17

RADAR SUN

CHK 29-SEP-17

SUNY ZHAO

APVD 29-SEP-17

SUNY ZHAO

PRODUCT SPEC

108-128065

APPLICATION SPEC

114-128067

WEIGHT

-

CUSTOMER DRAWING

TE Connectivity

NAME
75A/POLE, DUAL POLE
SLIDING POWER CONNECTOR

SIZE	CAGE CODE	DRAWING NO	RESTRICTED TO
A3	00779	C=2204740	-

A300779C=2204740

SCALE 1:1 SHEET 2 OF 2 REV A

DIMENSIONS:

mm

TOLERANCES UNLESS OTHERWISE SPECIFIED:

0 PLC	±-
1 PLC	±0.50
2 PLC	±0.25
3 PLC	±0.05
4 PLC	±-
ANGLES	±-

MATERIAL

-

FINISH

-

1470-19 (3/13)