

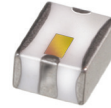
# Ceramic Low Pass Filter

## LFCV-1450+

50Ω DC to 1450 MHz

### Product Features

- Small size (.126" x .098" x .059")
- Temperature stable
- Hermetically sealed



Generic photo used for illustration purposes only  
CASE STYLE: JV1210C

### +RoHS Compliant

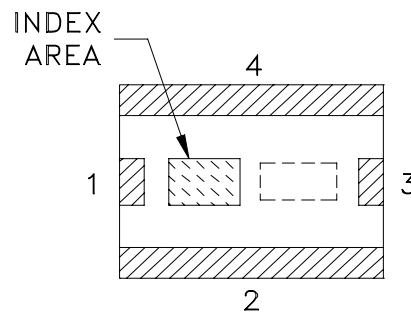
The +Suffix identifies RoHS Compliance. See our web site for RoHS Compliance methodologies and qualifications

### Typical Applications

- Harmonic rejection
- VHF/UHF transmitters / receivers
- Lab use
- DECT/PACS/PHS/GSM/DCS/WLAN

### General Description

The LFCV-1450+ (RoHS compliant) is constructed with new Ferrite material LTCC multi layer. The existing LFCN-1450+ is cut off at frequency 1825 MHz. But LFCV-1450+ is cut off at frequency 1500 MHz with same pass band frequency, DC-1450 MHz. The rejection frequency is much improved.



### Pad Description

Function	Pad Number	Description
RF IN	1	RF input
RF-OUT	3	RF output
GND	2,4	Connected to ground

#### Notes

- A. Performance and quality attributes and conditions not expressly stated in this specification document are intended to be excluded and do not form a part of this specification document.  
 B. Electrical specifications and performance data contained in this specification document are based on Mini-Circuit's applicable established test performance criteria and measurement instructions.  
 C. The parts covered by this specification document are subject to Mini-Circuits standard limited warranty and terms and conditions (collectively, "Standard Terms"); Purchasers of this part are entitled to the rights and benefits contained therein. For a full statement of the Standard Terms and the exclusive rights and remedies thereunder, please visit Mini-Circuits' website at [www.minicircuits.com/MCLStore/terms.jsp](http://www.minicircuits.com/MCLStore/terms.jsp)

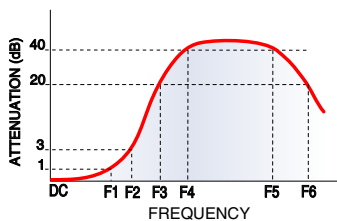


Electrical Specifications<sup>1</sup> at 25°C, 50Ω

Parameter		F#	Frequency (MHz)	Min.	Typ.	Max.	Unit
Pass Band	Insertion Loss	DC-F1	DC-1450	—	—	2.2	dB
	Freq. Cut-Off	F2	1500	—	3.0	—	dB
	VSWR	DC - F1	DC-1450	—	1.3	—	:1
Stop Band	Rejection Loss	F3	1650	20	—	—	dB
		F4 - F5	1800 - 2300	—	40	—	dB
	VSWR	F6	3000	—	20	—	dB
		F3 - F6	1650-3000	—	20	—	:1

1. Coupling capacitors at input and output are recommended for use in applications that require DC isolation of input to output port or other port to ground.

Typical Frequency Response



Absolute Maximum Ratings

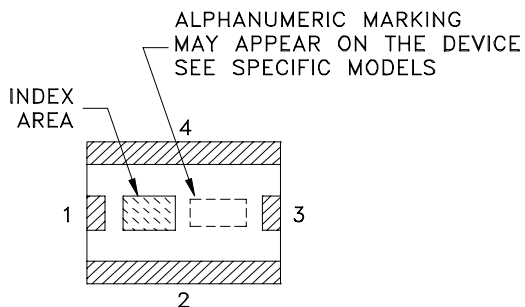
Operating Temperature	-40°C to 85°C
Storage Temperature*	-55°C to 100°C
RF Input Power**	0.5W at 25°C

\*12 months in vacuum sealed bag and 1 week after opened.

\*\*Passband rating, derate linearly to 0.125W at 85°C ambient

Permanent damage may occur if any of these limits are exceeded.

Product Marking



Notes

- A. Performance and quality attributes and conditions not expressly stated in this specification document are intended to be excluded and do not form a part of this specification document.
- B. Electrical specifications and performance data contained in this specification document are based on Mini-Circuit's applicable established test performance criteria and measurement instructions.
- C. The parts covered by this specification document are subject to Mini-Circuits standard limited warranty and terms and conditions (collectively, "Standard Terms"); Purchasers of this part are entitled to the rights and benefits contained therein. For a full statement of the Standard Terms and the exclusive rights and remedies thereunder, please visit Mini-Circuits' website at [www.minicircuits.com/MCLStore/terms.jsp](http://www.minicircuits.com/MCLStore/terms.jsp)

Characterization Test Circuit

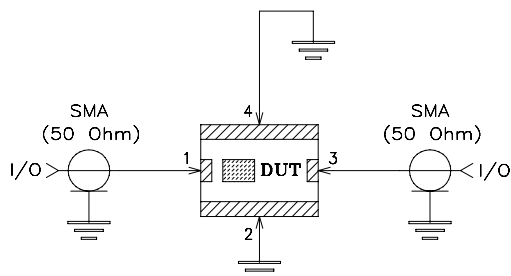
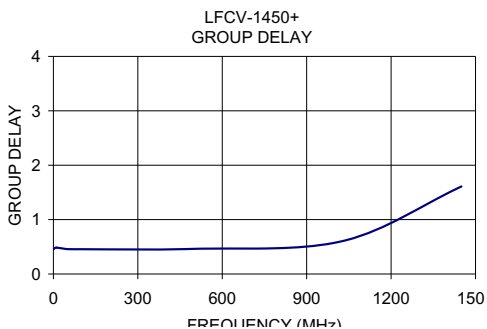
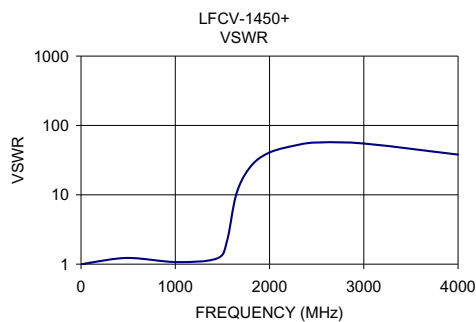
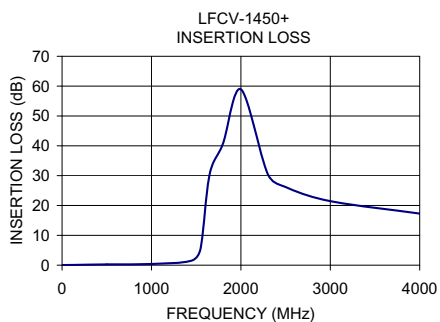


Fig 1. Block diagram of Test Circuit used for characterization, Test board TB-526+  
 Conditions:  
 Insertion loss, VSWR: Pin= 0 dBm

Typical Performance Data at 25°C

Frequency (MHz)	Insertion Loss (dB)	VSWR (:1)	Group Delay (ns)
1.00	0.04	1.00	0.46
10.00	0.03	1.00	0.49
50.00	0.06	1.02	0.46
100.00	0.08	1.05	0.46
500.00	0.26	1.23	0.46
1025.00	0.42	1.07	0.60
1450.00	1.54	1.22	1.61
1550.00	5.66	2.19	
1650.00	30.39	10.50	
1800.00	40.74	25.62	
2000.00	58.94	40.77	
2300.00	30.57	52.42	
2500.00	26.20	56.69	
3000.00	21.46	54.87	
4000.00	17.29	38.02	



Notes

- A. Performance and quality attributes and conditions not expressly stated in this specification document are intended to be excluded and do not form a part of this specification document.
- B. Electrical specifications and performance data contained in this specification document are based on Mini-Circuit's applicable established test performance criteria and measurement instructions.
- C. The parts covered by this specification document are subject to Mini-Circuits standard limited warranty and Terms and conditions (collectively, "Standard Terms"); Purchasers of this part are entitled to the rights and benefits contained therein. For a full statement of the Standard Terms and the exclusive rights and remedies thereunder, please visit Mini-Circuits' website at [www.minicircuits.com/MCLStore/terms.jsp](http://www.minicircuits.com/MCLStore/terms.jsp)



