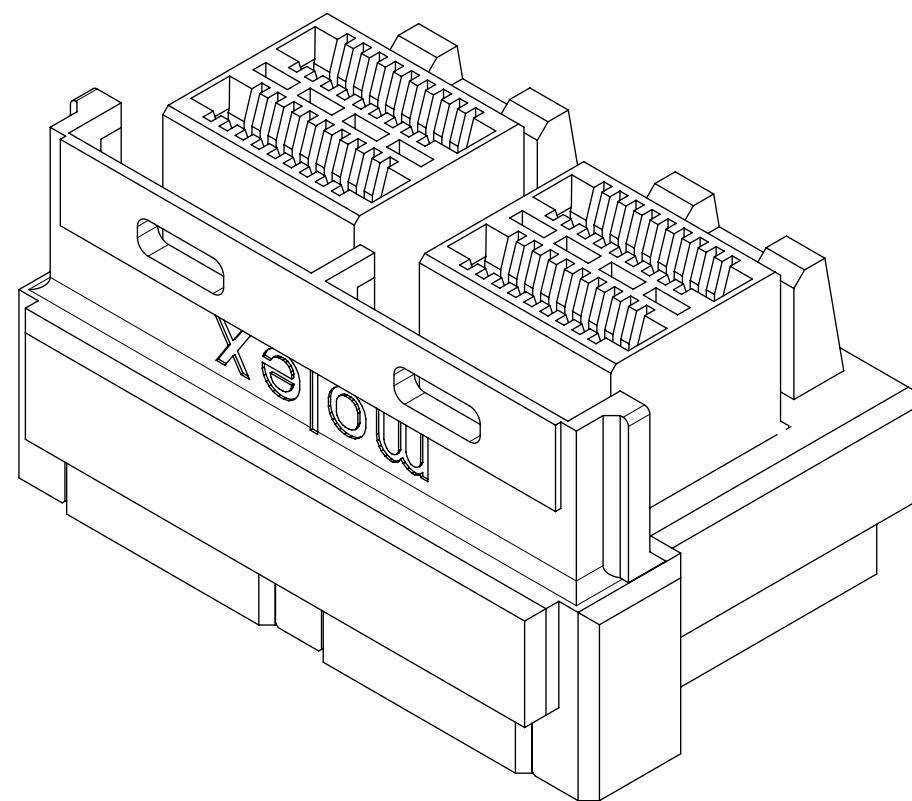
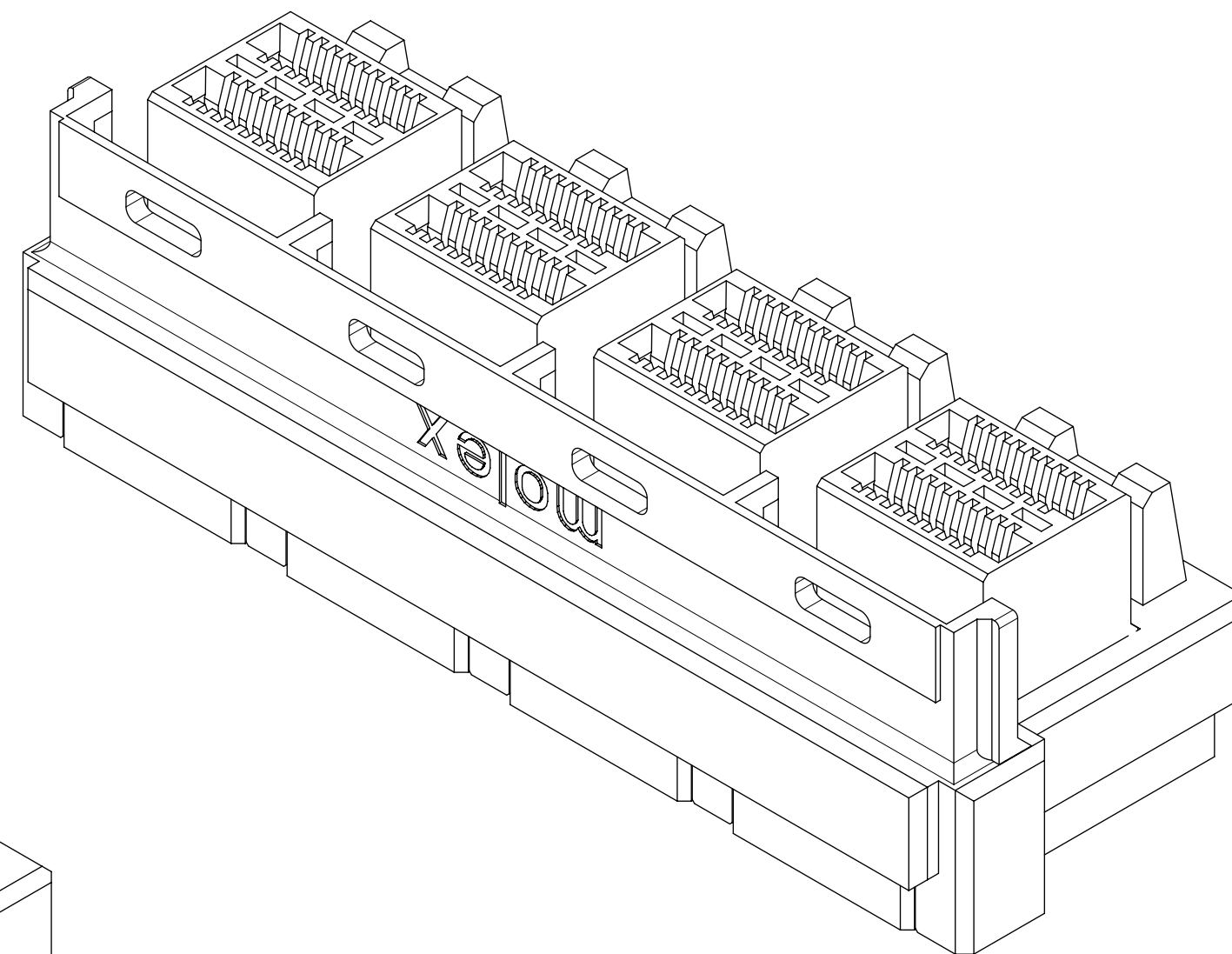


1 X 1



1 X 2



1 X 4

NOTES:

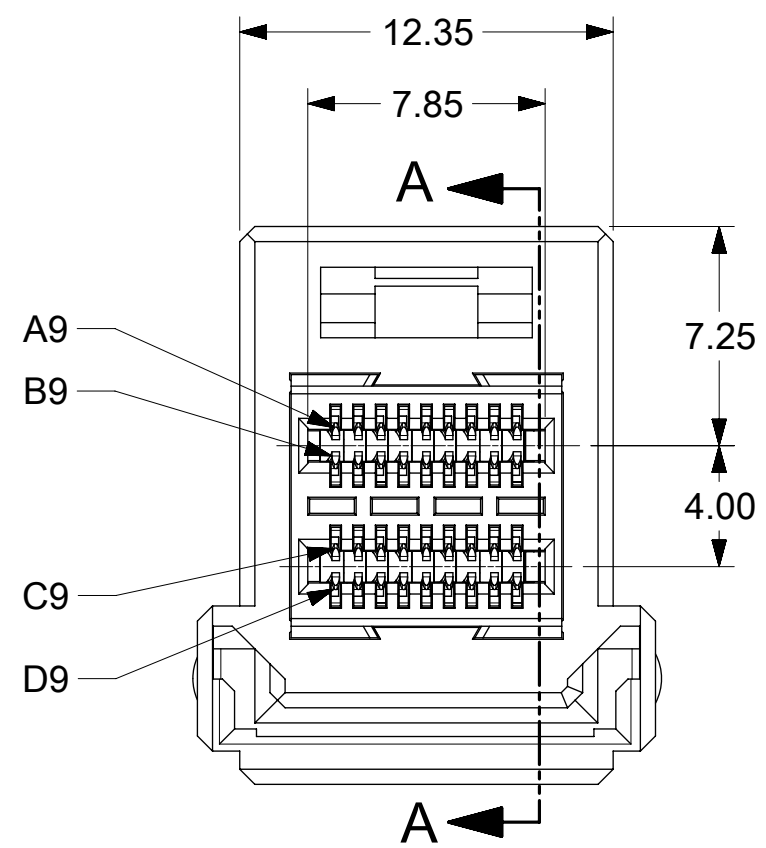
1. MATERIALS:  
CONNECTOR HOUSING: HIGH TEMPERATURE THERMOPLASTIC  
GLASS FILLED, UL 94V-0  
TERMINALS: COPPER ALLOY
2. FINISHES:  
CONTACT AREA: 0.76 μM MIN GOLD OVER 3.81 μM MIN NICKEL  
COMPLIANT AREA: 0.76 μM MIN TIN (LEAD FREE)  
OVER 1.27 μM MIN NICKEL
3. PRODUCT SPECIFICATION: PS-170729-001
4. PACKAGING SPECIFICATION: PK-76867-002
5. MATES WITH: MOLEX CABLE SERIES 111074 & 111076
6. MOUNTING HARDWARE NOT SUPPLIED.  
REFER TO APPLICATION SPECIFICATION AS-170729-0001.
7. PLUG MODULE PCB LAYOUT REFER TO SD-76866-9900

CONFIGURATION	MATERIAL NUMBER	TERMINAL OPTION	DIM 'A'
1X1	170729-0001	SHORT PIN	1.37
1X2	170729-0002		
1X4	170729-0004		
1X2	170729-1002	LONG PIN	1.62
1X4	170729-1004		

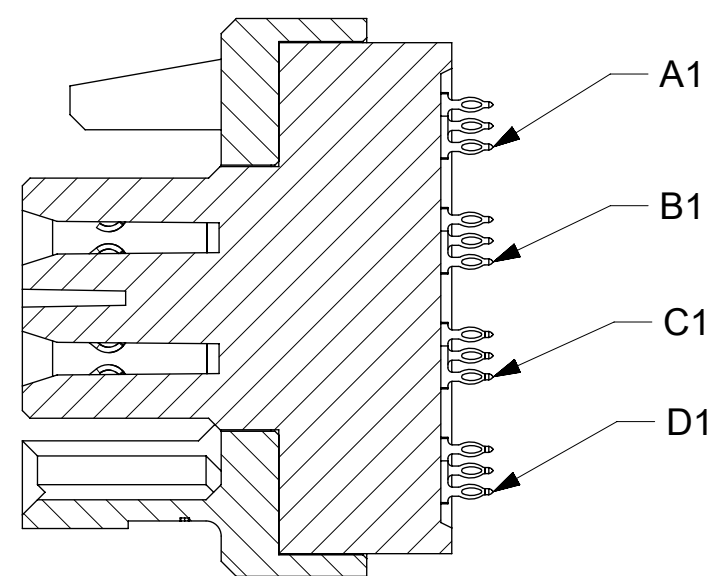
THIS DRAWING CONTAINS INFORMATION THAT IS PROPRIETARY TO MOLEX ELECTRONIC TECHNOLOGIES, LLC AND SHOULD NOT BE USED WITHOUT WRITTEN PERMISSION

DIMENSION UNITS		SCALE		CURRENT REV DESC: OBSOLETE PART NO									
mm		4:1											
GENERAL TOLERANCES (UNLESS SPECIFIED)				EC NO: 617985				IPASS VERTICAL ZHD INTERNAL ASSEMBLY 1X1, 1X2, 1X4					
		MM	INCH	DRWN: AKUMAR19 2019/05/27									
4 PLACES		±	±	CHK'D: GGA 2019/06/05				PRODUCT CUSTOMER DRAWING DOCUMENT NUMBER: SD-170729-0001   DOC TYPE: PSD   DOC PART: 000   REVISION: A1					
3 PLACES		±	±	APPR: GGA 2019/06/05									
2 PLACES		± 0.13	±	INITIAL REVISION:									
1 PLACE		± 0.25	±	DRWN: KLANG 2015/01/05									
0 PLACES		±	±	APPR: MBANAKIS 2015/01/07									
ANGULAR TOL		± 2.0 °		THIRD ANGLE PROJECTION									
DRAFT WHERE APPLICABLE MUST REMAIN WITHIN DIMENSIONS				DRAWING		SERIES		MATERIAL NUMBER		CUSTOMER		SHEET NUMBER	
				C-SIZE		170729		SEE TABLE		GENERAL MARKET		1 OF 8	

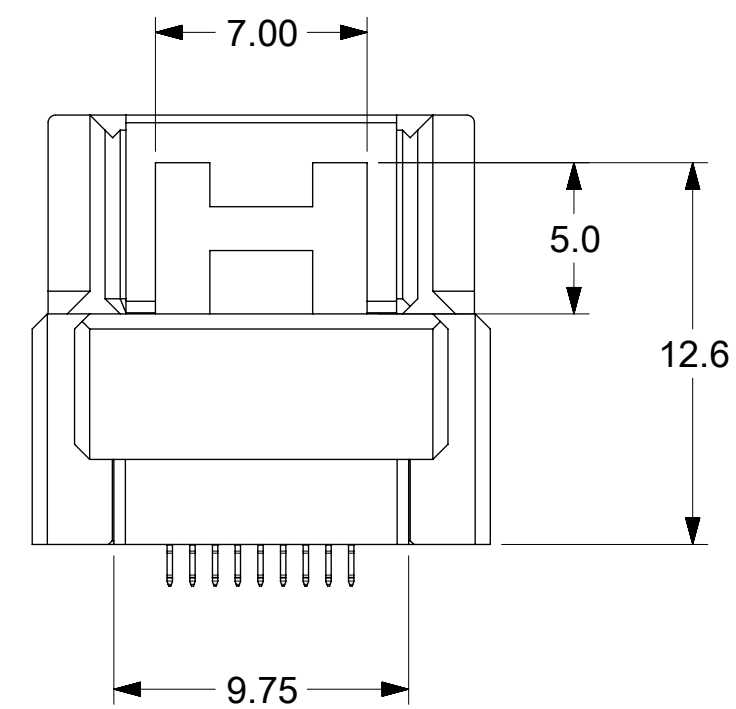
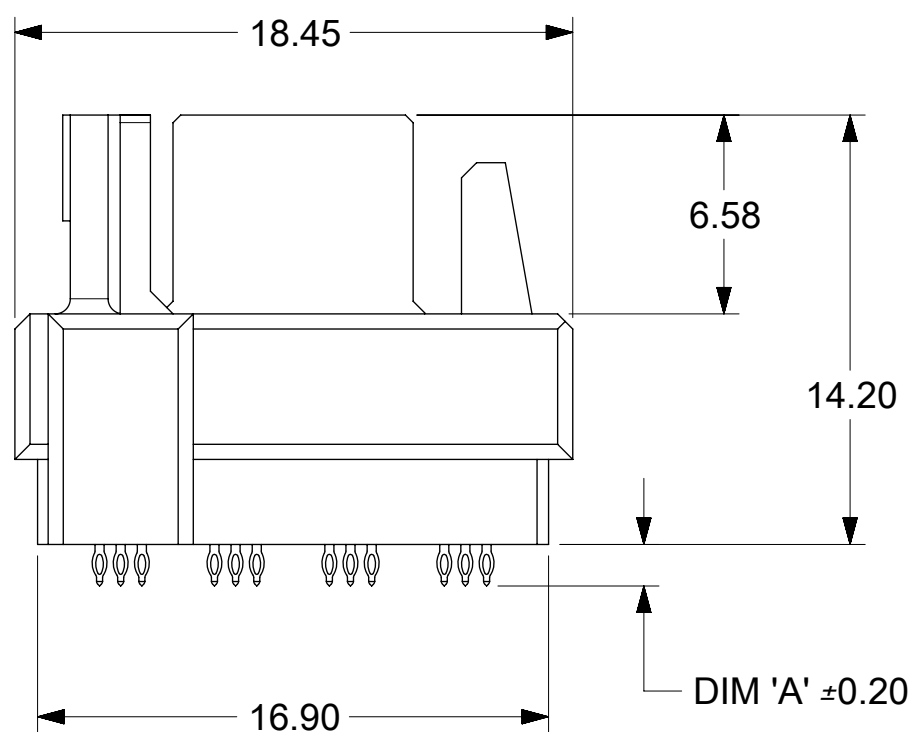
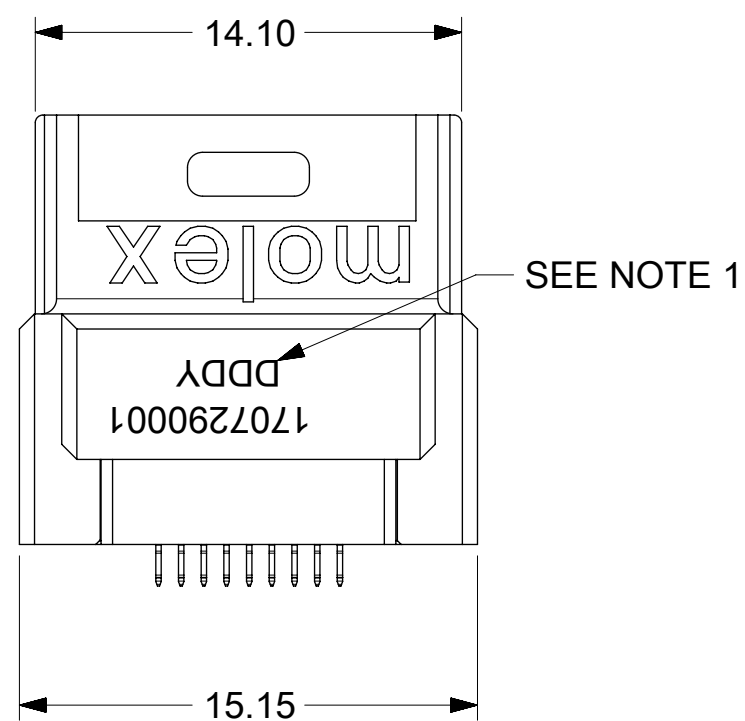
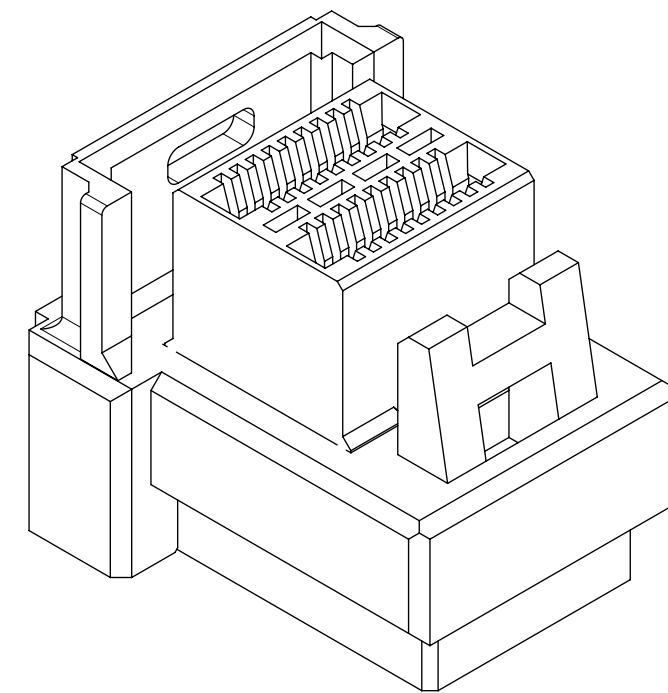
DOCUMENT STATUS	P1	RELEASE DATE	2019/06/05	03:09:14
-----------------	----	--------------	------------	----------



1X1 ASSEMBLY



SECTION A-A  
SCALE 4:1

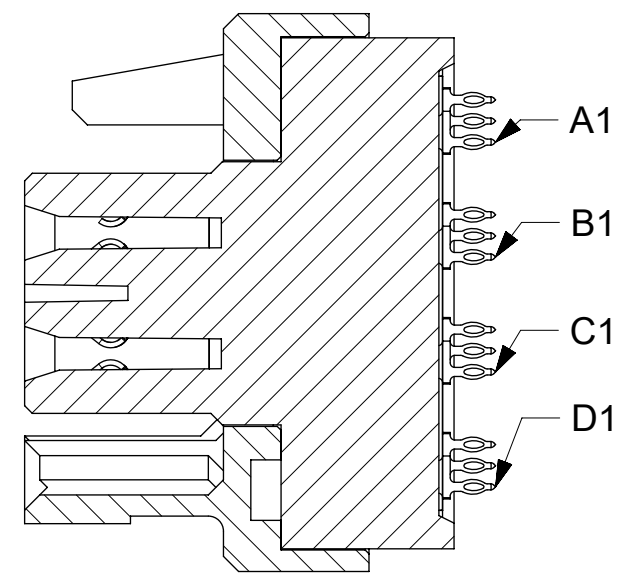
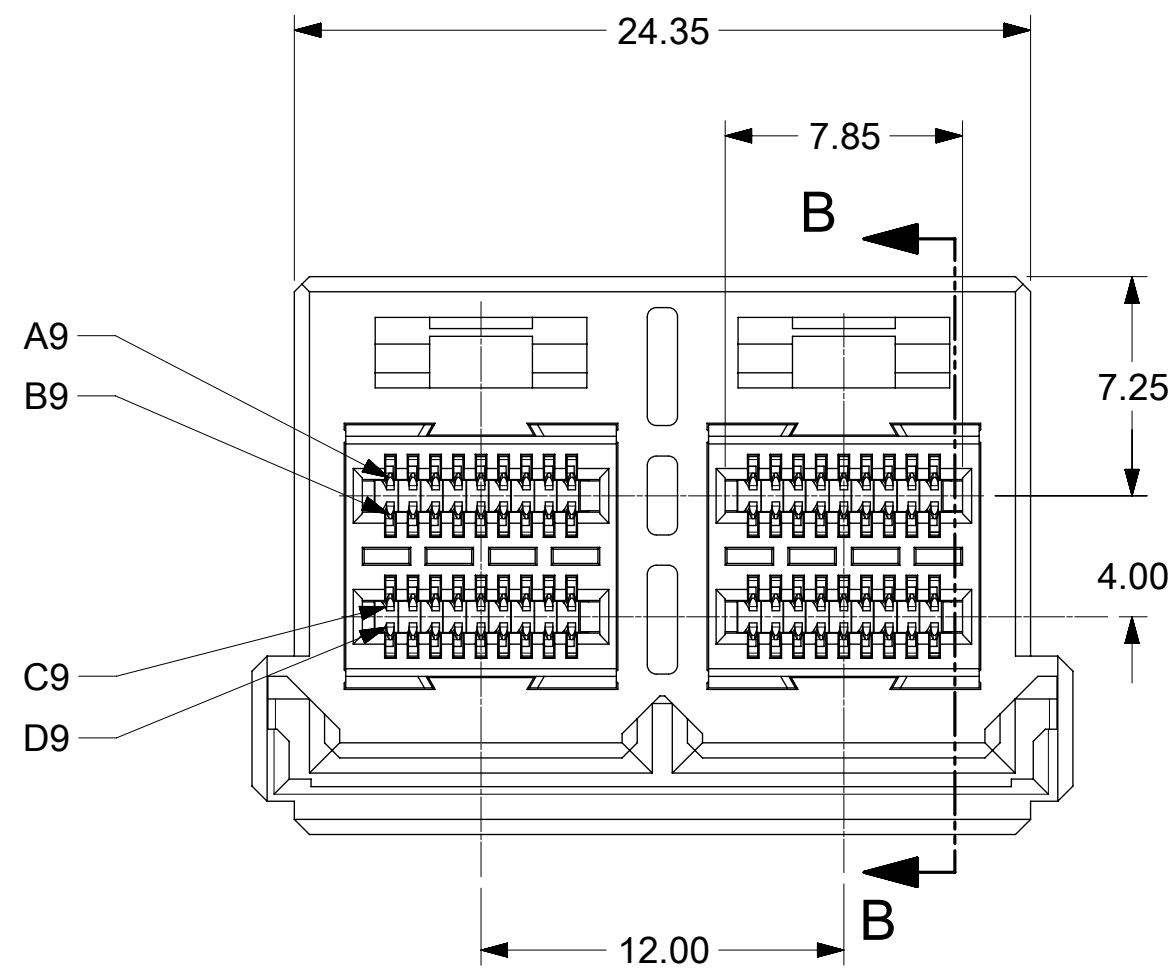


NOTES:  
1. MANUFACTURED DATE CODE (JULIAN CALENDAR) & PART NUMBER.

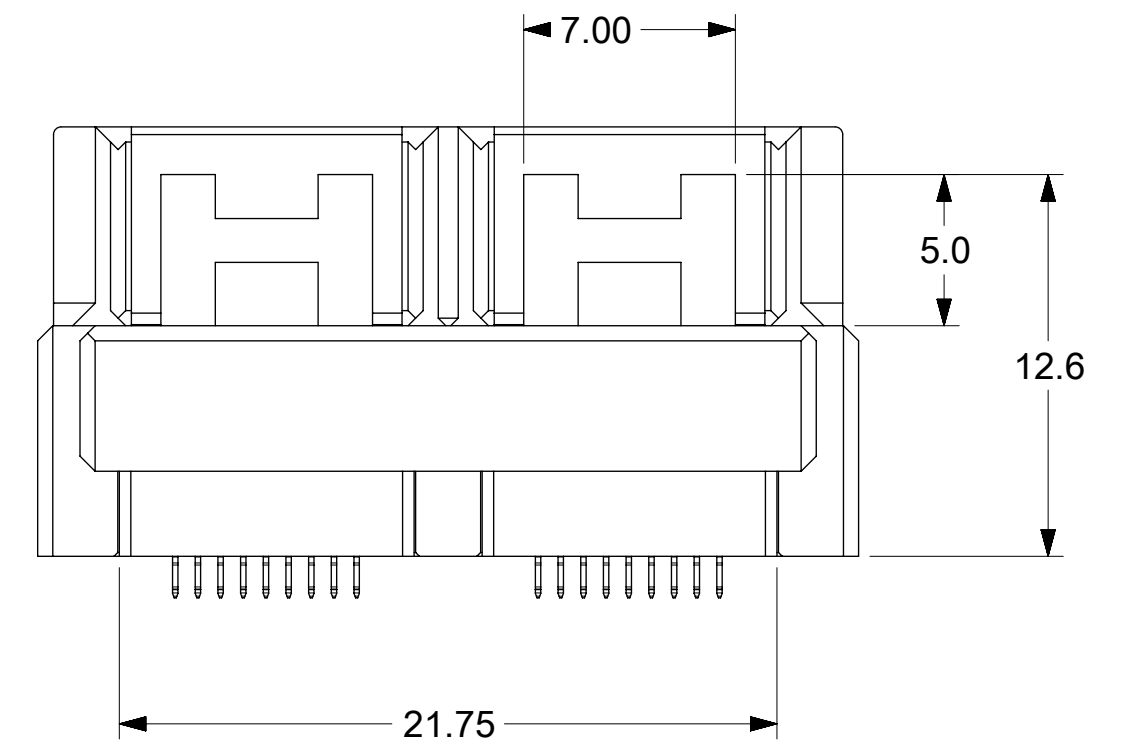
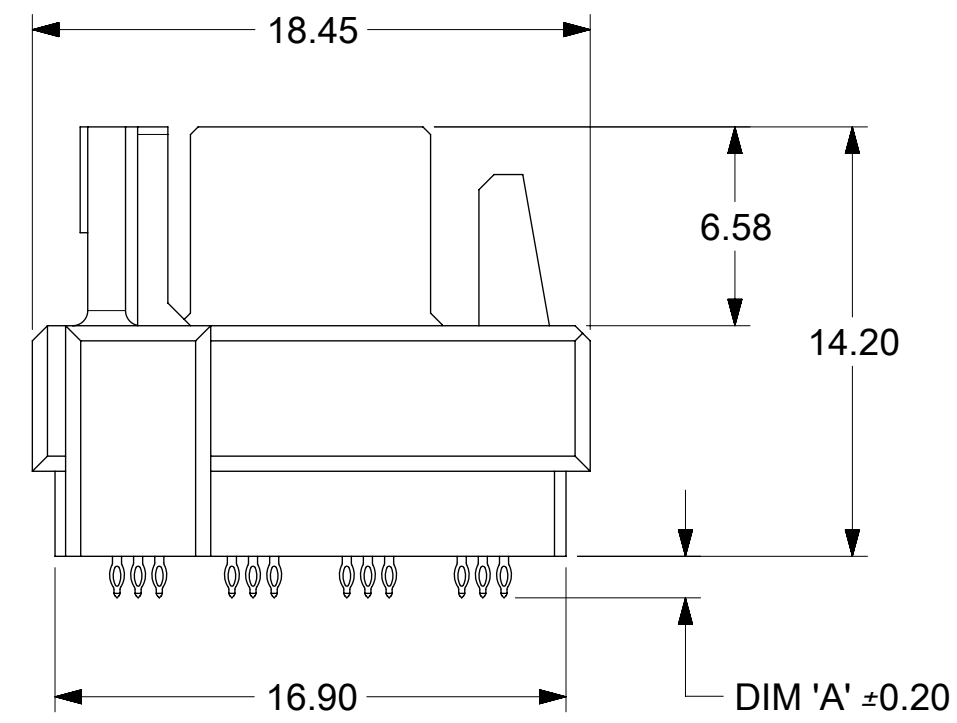
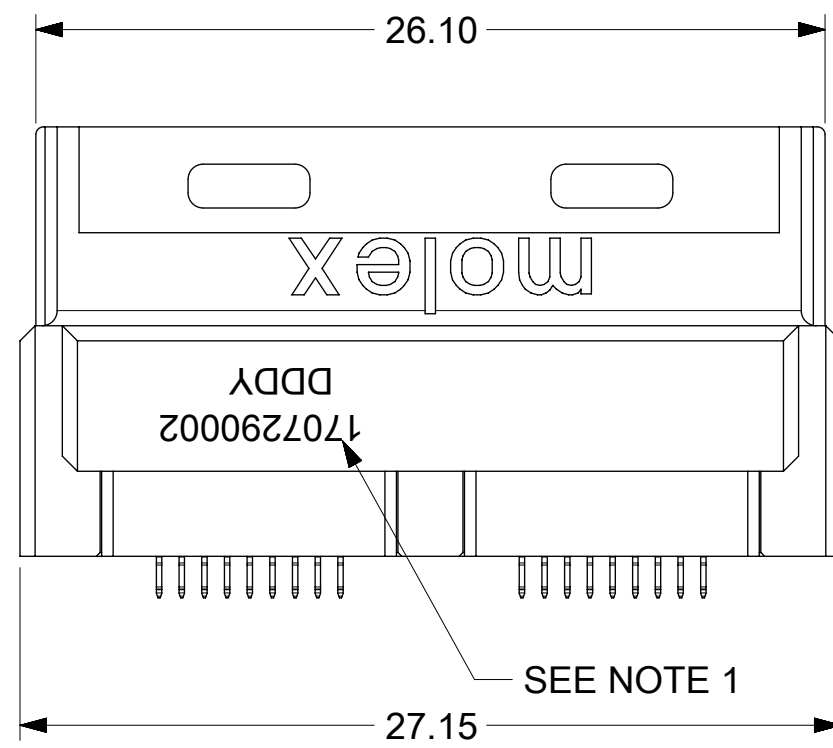
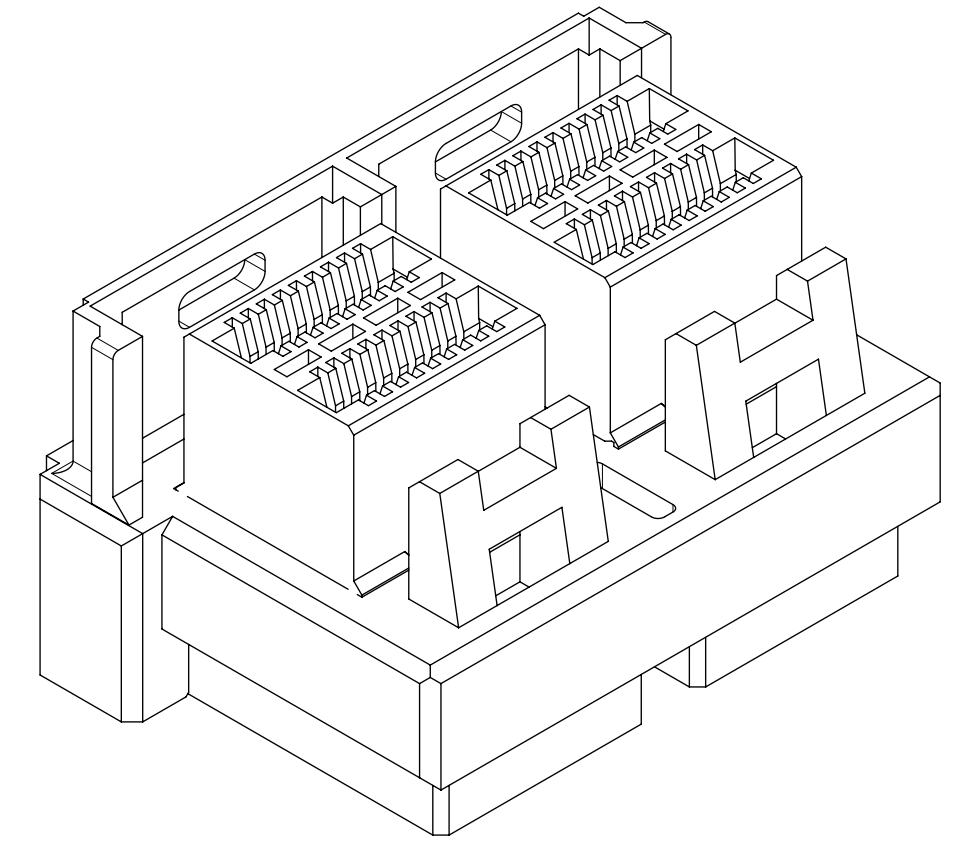
THIS DRAWING CONTAINS INFORMATION THAT IS PROPRIETARY TO MOLEX ELECTRONIC TECHNOLOGIES, LLC AND SHOULD NOT BE USED WITHOUT WRITTEN PERMISSION														
DIMENSION UNITS		SCALE		CURRENT REV DESC: OBSOLETE PART NO										
mm		4:1												
GENERAL TOLERANCES (UNLESS SPECIFIED)				EC NO: 617985		2019/05/27		<b>SD-170729-0001</b>						
				DRWN: AKUMAR19		2019/06/05								
				CHK'D: GGA		2019/06/05		<b>A1</b>						
				APPR: GGA		2019/06/05								
				INITIAL REVISION:						DOCUMENT NUMBER		DOC TYPE	DOC PART	REVISION
				DRWN: KLANG		2015/01/05		SD-170729-0001		PSD	000	A1		
				APPR: MBANAKIS		2015/01/07		MATERIAL NUMBER		CUSTOMER		SHEET NUMBER		
DRAFT WHERE APPLICABLE MUST REMAIN WITHIN DIMENSIONS				THIRD ANGLE PROJECTION		DRAWING		SERIES		GENERAL MARKET		2 OF 8		
						C-SIZE		170729						

DOCUMENT STATUS	P1	RELEASE DATE	2019/06/05	03:09:14
-----------------	----	--------------	------------	----------

# 1X2 ASSEMBLY



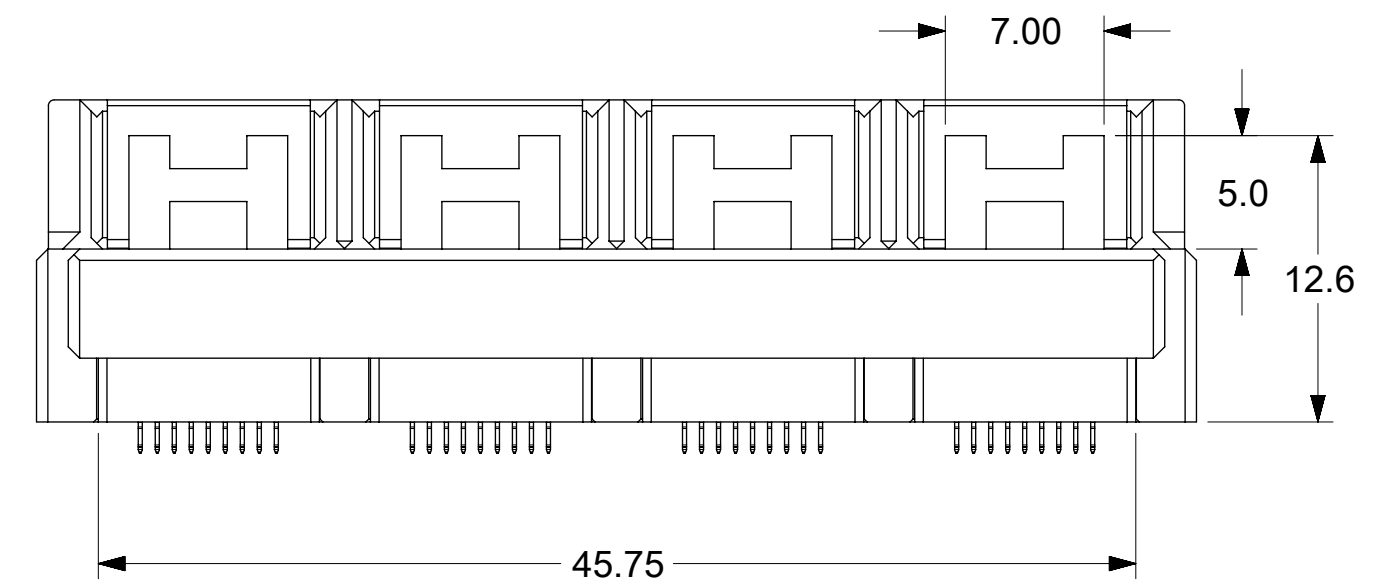
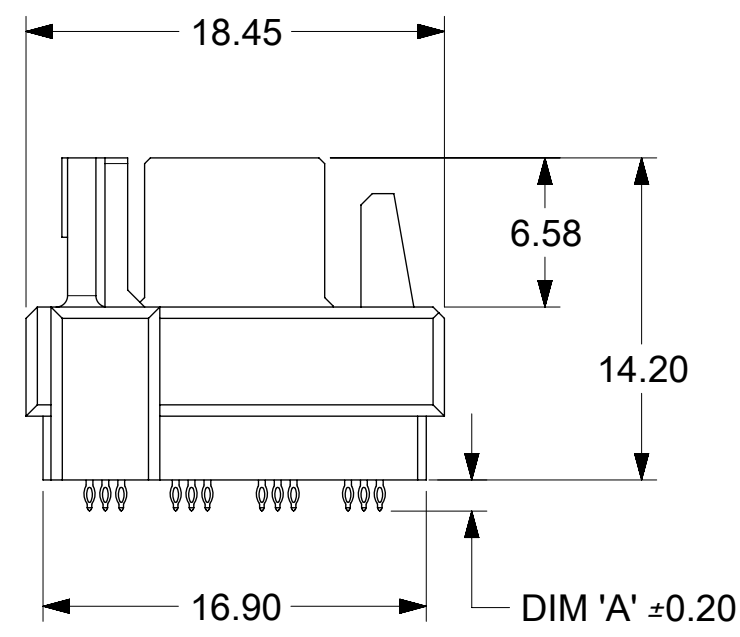
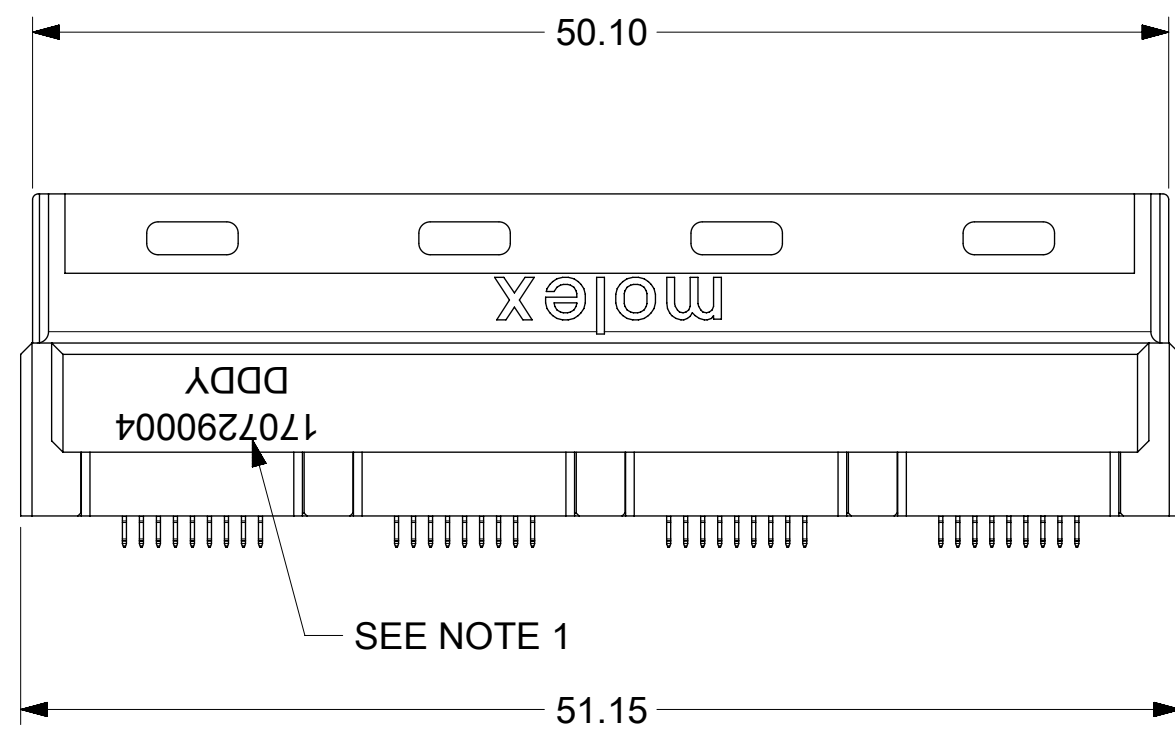
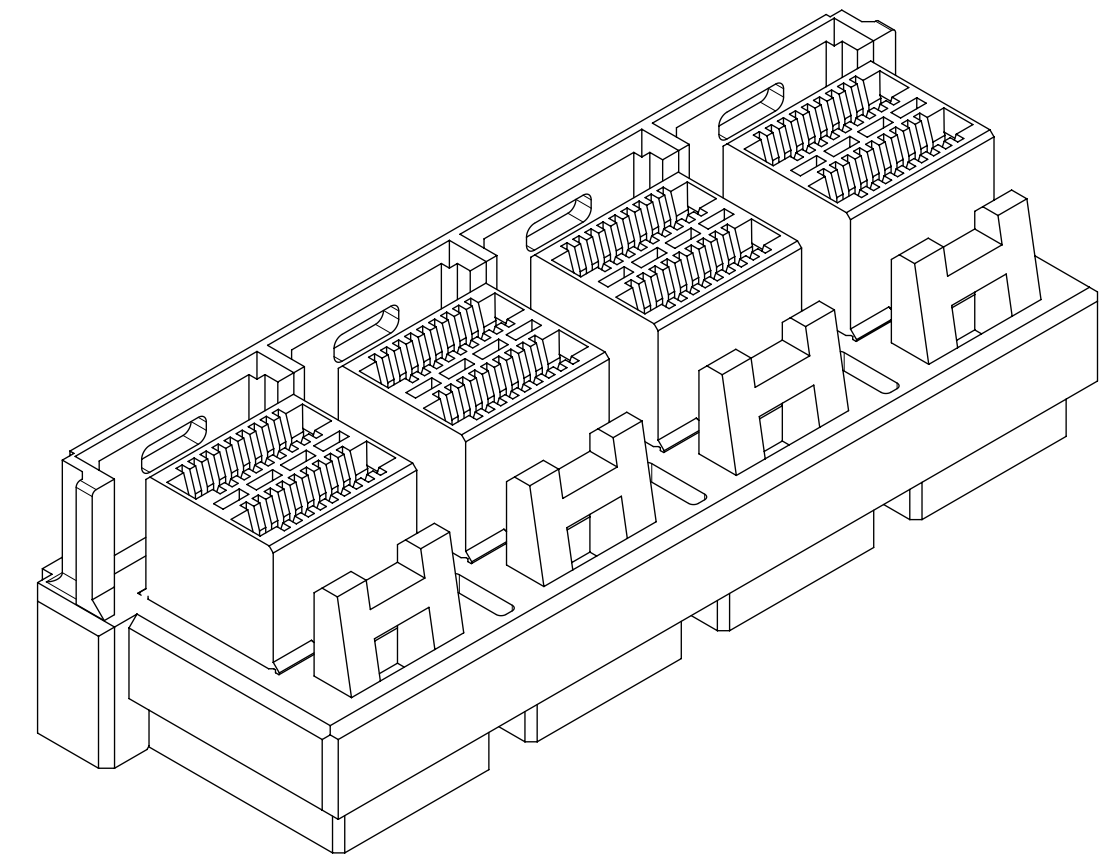
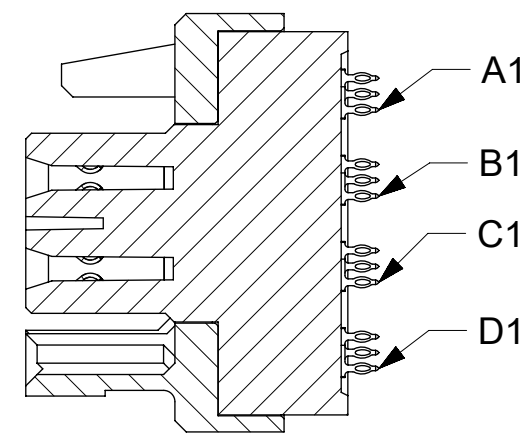
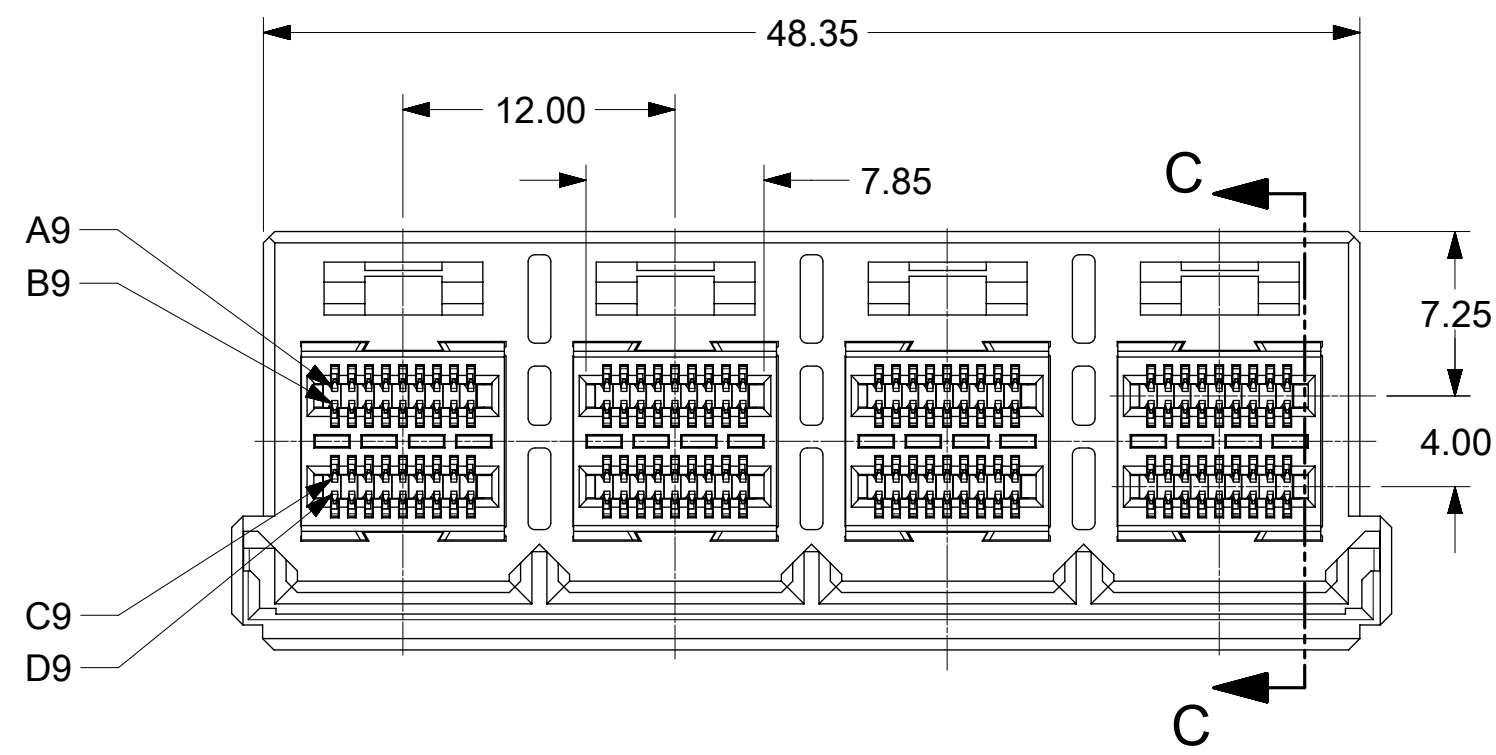
SECTION B-B



NOTES:  
1. MANUFACTURED DATE CODE (JULIAN CALENDAR) & PART NUMBER.

THIS DRAWING CONTAINS INFORMATION THAT IS PROPRIETARY TO MOLEX ELECTRONIC TECHNOLOGIES, LLC AND SHOULD NOT BE USED WITHOUT WRITTEN PERMISSION									
DIMENSION UNITS		SCALE		CURRENT REV DESC: OBSOLETE PART NO					
mm		4:1							
GENERAL TOLERANCES (UNLESS SPECIFIED)				EC NO: 617985		2019/05/27		IPASS VERTICAL ZHD INTERNAL ASSEMBLY 1X1, 1X2, 1X4	
4 PLACES		±		DRWN: AKUMAR19		2019/06/05			
3 PLACES		±		CHK'D: GGA		2019/06/05		PRODUCT CUSTOMER DRAWING DOCUMENT NUMBER: SD-170729-0001 DOC TYPE: PSD DOC PART: 000 REVISION: A1	
2 PLACES		± 0.13		APPR: GGA		2019/06/05			
1 PLACE		± 0.25		INITIAL REVISION:					
0 PLACES		±		DRWN: KLANG		2015/01/05			
ANGULAR TOL		± 2.0 °		APPR: MBANAKIS		2015/01/07			
DRAFT WHERE APPLICABLE MUST REMAIN WITHIN DIMENSIONS				THIRD ANGLE PROJECTION		DRAWING		SHEET NUMBER	
						C-SIZE		170729	
DOCUMENT STATUS		P1		RELEASE DATE		2019/06/05 03:09:14		SEE TABLE	
GENERAL TOLERANCES		P1		GENERAL MARKET		3 OF 8			

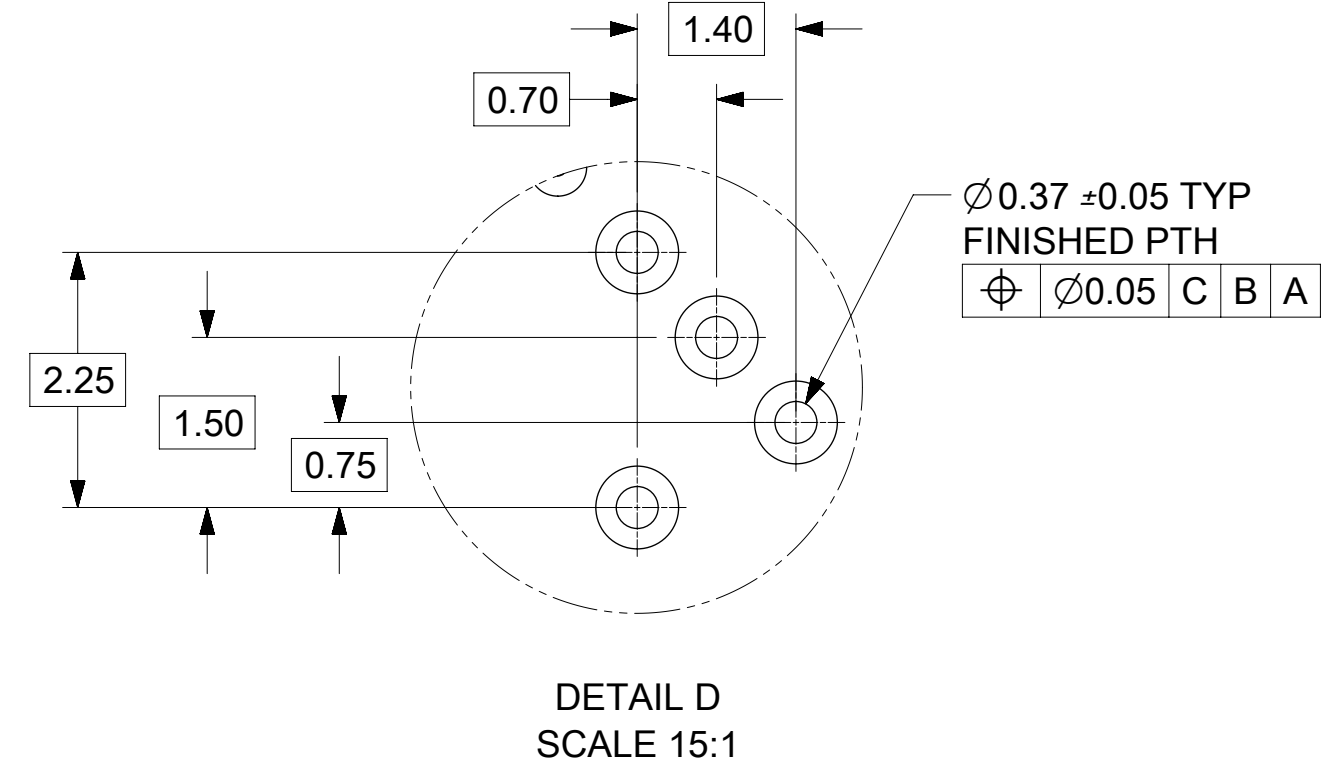
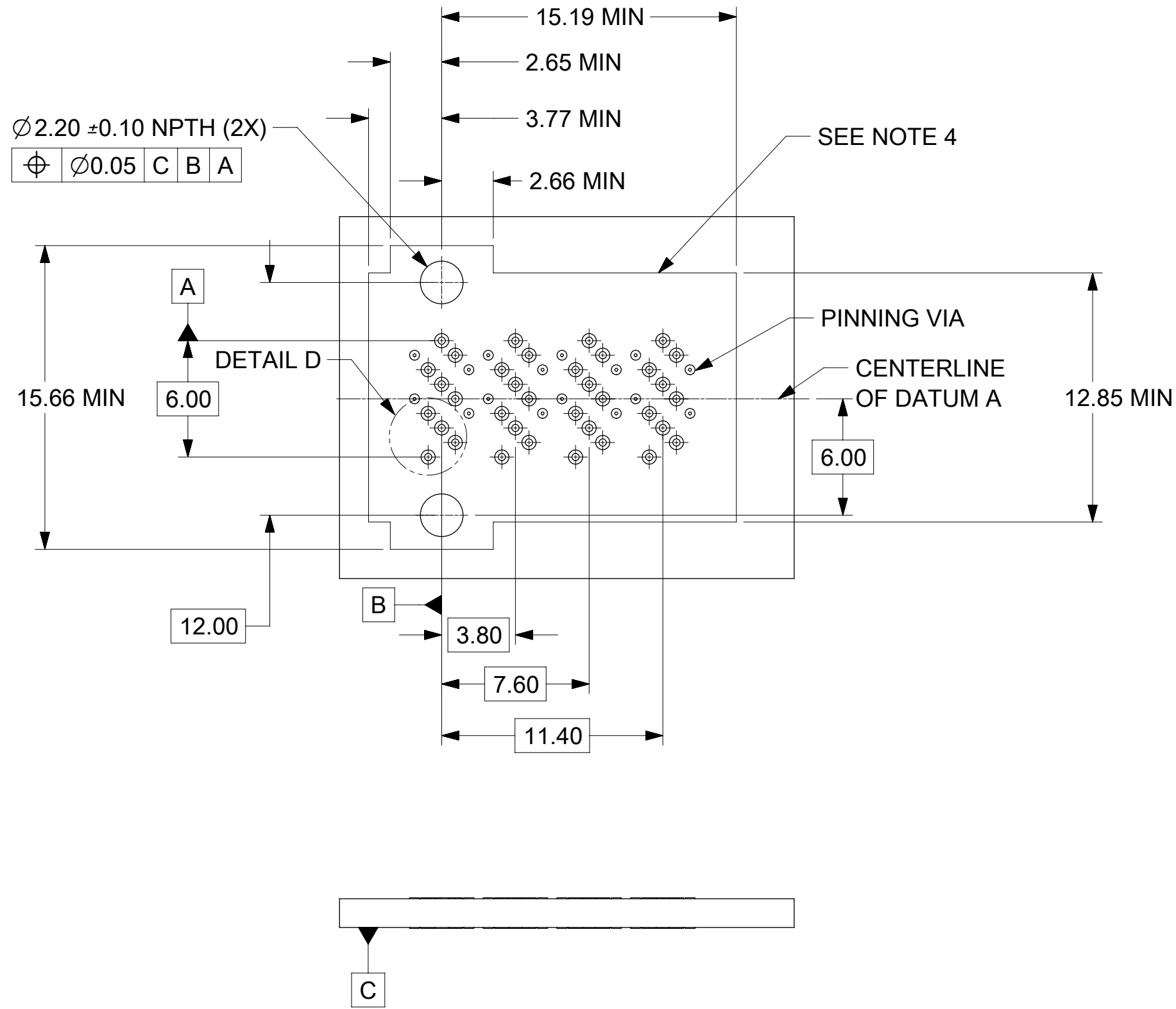
# 1X4 ASSEMBLY



NOTES:  
1. MANUFACTURED DATE CODE (JULIAN CALENDAR) & PART NUMBER.

THIS DRAWING CONTAINS INFORMATION THAT IS PROPRIETARY TO MOLEX ELECTRONIC TECHNOLOGIES, LLC AND SHOULD NOT BE USED WITHOUT WRITTEN PERMISSION													
DIMENSION UNITS		SCALE		CURRENT REV DESC: OBSOLETE PART NO									
mm		3:1		<b>molex</b> IPASS VERTICAL ZHD INTERNAL ASSEMBLY 1X1, 1X2, 1X4 PRODUCT CUSTOMER DRAWING									
GENERAL TOLERANCES (UNLESS SPECIFIED)										EC NO: 617985		2019/05/27	
4 PLACES		±	±							DRWN: AKUMAR19		2019/06/05	
3 PLACES		±	±							CHK'D: GGA		2019/06/05	
2 PLACES		± 0.13	±							APPR: GGA		2019/06/05	
1 PLACE		± 0.25	±	INITIAL REVISION:				DOCUMENT NUMBER					
0 PLACES		±	±	DRWN: KLANG		2015/01/05		SD-170729-0001					
ANGULAR TOL		± 2.0 °		APPR: MBANAKIS		2015/01/07		DOC TYPE DOC PART REVISION					
DRAFT WHERE APPLICABLE MUST REMAIN WITHIN DIMENSIONS				THIRD ANGLE PROJECTION		DRAWING		SHEET NUMBER					
				C-SIZE		170729		4 OF 8					
MATERIAL NUMBER		CUSTOMER		SEE TABLE GENERAL MARKET									

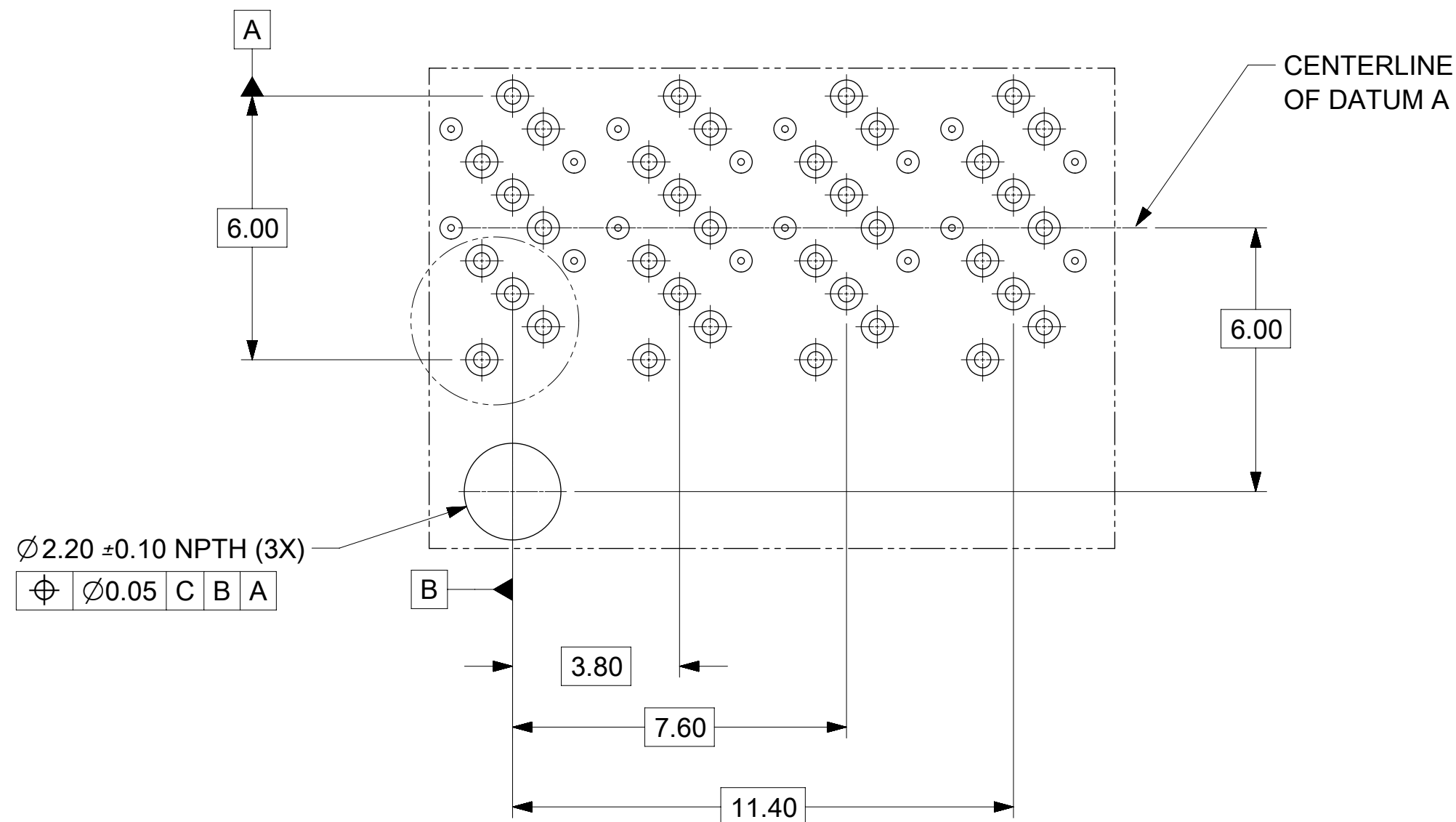
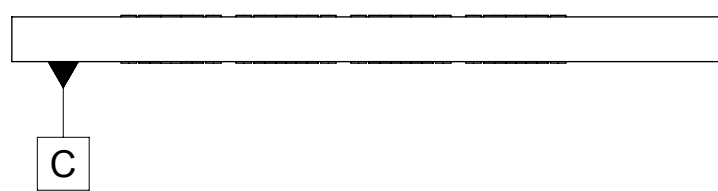
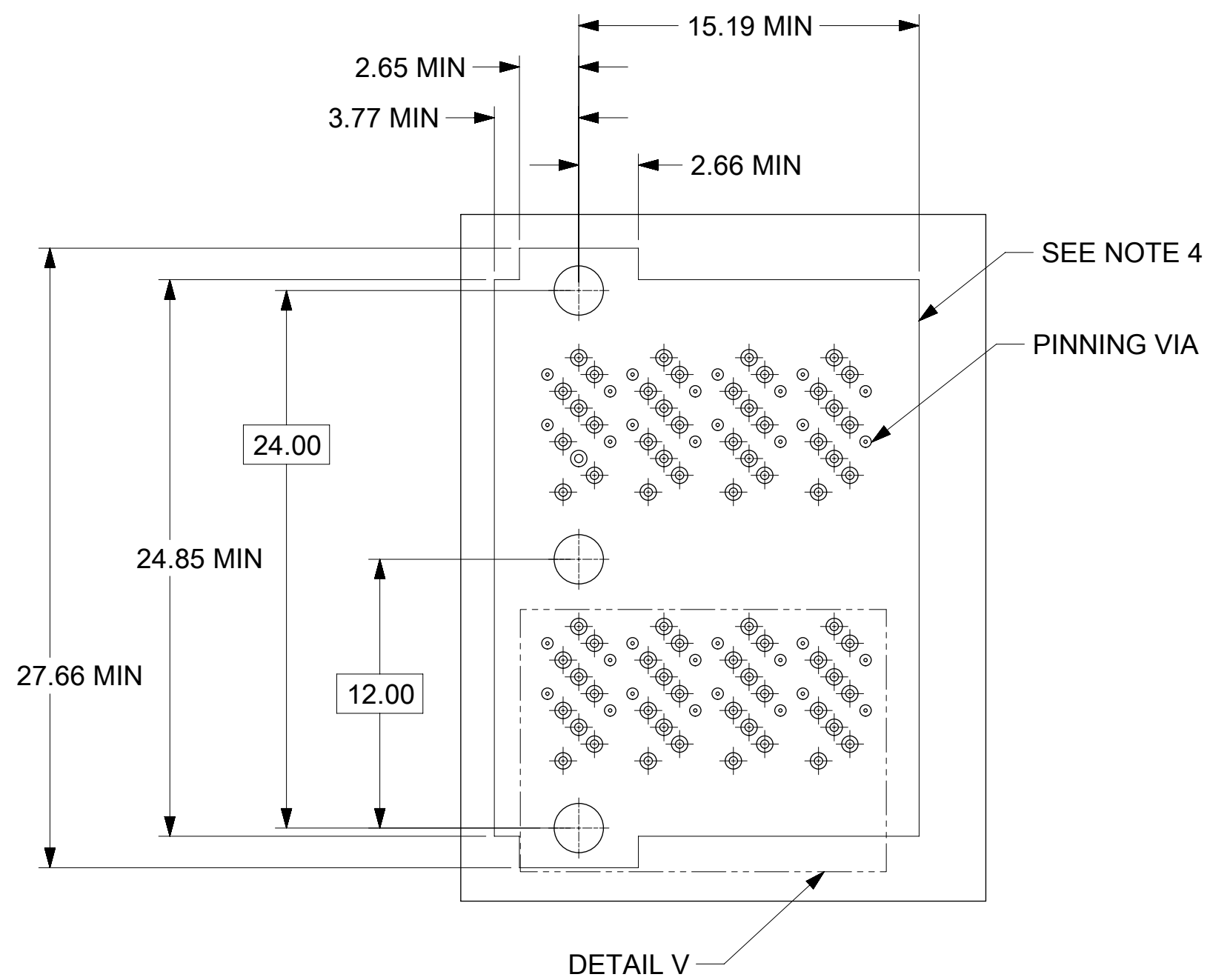
DOCUMENT STATUS	P1	RELEASE DATE	2019/06/05	03:09:14
-----------------	----	--------------	------------	----------



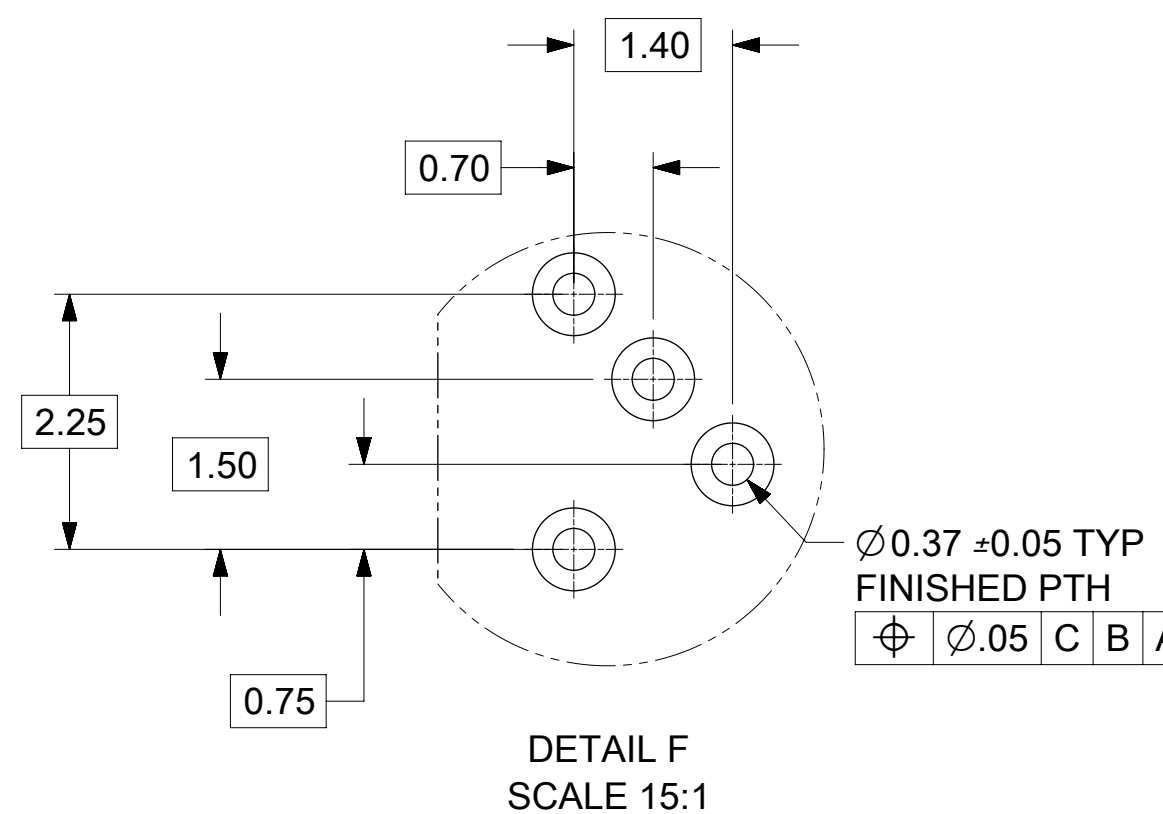
# 1X1 RECOMMENDED FOOTPRINT

- NOTES:
1. RECOMMENDED DRILL SIZE FOR A 0.37 $\phi$  FINISHED PTH REFER TO APPLICATION SPECIFICATION AS-170729-0001
  2. MINIMUM RECOMMENDED SPACING IS 16.00MM
  3. MINIMUM RECOMMENDED PCB THICKNESS: 1.57MM
  4. CONNECTOR KEEP OUT AREA

THIS DRAWING CONTAINS INFORMATION THAT IS PROPRIETARY TO MOLEX ELECTRONIC TECHNOLOGIES, LLC AND SHOULD NOT BE USED WITHOUT WRITTEN PERMISSION									
DIMENSION UNITS		SCALE		CURRENT REV DESC: OBSOLETE PART NO					
mm		4:1							
GENERAL TOLERANCES (UNLESS SPECIFIED)				EC NO: 617985		2019/05/27		IPASS VERTICAL ZHD INTERNAL ASSEMBLY 1X1, 1X2, 1X4	
		MM	INCH	DRWN: AKUMAR19		2019/06/05			
4 PLACES		±	±	CHK'D: GGA		2019/06/05		PRODUCT CUSTOMER DRAWING DOCUMENT NUMBER: SD-170729-0001 DOC TYPE: PSD DOC PART: 000 REVISION: A1	
3 PLACES		±	±	APPR: GGA		2019/06/05			
2 PLACES		± 0.13	±	INITIAL REVISION:					
1 PLACE		± 0.25	±	DRWN: KLANG		2015/01/05			
0 PLACES		±	±	APPR: MBANAKIS		2015/01/07			
ANGULAR TOL		± 2.0 °		THIRD ANGLE PROJECTION		DRAWING		SERIES	
DRAFT WHERE APPLICABLE MUST REMAIN WITHIN DIMENSIONS						C-SIZE		170729	
DOCUMENT STATUS		P1		RELEASE DATE		2019/06/05 03:09:14		MATERIAL NUMBER	
								SEE TABLE	
								CUSTOMER	
								GENERAL MARKET	
								SHEET NUMBER	
								5 OF 8	



DETAIL E  
SCALE 8:1



DETAIL F  
SCALE 15:1

NOTES:

1. RECOMMENDED DRILL SIZE FOR A 0.37Ø FINISHED PTH REFER TO APPLICATION SPECIFICATION AS-170729-0001
2. MINIMUM RECOMMENDED SPACING IS 28.00MM
3. MINIMUM RECOMMENDED PCB THICKNESS: 1.57MM
4. CONNECTOR KEEP OUT AREA

1X2 RECOMMENDED FOOTPRINT

THIS DRAWING CONTAINS INFORMATION THAT IS PROPRIETARY TO MOLEX ELECTRONIC TECHNOLOGIES, LLC AND SHOULD NOT BE USED WITHOUT WRITTEN PERMISSION																							
DIMENSION UNITS		SCALE		CURRENT REV DESC: OBSOLETE PART NO																			
mm		4:1		<table border="0"> <tr> <td>EC NO: 617985</td> <td>2019/05/27</td> </tr> <tr> <td>DRWN: AKUMAR19</td> <td>2019/06/05</td> </tr> <tr> <td>CHK'D: GGA</td> <td>2019/06/05</td> </tr> <tr> <td>APPR: GGA</td> <td>2019/06/05</td> </tr> <tr> <td>INITIAL REVISION:</td> <td></td> </tr> <tr> <td>DRWN: KLANG</td> <td>2015/01/05</td> </tr> <tr> <td>APPR: MBANAKIS</td> <td>2015/01/07</td> </tr> </table>						EC NO: 617985	2019/05/27	DRWN: AKUMAR19	2019/06/05	CHK'D: GGA	2019/06/05	APPR: GGA	2019/06/05	INITIAL REVISION:		DRWN: KLANG	2015/01/05	APPR: MBANAKIS	2015/01/07
EC NO: 617985	2019/05/27																						
DRWN: AKUMAR19	2019/06/05																						
CHK'D: GGA	2019/06/05																						
APPR: GGA	2019/06/05																						
INITIAL REVISION:																							
DRWN: KLANG	2015/01/05																						
APPR: MBANAKIS	2015/01/07																						
GENERAL TOLERANCES (UNLESS SPECIFIED)				MM		INCH		DOCUMENT NUMBER		DOC TYPE		DOC PART		REVISION									
4 PLACES	±		±					SD-170729-0001		PSD		000		A1									
3 PLACES	±		±					PRODUCT CUSTOMER DRAWING															
2 PLACES	±	0.13	±					MATERIAL NUMBER		CUSTOMER		SHEET NUMBER											
1 PLACE	±	0.25	±					SEE TABLE		GENERAL MARKET		6 OF 8											
0 PLACES	±		±					DRAFT WHERE APPLICABLE MUST REMAIN WITHIN DIMENSIONS		THIRD ANGLE PROJECTION		DRAWING		SERIES									
		ANGULAR TOL ± 2.0 °						C-SIZE		170729													

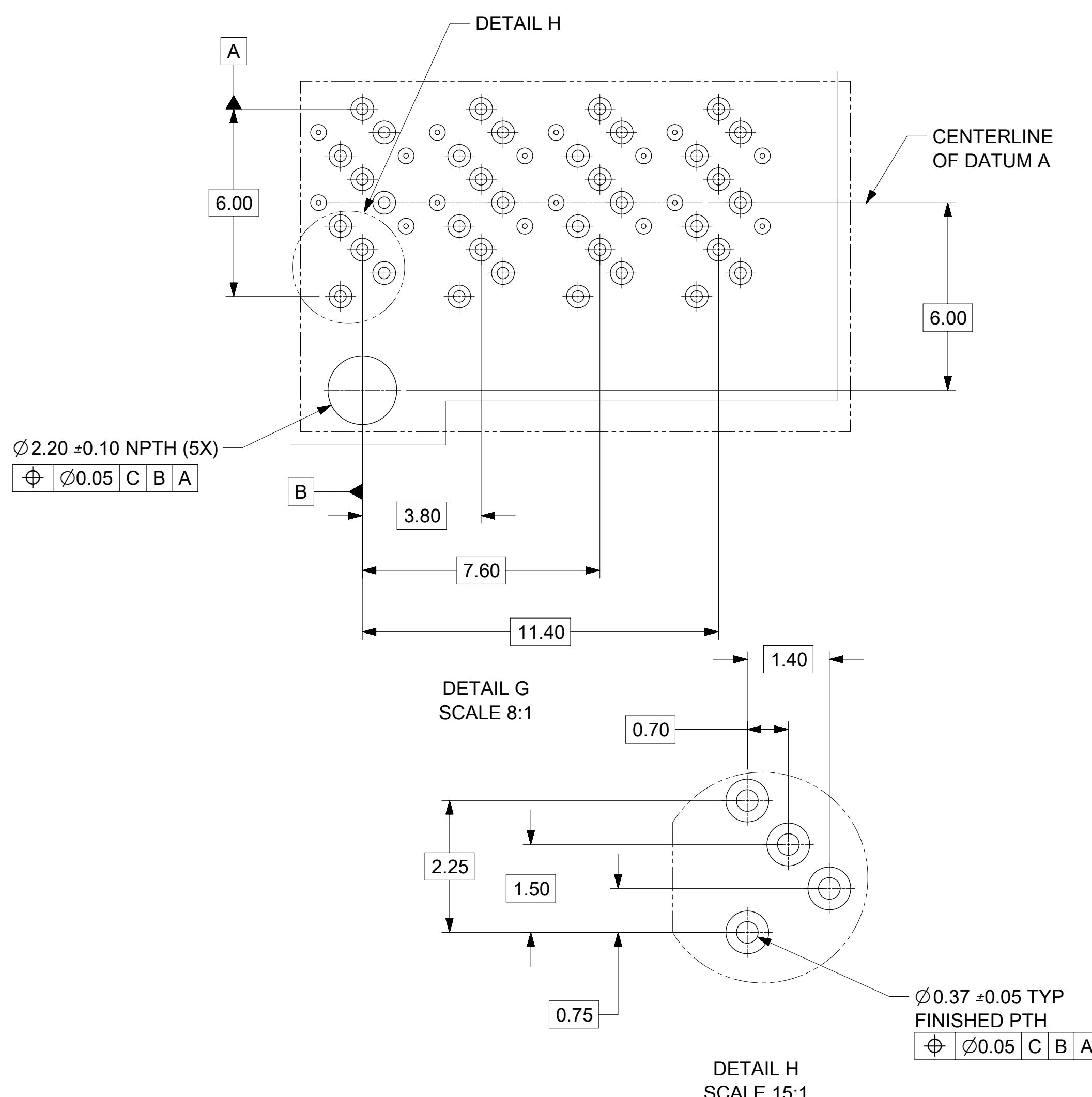
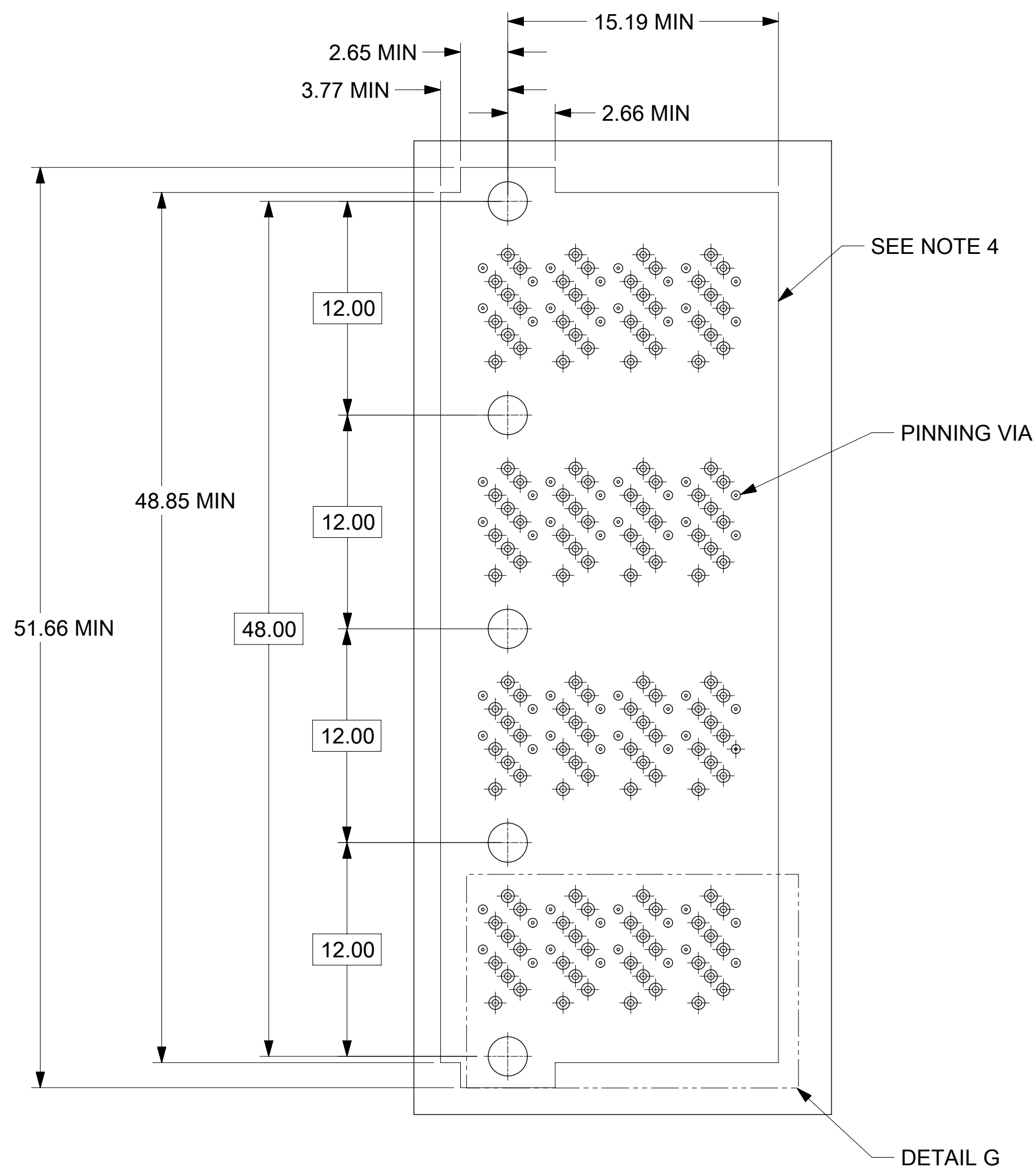
**molex**

IPASS VERTICAL ZHD  
INTERNAL ASSEMBLY 1X1, 1X2, 1X4

PRODUCT CUSTOMER DRAWING

DOCUMENT NUMBER: SD-170729-0001  
DOC TYPE: PSD  
DOC PART: 000  
REVISION: A1

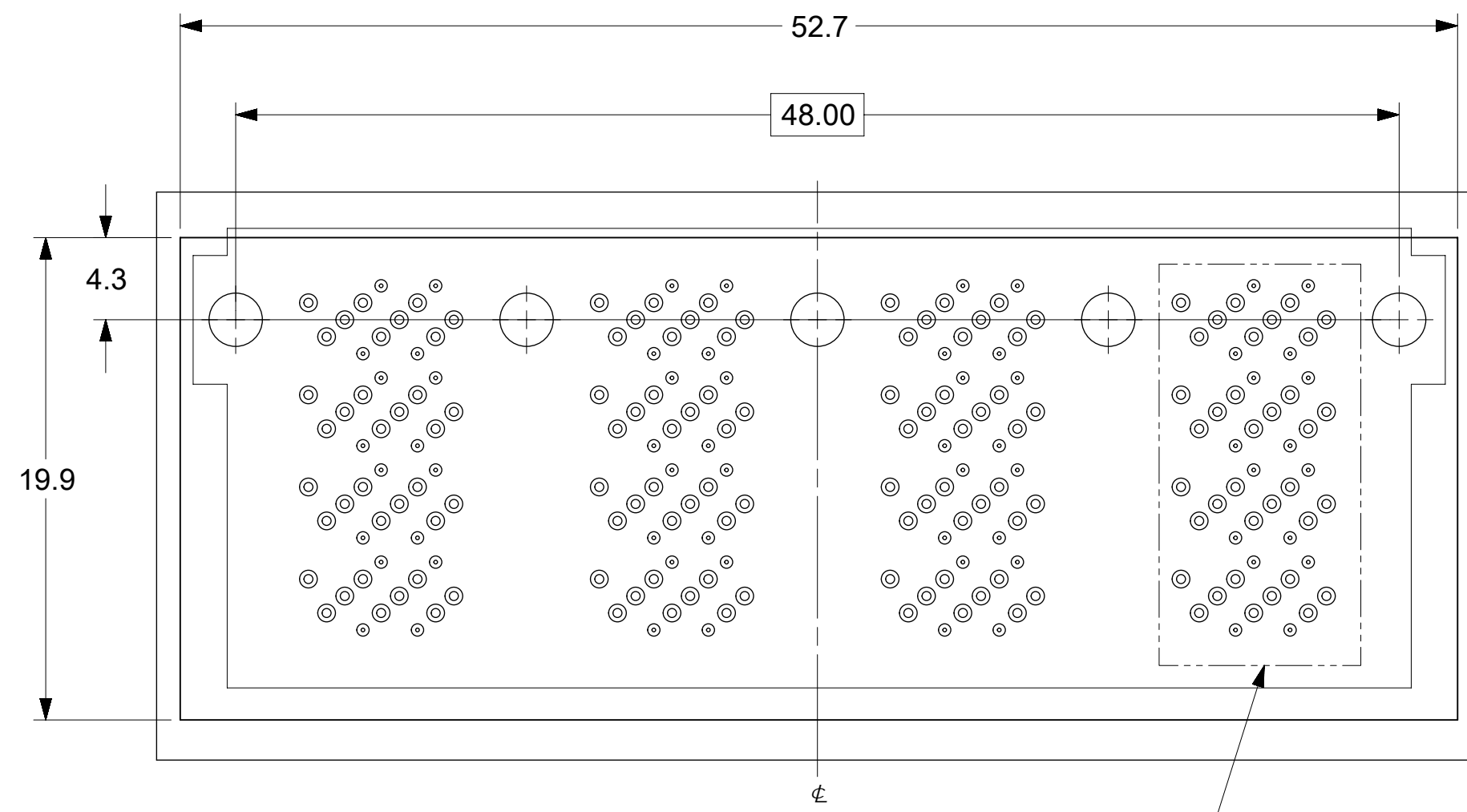
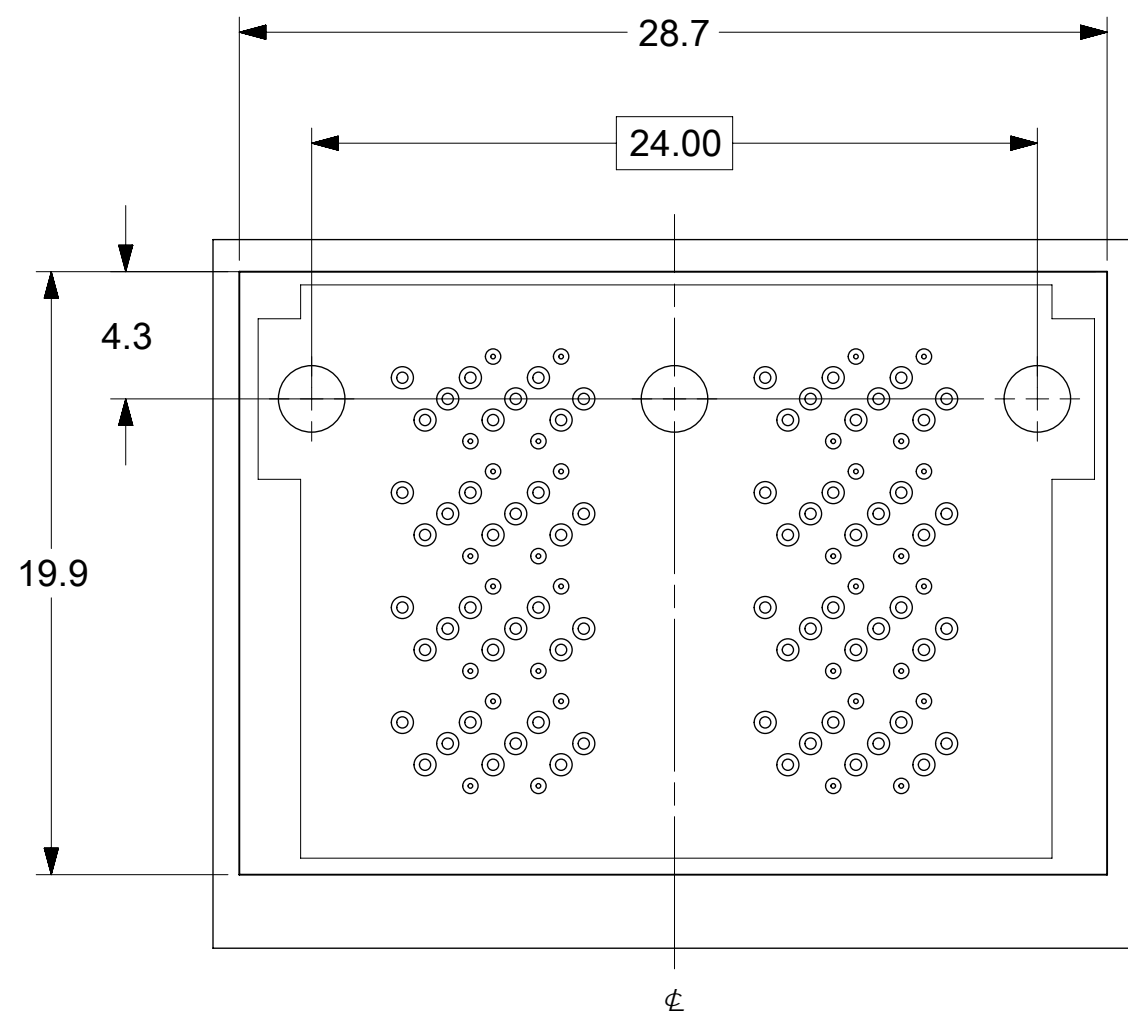
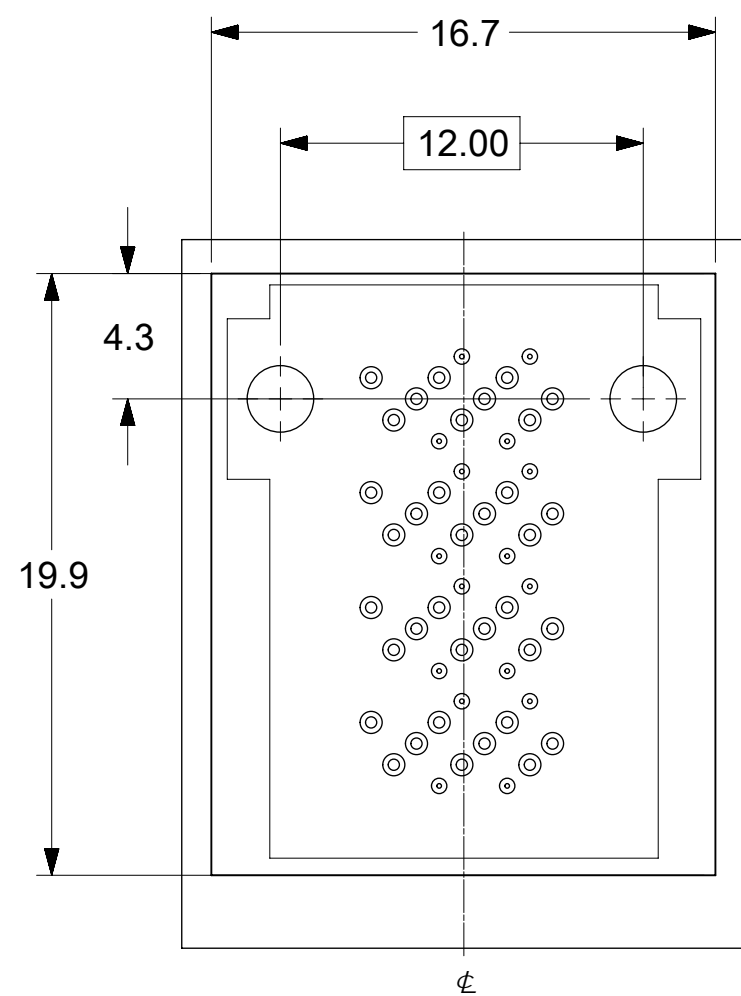
MATERIAL NUMBER: SEE TABLE  
CUSTOMER: GENERAL MARKET  
SHEET NUMBER: 6 OF 8



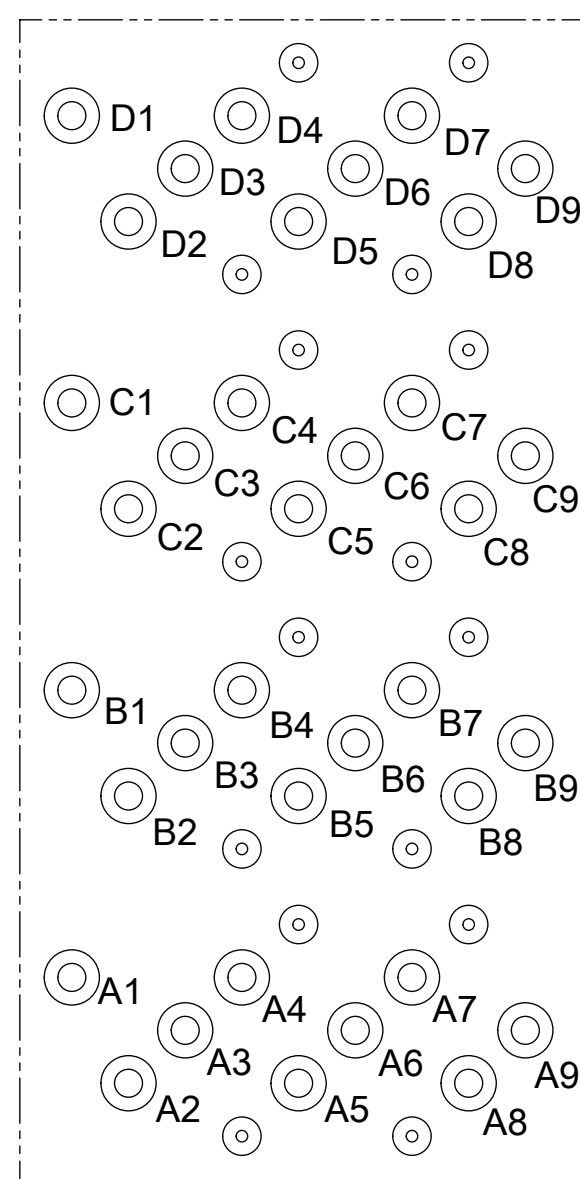
- NOTES:
1. RECOMMENDED DRILL SIZE FOR A  $0.37\varnothing$  FINISHED PTH REFER TO APPLICATION SPECIFICATION AS-170729-0001
  2. MINIMUM RECOMMENDED SPACING IS 52.00MM
  3. MINIMUM RECOMMENDED PCB THICKNESS: 1.57MM
  4. CONNECTOR KEEP OUT AREA

### 1X4 RECOMMENDED FOOTPRINT

THIS DRAWING CONTAINS INFORMATION THAT IS PROPRIETARY TO MOLEX ELECTRONIC TECHNOLOGIES, LLC AND SHOULD NOT BE USED WITHOUT WRITTEN PERMISSION													
DIMENSION UNITS		SCALE		CURRENT REV DESC: OBSOLETE PART NO									
mm		4:1		<b>molex</b> IPASS VERTICAL ZHD INTERNAL ASSEMBLY 1X1, 1X2, 1X4 PRODUCT CUSTOMER DRAWING									
GENERAL TOLERANCES (UNLESS SPECIFIED)										EC NO: 617985		2019/05/27	
4 PLACES		±	±							DRWN: AKUMAR19		2019/06/05	
3 PLACES		±	±							CHK'D: GGA		2019/06/05	
2 PLACES		± 0.13	±							APPR: GGA		2019/06/05	
1 PLACE		± 0.25	±	INITIAL REVISION:									
0 PLACES		±	±	DRWN: KLANG		2015/01/05		DOCUMENT NUMBER					
ANGULAR TOL		± 2.0 °		APPR: MBANAKIS		2015/01/07		SD-170729-0001					
DRAFT WHERE APPLICABLE MUST REMAIN WITHIN DIMENSIONS				THIRD ANGLE PROJECTION		DRAWING		SERIES					
						C-SIZE		170729					
						MATERIAL NUMBER		CUSTOMER					
						SEE TABLE		GENERAL MARKET					
								SHEET NUMBER					
								7 OF 8					



RECOMMENDED KEEP OUT AREA FOR WAFER TERMINAL EXTRACTION TOOLING (REFER TO AS-170729-0001)



DETAIL K  
CIRCUIT IDENTIFICATION  
(TYP EACH PORT)

THIS DRAWING CONTAINS INFORMATION THAT IS PROPRIETARY TO MOLEX ELECTRONIC TECHNOLOGIES, LLC AND SHOULD NOT BE USED WITHOUT WRITTEN PERMISSION									
DIMENSION UNITS		SCALE		CURRENT REV DESC: OBSOLETE PART NO					
mm		4:1							
GENERAL TOLERANCES (UNLESS SPECIFIED)				EC NO: 617985		2019/05/27		IPASS VERTICAL ZHD	
4 PLACES		±	±	DRWN: AKUMAR19		2019/06/05		INTERNAL ASSEMBLY 1X1, 1X2, 1X4	
3 PLACES		±	±	CHK'D: GGA		2019/06/05		PRODUCT CUSTOMER DRAWING	
2 PLACES		± 0.13	±	APPR: GGA		2019/06/05		DOCUMENT NUMBER	
1 PLACE		± 0.25	±	INITIAL REVISION:				DOC TYPE	
0 PLACES		±	±	DRWN: KLANG		2015/01/05		DOC PART	
ANGULAR TOL		± 2.0 °		APPR: MBANAKIS		2015/01/07		REVISION	
DRAFT WHERE APPLICABLE MUST REMAIN WITHIN DIMENSIONS				THIRD ANGLE PROJECTION		DRAWING		SERIES	
						C-SIZE		170729	
MATERIAL NUMBER		CUSTOMER		SHEET NUMBER		SD-170729-0001		PSD 000 A1	
SEE TABLE		GENERAL MARKET		8 OF 8					