



PRODUCT CHANGE NOTIFICATION

Date: November 06, 2015
PCN: PCN LEDIL 112 a, b, c, d

Subject: **PCN 112.d – EOL notice**

Description: As part of our continuous improvement process regarding the quality of our products LEDiL is planning to obsolete some BRIDGET-family reflectors and replace them with BRIDGET-UNI counterparts due the possible clash with some COBs.

Time line: LEDiL offers last buy opportunity to customers until December 2nd 2015 after which only improved BRIDGET-UNI products are available

Affected products: C10918_BRIDGET-S
C10919_BRIDGET-M
C10920_BRIDGET-W

Changes: Products will be replaced as follows.
C10918_BRIDGET-S → **C13557_BRIDGET-S-UNI**
C10919_BRIDGET-M → **C13556_BRIDGET-M-UNI**
C10920_BRIDGET-W → **C13555_BRIDGET-W-UNI**

(CONTINUES ON PAGE 7)

Contact information: Tero Mäkinen
LEDIL Oy
Salorankatu 10
24240 SALO, FINLAND
tero.makinen@ledil.com



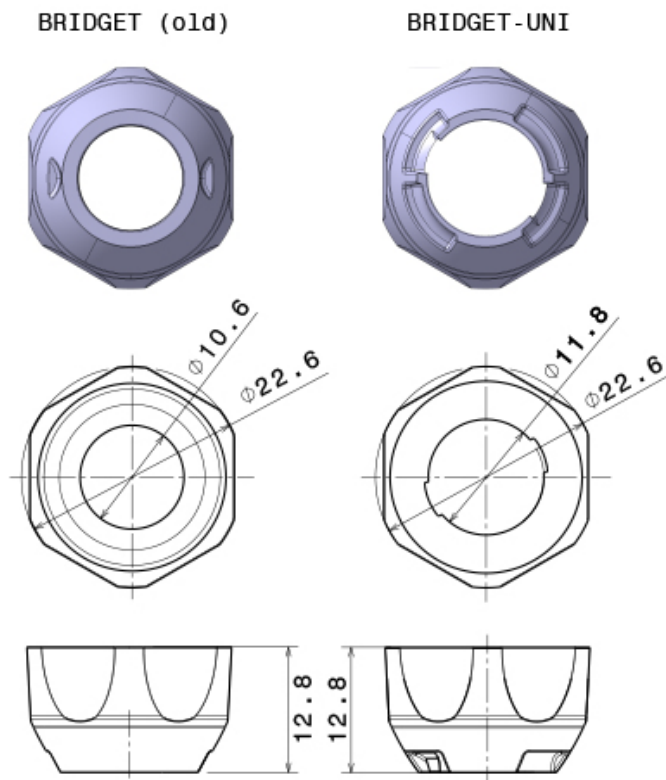
PRODUCT CHANGE NOTIFICATION

Date: November 06, 2015
 PCN: PCN LEDIL 112 a, b, c, d

Subject: PCN 112.d – EOL notice

(CONTINUED FROM PAGE 6)

Mechanical and optical differences between the products:



	S	S-UNI	M	M-UNI	W	W-UNI
Imax (cd/lm)	1.08	1.09	1.18	0.99	0.97	0.91
FWHM C0-C180 (°)	41.80	43.20	49.80	53.40	60.30	60.90
10% C0-C180 (°)	97.20	95.00	80.50	86.50	85.20	86.40
LOR (%)	85.10	84.90	83.30	81.60	87.60	84.70

Contact information: Tero Mäkinen
 LEDIL Oy
 Salorankatu 10
 24240 SALO, FINLAND
 tero.makinen@ledil.com