

THIS DRAWING IS UNPUBLISHED.

RELEASED FOR PUBLICATION

20

© COPYRIGHT 20 BY -

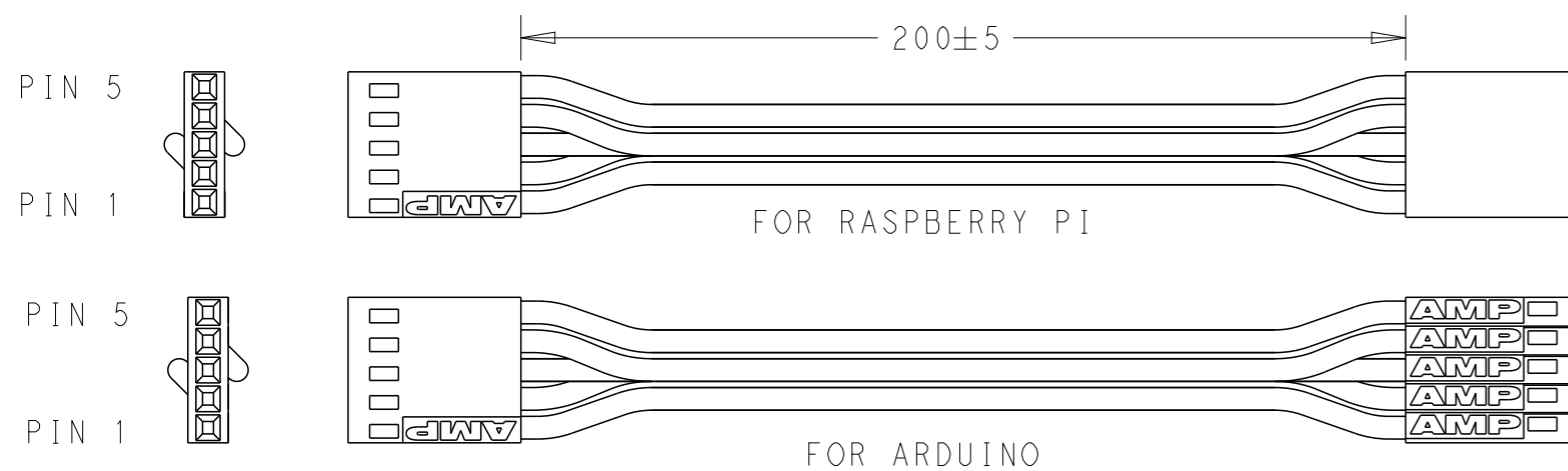
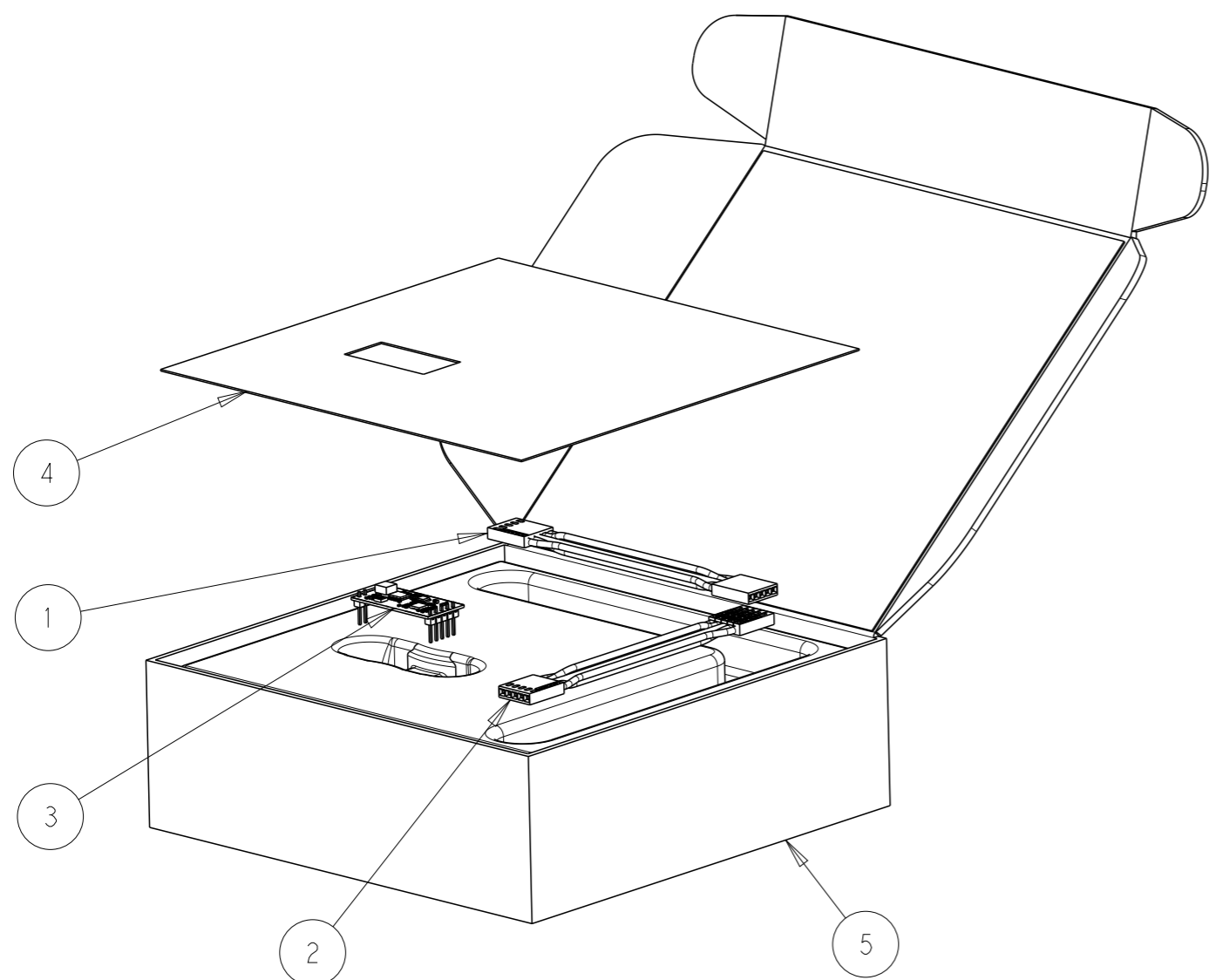
ALL RIGHTS RESERVED.

REVISIONS

P	LTR	DESCRIPTION	DATE	DWN	APVD
	A	RELEASED FOR PRODUCTION	04JUL2018	SM	OL
	B	FOAM PACKING REPLACED WITH PLASTIC TRAY	29MAY2019	RS	SM

NOTE:

- REFER TO APPLICATION SPECIFICATION 114-133115 FOR MORE DETAILS.
- REFER WWW.TE.COM/AMBIMATE TO DOWNLOAD APPLICATION SOFTWARE



1	1	1	PACKING BOX	5
1	1	1	INLAY	4
-	-	1	AMBIMATE KIT, MS4, TH	3
-	1	-	AMBIMATE KIT, MS4, TH, WITH MIC	
1	-	-	AMBIMATE KIT, MS4, TH, WITH CO2	2
1	1	1	ARDUINO CABLE ASSY	1
1	1	1	RASPBERRY PI CABLE ASSY	
2331211-2	2331211-2	2331211-1	DESCRIPTION	ITEM

THIS DRAWING IS A CONTROLLED DOCUMENT.

DIMENSIONS:		TOLERANCES UNLESS OTHERWISE SPECIFIED:	
mm		0 PLC	±-
		1 PLC	±0.5
		2 PLC	±-
		3 PLC	±-
		4 PLC	±-
MATERIAL		ANGLES	±-
		FINISH	±-

DWN	RAVI.S	06MAR2018
CHK	SUBHASH.M	06MAR2018
APVD	OLAF.L	06MAR2018
PRODUCT SPEC	108-133092	
APPLICATION SPEC	114-133115	
WEIGHT	-	
CUSTOMER DRAWING		



NAME				AMBIMATE KIT, MS4	
SIZE	CAGE CODE	DRAWING NO	RESTRICTED TO		
A3	00779	C-2331211	-		
SCALE		SHEET	OF	REV	
1:2		1	1	B	