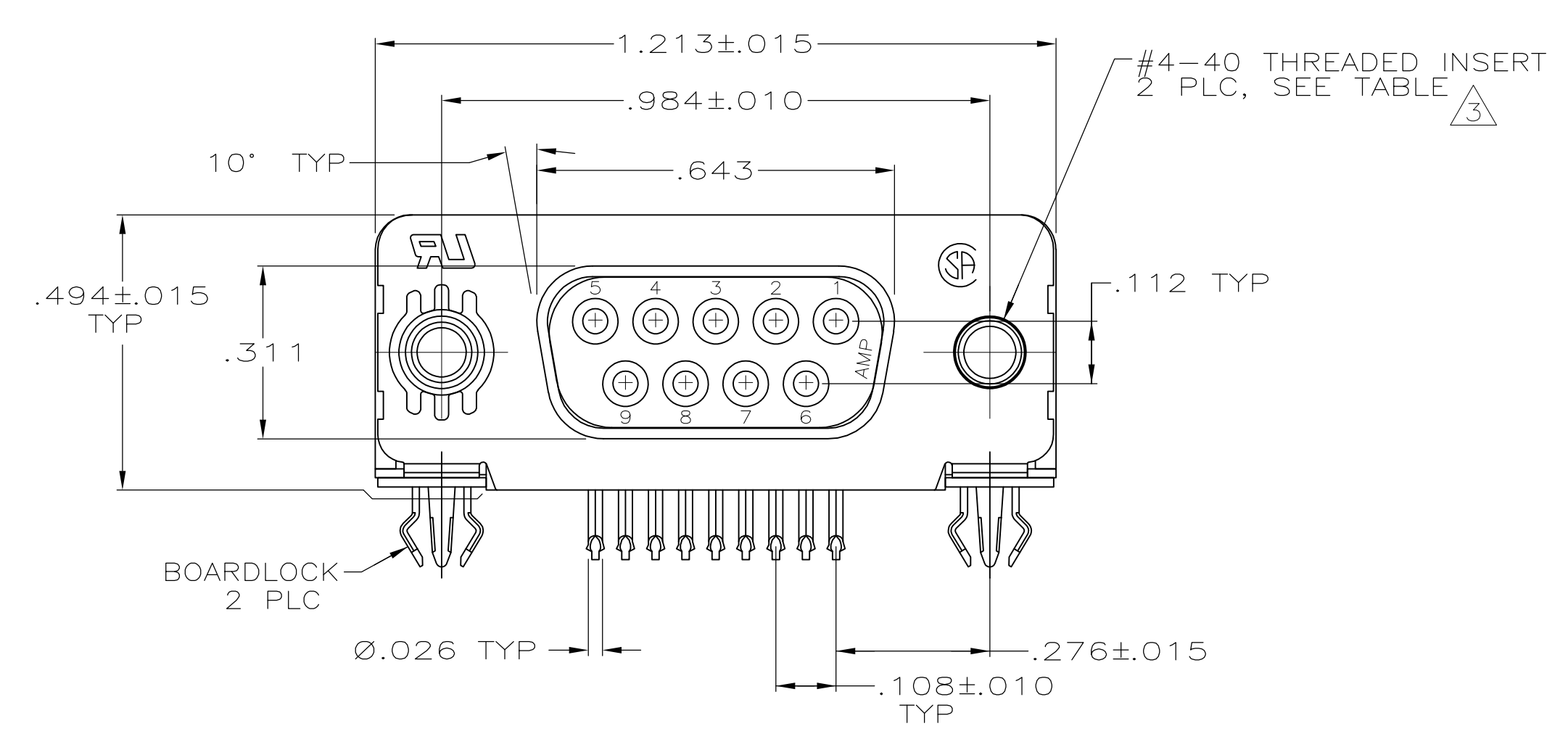
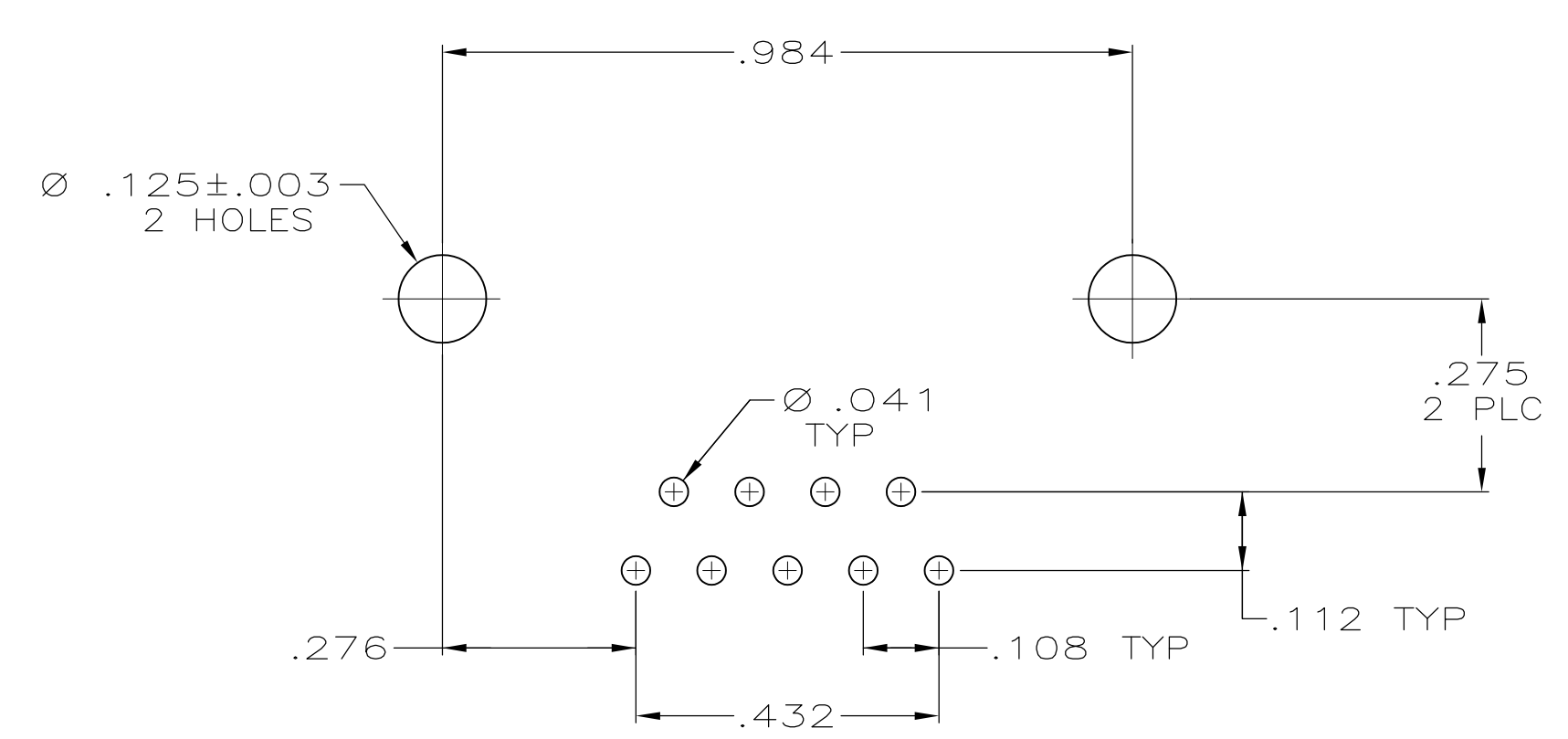
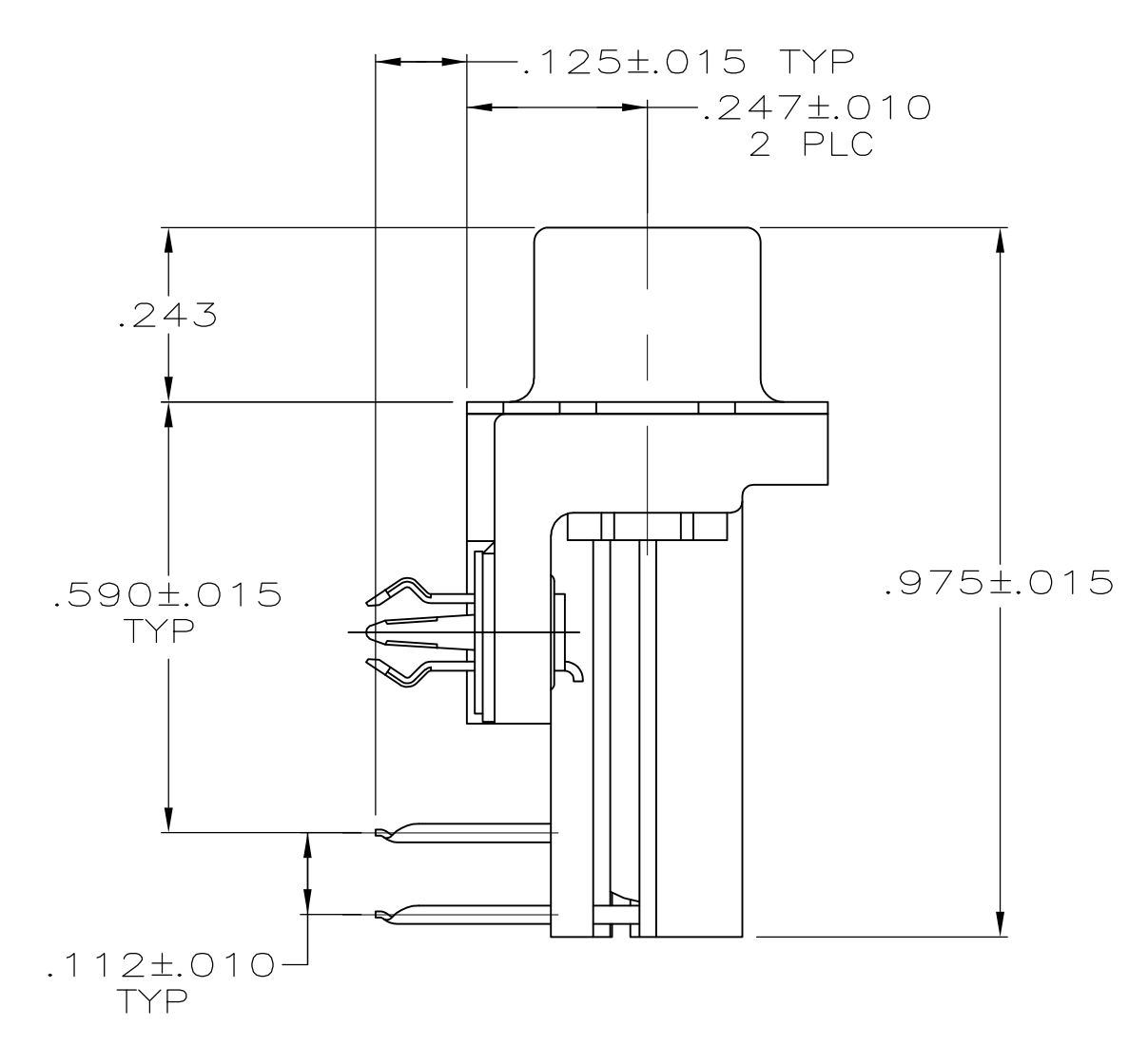
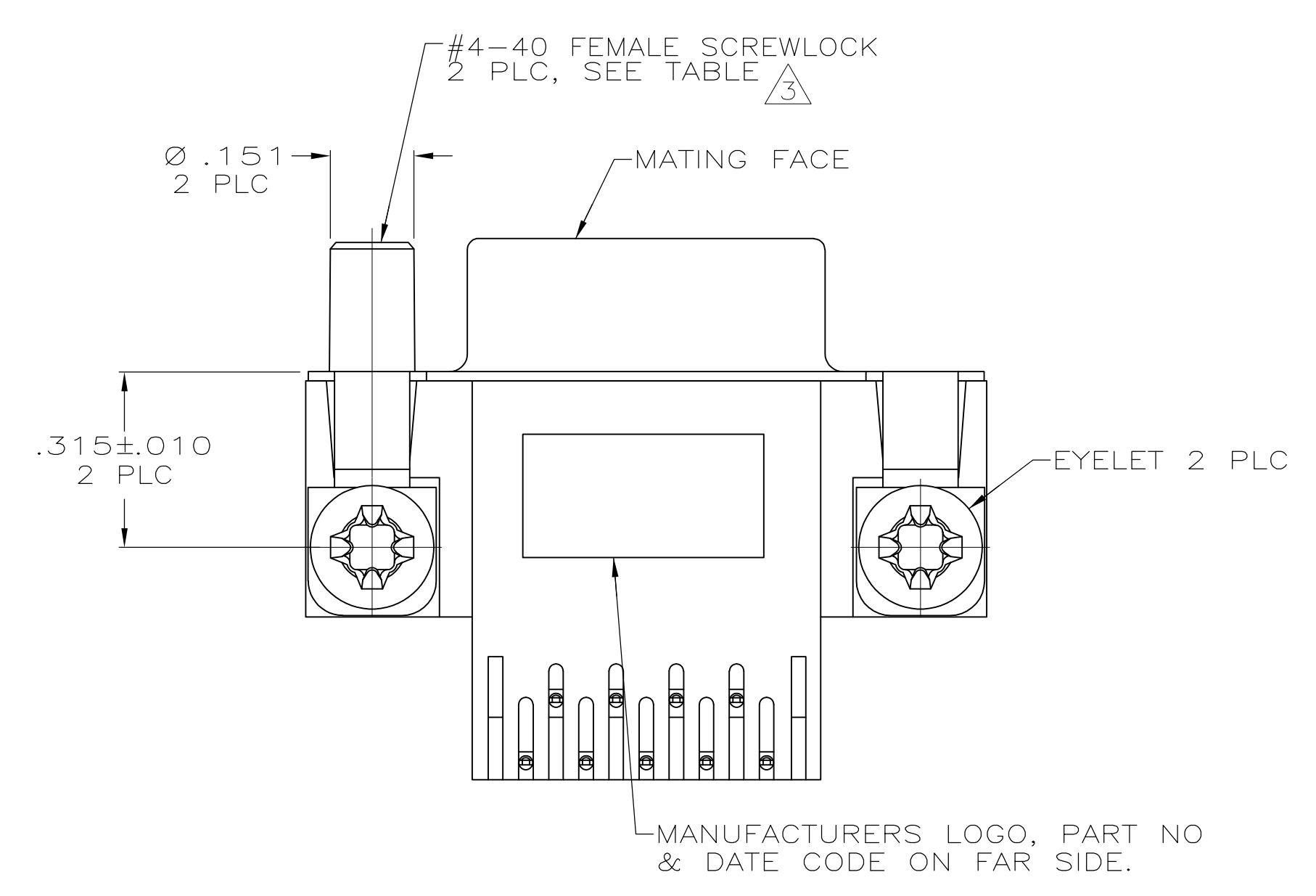


LOC		DIST		REVISIONS			
P	LTR	DESCRIPTION	DATE	DWN	APVD		
P		REVISED PER ECO-11-004835	11MAR11	RK	HMR		



- ⚠ HOUSING: NYLON OR POLYESTER, FLAME RETARDANT, UL 94V-0 RATED, GLASS FILLED, BLACK.  
CONTACTS: PHOS BRONZE.  
SHELL: CARBON STEEL.  
EYELETS: BRASS.  
BOARDLOCKS: COPPER ALLOY.  
SCREWLOCKS: ZINC.  
INSERTS: ZINC.
- ⚠ CONTACTS: .000030 GOLD FOR A DISTANCE OF .100 MIN FROM MATING END, .000100-.000200 TIN ON TERMINATION END, ALL OVER .000050 NICKEL ON ENTIRE CONTACT.  
SHELL: .000100 MIN TIN OVER .000050 MIN NICKEL.  
EYELETS: .000200 MIN TIN OVER COPPER FLASH.  
BOARDLOCKS: .000200 MIN TIN OVER .000050 MIN NICKEL.  
SCREWLOCKS: CLEAR CHROMATE.  
INSERTS: CLEAR CHROMATE.
- ⚠ SCREWLOCKS & INSERTS WILL WITHSTAND 4 IN LBS TORQUE & 20 LBS PULL OUT FORCE FROM MATING FACE SIDE.



**COPYRIGHT 2005  
TE CONNECTIVITY CORP  
ALL RIGHTS RESERVED**

FEMALE SCREWLOCKS	5747836-6
THREADED INSERTS	5747836-4
MOUNTING HARDWARE	PART NUMBER

THIS DRAWING IS A CONTROLLED DOCUMENT.		DIN G. ATTADIA - 04-11-05		TE Connectivity	
DIMENSIONS: INCHES		CHK S. BOLASH 04-11-05		NAME	
TOLERANCES UNLESS OTHERWISE SPECIFIED:		APVD M. WALMSLEY 04-11-05		RECEPTACLE ASSEMBLY, SIZE 1, RIGHT ANGLE, .590 SERIES, FRONT METAL SHELL, .026 DIA POSTS, BOARDLOCKS, AMPLIMITE HD-20	
0 PLC ± -		PRODUCT SPEC		108-40025	
1 PLC ± -		APPLICATION SPEC		114-40010	
2 PLC ± -		SIZE		CAGE CODE DRAWING NO	
3 PLC ± .005		WEIGHT		A1 00779 5747836	
4 PLC ± -		CUSTOMER DRAWING		SCALE 4:1 SHEET 1 OF 1 REV P	
ANGLES ± °					