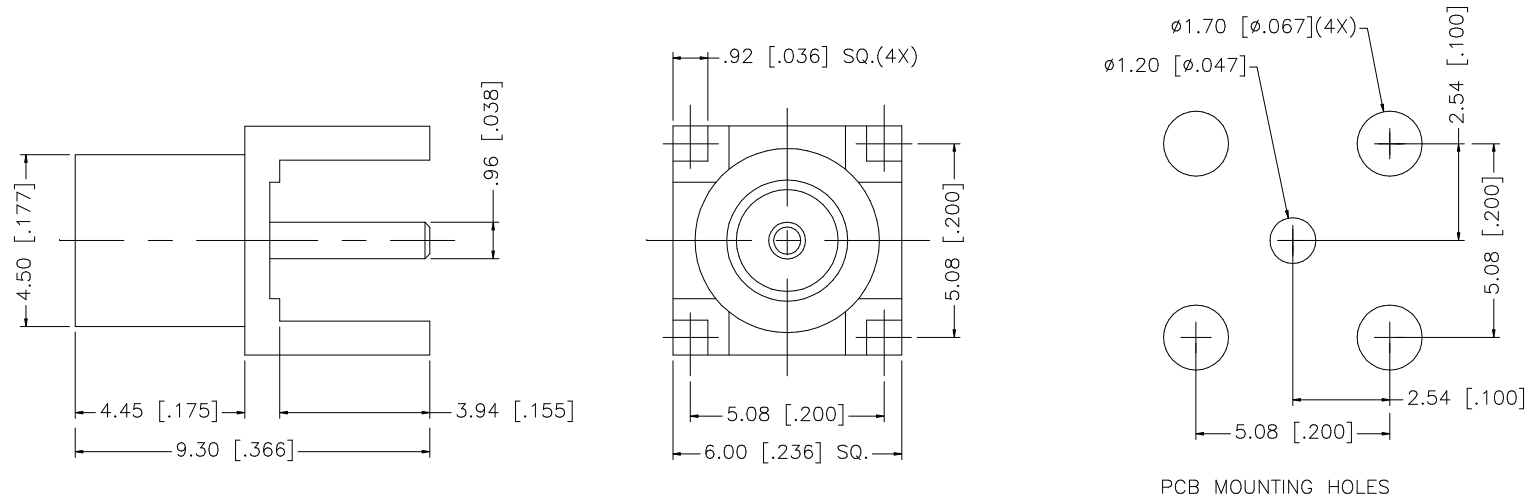


REV.	DATE	DESCRIPTION
A	02/08/03	UPDATE DRAWING FORMAT



PCB MOUNTING HOLES

8					<p>UNLESS OTHERWISE SPECIFIED DIMENSIONS ARE IN MILLIMETERS. DIMENSIONS IN [ ] ARE IN INCHES AND FOR CUSTOMER REFERENCE ONLY.</p> <p>UNLESS OTHERWISE SPECIFIED TOLERANCES FOR MILLIMETERS ARE:  0.5 - 8mm ± 0.20mm  8 - 30mm ± 0.40mm  30 - 120mm ± 0.50mm</p> <p>UNLESS OTHERWISE SPECIFIED TOLERANCES FOR INCHES ARE:  .020 - .315 = ± 0.007"  .315 - 1.180 = ± 0.015"  1.180 - 4.724 = ± 0.020"</p>	APPROVALS	DATE	<h1 style="color: blue; margin: 0;">Amphenol Connex</h1>				
7						DRAWN	G.R.S.					02/08/03
6						CHECKED			<b>PART NO.</b> 252105			
5						ISSUED						
4						SHEET	1 OF 1		<b>REV.</b> A			
3	CONTACT PIN	BER. COPPER	GOLD	1	CAD FILE			C:/225/252105..DWG				
2	INSULATOR	TEFLON	NATURAL	1	DO NOT SCALE DRAWING							
1	BODY	BRASS	GOLD	1								