



## Product / Process Change Notification (PCN)

- Major change  
 Minor change

**PCN #:** PCN\_IndTIS\_20220607

**Affected Series:** WE-TIS; 7447471xxx

**PCN Date:** March 07, 2022

**Effective Date:** June 07, 2022

### Change Category:

- Equipment / Location  
 General Data  
 Material  
 Process  
 Product Design  
 Shipping / Packaging  
 Supplier  
 Software

**Contact:** Product Management

**Phone:** +49 (0) 7942 - 945 5001

**Fax:** +49 (0) 7942 - 945 5179

**E-Mail:** pcn.eisos@we-online.com

### Data Sheet Change:

- Yes  No

### Attachment:

- Yes  No

### Description and purpose of change:

There will be three changes for the size 1111 of the product series WE-TIS.

- To increase the production capability, Würth Elektronik will move the production to a new production site.
- With the aim of an extended product applicability, Würth Elektronik will change the inner construction of the product.
- Due to packaging optimizations, Würth Elektronik will change the tray packaging type.

All products with date code 2022-06-07 or later, will be affected by these changes.

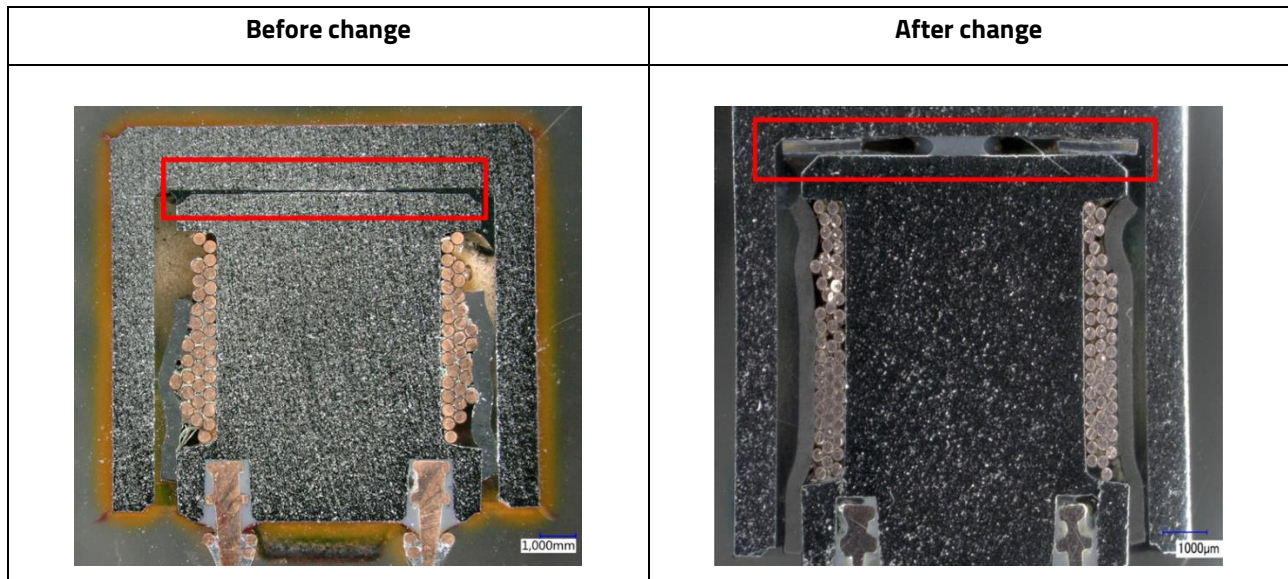
There will be no change in form, fit, quality or reliability of the product.

### Detail of Change:

- The new production site can be identified by the first three digits of the lot number



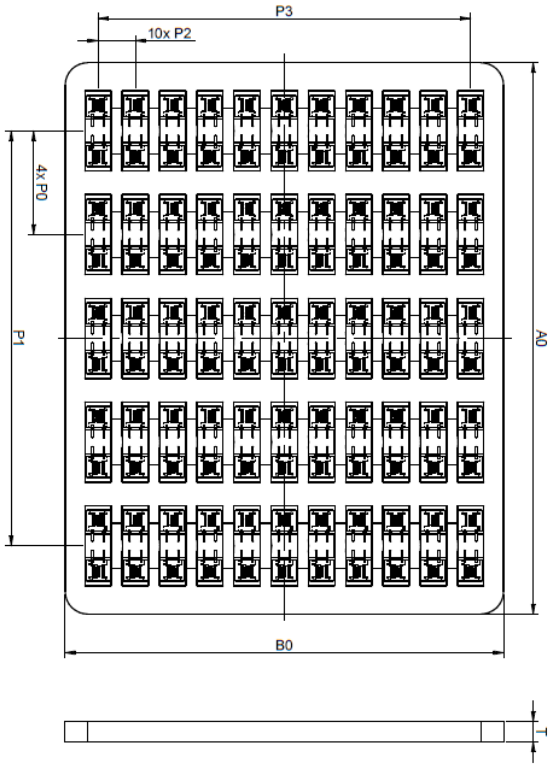
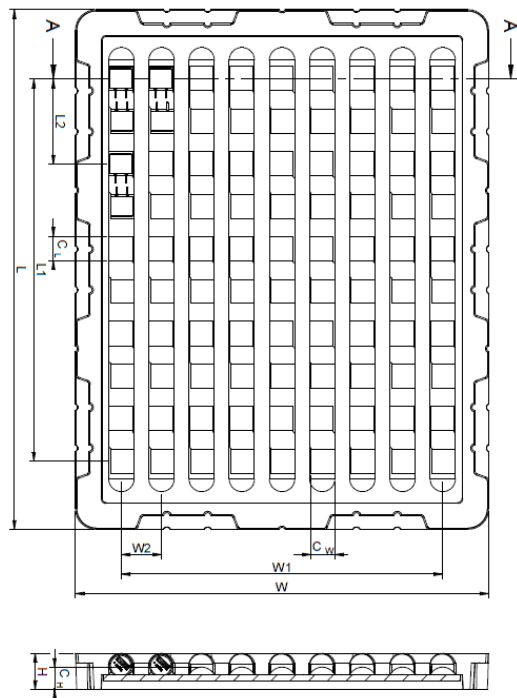
Already established production sites	New production site
Lot number beginning with 227 Country of origin: China	Lot number beginning with 321 Country of origin: China
Lot number beginning with 363 Country of origin: China	

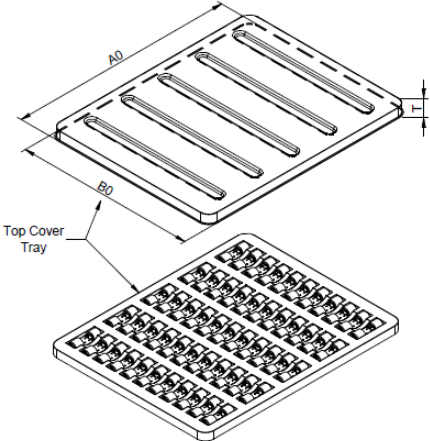
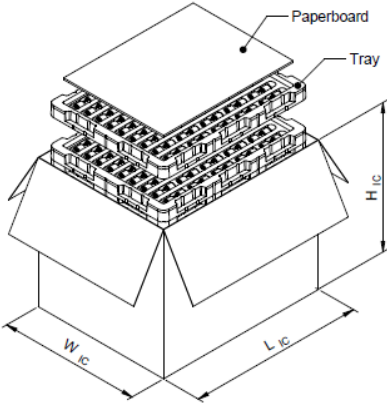
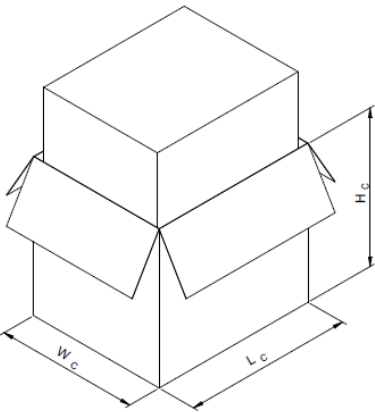
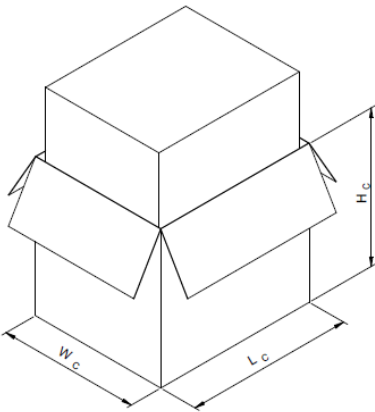
2. To improve the saturation current behavior, a plastic spacer between drum core and shielding cap will be implemented. This has an impact on the electrical properties of the product. The mechanical properties are not affected.



Part number	Before change					After change				
	IR [A]	ISAT [A]	RDC typ [mΩ]	RDC max [mΩ]	SRF [MHz]	IR [A]	ISAT [A]	RDC typ [mΩ]	RDC max [mΩ]	SRF [MHz]
7447471047	6,9	6	10,5	12,2	48	7,1	9,9	12	15	62
7447471068	6,4	5	11,9	13,9	42	6	8	16	19	53
7447471100	5,1	4,2	17,5	22	40	5	6,6	24	26	46
7447471220	3,7	3	38	48	26	3,8	4,4	35	40	16
7447471330	3,6	2,8	50	61	10	3	3,6	57	65	9,7
7447471470	3	2,5	74	88	9	2,3	3	86	100	6,4
7447471101	1,6	1,4	150	190	3,9	1,4	2,1	210	240	4
7447471151	1,4	1,2	210	240	3,4	1,2	1,7	290	340	3,3
7447471221	1,3	1	270	320	2,8	1	1,4	430	510	2,6
7447471331	1	0,8	400	480	2	0,8	1,1	670	810	2,1
7447471471	0,85	0,5	580	700	1,8	0,68	0,98	960	1200	1,6
7447471102	0,6	0,4	1200	1500	1,1	0,46	0,68	2100	2500	1,1
7447471222	0,4	0,3	2250	2700	0,78	0,31	0,46	4700	5700	0,74
7447471332	0,3	0,25	4000	4800	0,66	0,25	0,38	7000	8600	0,62
7447471472	0,25	0,2	6300	7700	0,56	0,21	0,32	9900	12000	0,49
7447471682	0,24	0,18	8200	10000	0,54	0,18	0,27	13300	14500	0,41

3. Details about the packaging change can be seen below

Before change	After change																																																																								
																																																																									
																																																																									
<table border="1" style="width: 100%; border-collapse: collapse;"> <thead> <tr> <th></th> <th>A0</th> <th>B0</th> <th>P0</th> <th>P1</th> <th>P2</th> <th>P3</th> <th>T</th> <th>Tray</th> <th>VPE / packaging unit pcs.</th> </tr> </thead> <tbody> <tr> <td>tolerance</td> <td>typ.</td> <td>typ.</td> <td>ref.</td> <td>ref.</td> <td>ref.</td> <td>ref.</td> <td>ref.</td> <td></td> <td></td> </tr> <tr> <td>size</td> <td>1111</td> <td>244.00</td> <td>194.00</td> <td>45.50</td> <td>182.00</td> <td>16.30</td> <td>163.00</td> <td>9.80</td> <td>PET 110</td> </tr> </tbody> </table>		A0	B0	P0	P1	P2	P3	T	Tray	VPE / packaging unit pcs.	tolerance	typ.	typ.	ref.	ref.	ref.	ref.	ref.			size	1111	244.00	194.00	45.50	182.00	16.30	163.00	9.80	PET 110	<table border="1" style="width: 100%; border-collapse: collapse;"> <thead> <tr> <th></th> <th>L (mm)</th> <th>L1 (mm)</th> <th>L2 (mm)</th> <th>CL (mm)</th> <th>W (mm)</th> <th>W1 (mm)</th> </tr> </thead> <tbody> <tr> <td>Tolerance</td> <td>typ.</td> <td>typ.</td> <td>typ.</td> <td>typ.</td> <td>typ.</td> <td>typ.</td> </tr> <tr> <td>Value</td> <td>245,00</td> <td>180,00</td> <td>40,00</td> <td>12,20</td> <td>195,00</td> <td>151,20</td> </tr> <tr> <th></th> <th>W2 (mm)</th> <th>CW (mm)</th> <th>H (mm)</th> <th>CH (mm)</th> <th>Qty. (pcs.)</th> <th>Material</th> </tr> <tr> <td>Tolerance</td> <td>typ.</td> <td>typ.</td> <td>typ.</td> <td>typ.</td> <td></td> <td></td> </tr> <tr> <td>Value</td> <td>18,90</td> <td>11,60</td> <td>17,00</td> <td>11,00</td> <td>90</td> <td>PS</td> </tr> </tbody> </table>		L (mm)	L1 (mm)	L2 (mm)	CL (mm)	W (mm)	W1 (mm)	Tolerance	typ.	typ.	typ.	typ.	typ.	typ.	Value	245,00	180,00	40,00	12,20	195,00	151,20		W2 (mm)	CW (mm)	H (mm)	CH (mm)	Qty. (pcs.)	Material	Tolerance	typ.	typ.	typ.	typ.			Value	18,90	11,60	17,00	11,00	90	PS
	A0	B0	P0	P1	P2	P3	T	Tray	VPE / packaging unit pcs.																																																																
tolerance	typ.	typ.	ref.	ref.	ref.	ref.	ref.																																																																		
size	1111	244.00	194.00	45.50	182.00	16.30	163.00	9.80	PET 110																																																																
	L (mm)	L1 (mm)	L2 (mm)	CL (mm)	W (mm)	W1 (mm)																																																																			
Tolerance	typ.	typ.	typ.	typ.	typ.	typ.																																																																			
Value	245,00	180,00	40,00	12,20	195,00	151,20																																																																			
	W2 (mm)	CW (mm)	H (mm)	CH (mm)	Qty. (pcs.)	Material																																																																			
Tolerance	typ.	typ.	typ.	typ.																																																																					
Value	18,90	11,60	17,00	11,00	90	PS																																																																			

																																											
<table border="1"> <thead> <tr> <th></th> <th>A0</th> <th>B0</th> <th>T</th> <th>Top Cover</th> </tr> </thead> <tbody> <tr> <td>tolerance</td> <td>typ.</td> <td>typ.</td> <td>ref.</td> <td></td> </tr> <tr> <td>size</td> <td>1111</td> <td>245.00</td> <td>195.00</td> <td>10.00 PET</td> </tr> </tbody> </table>		A0	B0	T	Top Cover	tolerance	typ.	typ.	ref.		size	1111	245.00	195.00	10.00 PET	<table border="1"> <thead> <tr> <th></th> <th>LIC (mm)</th> <th>WIC (mm)</th> <th>HIC (mm)</th> <th>No. of Tray (pcs.)</th> <th>Qty. (pcs.)</th> <th>Material</th> </tr> </thead> <tbody> <tr> <td>Tolerance</td> <td>typ.</td> <td>typ.</td> <td>typ.</td> <td></td> <td></td> <td></td> </tr> <tr> <td>Value</td> <td>260,00</td> <td>210,00</td> <td>217,00</td> <td>12</td> <td>1080</td> <td>Paper</td> </tr> </tbody> </table>		LIC (mm)	WIC (mm)	HIC (mm)	No. of Tray (pcs.)	Qty. (pcs.)	Material	Tolerance	typ.	typ.	typ.				Value	260,00	210,00	217,00	12	1080	Paper						
	A0	B0	T	Top Cover																																							
tolerance	typ.	typ.	ref.																																								
size	1111	245.00	195.00	10.00 PET																																							
	LIC (mm)	WIC (mm)	HIC (mm)	No. of Tray (pcs.)	Qty. (pcs.)	Material																																					
Tolerance	typ.	typ.	typ.																																								
Value	260,00	210,00	217,00	12	1080	Paper																																					
																																											
<table border="1"> <thead> <tr> <th></th> <th>LC (mm)</th> <th>WC (mm)</th> <th>HC (mm)</th> <th>No. of Inner Carton (pcs.)</th> <th>Qty. (pcs.)</th> <th>Material</th> </tr> </thead> <tbody> <tr> <td>Tolerance</td> <td>typ.</td> <td>typ.</td> <td>typ.</td> <td></td> <td></td> <td></td> </tr> <tr> <td>Value</td> <td>275,00</td> <td>232,00</td> <td>255,00</td> <td>1</td> <td>1760</td> <td>Paper</td> </tr> </tbody> </table>		LC (mm)	WC (mm)	HC (mm)	No. of Inner Carton (pcs.)	Qty. (pcs.)	Material	Tolerance	typ.	typ.	typ.				Value	275,00	232,00	255,00	1	1760	Paper	<table border="1"> <thead> <tr> <th></th> <th>LC (mm)</th> <th>WC (mm)</th> <th>HC (mm)</th> <th>No. of Inner Carton (pcs.)</th> <th>Qty. (pcs.)</th> <th>Material</th> </tr> </thead> <tbody> <tr> <td>Tolerance</td> <td>typ.</td> <td>typ.</td> <td>typ.</td> <td></td> <td></td> <td></td> </tr> <tr> <td>Value</td> <td>275,00</td> <td>232,00</td> <td>255,00</td> <td>1</td> <td>1080</td> <td>Paper</td> </tr> </tbody> </table>		LC (mm)	WC (mm)	HC (mm)	No. of Inner Carton (pcs.)	Qty. (pcs.)	Material	Tolerance	typ.	typ.	typ.				Value	275,00	232,00	255,00	1	1080	Paper
	LC (mm)	WC (mm)	HC (mm)	No. of Inner Carton (pcs.)	Qty. (pcs.)	Material																																					
Tolerance	typ.	typ.	typ.																																								
Value	275,00	232,00	255,00	1	1760	Paper																																					
	LC (mm)	WC (mm)	HC (mm)	No. of Inner Carton (pcs.)	Qty. (pcs.)	Material																																					
Tolerance	typ.	typ.	typ.																																								
Value	275,00	232,00	255,00	1	1080	Paper																																					



### Reliability / Qualification Summary:

Qualification according AEC-Q200 REV D Table5

- High Temperature Exposure / MIL-STD-202-108
- Temperature Cycling / JESD22 Method JA-104
- Biased Humidity / MIL-STD-202-103
- Operational Life / MIL-PRF-27
- External Visual / MIL-STD-883-2009
- Physical Dimension / JESD22 Method JB-100
- Terminal Strength(Leaded) / MIL-STD-202-211
- Resistance to Solvents / MIL-STD-202- 215
- Mechanical Shock / MIL-STD-202-213
- Vibration / MIL-STD-202-204
- Resistance to Soldering Heat / MIL-STD-202-210
- ESD / AEC-Q200-002 or ISO/DIS10605
- Solderability(leaded) / J-STD-002
- Electrical Characterization / User Spec.
- Low Temperature Storage Life / JESD22-A119