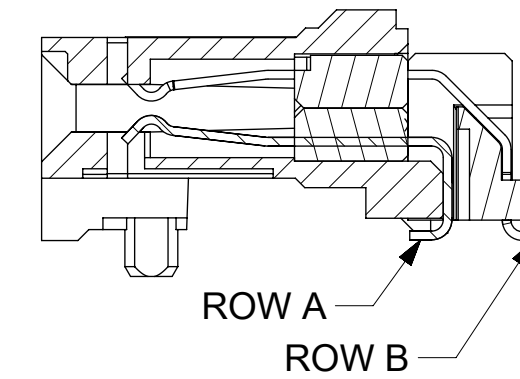
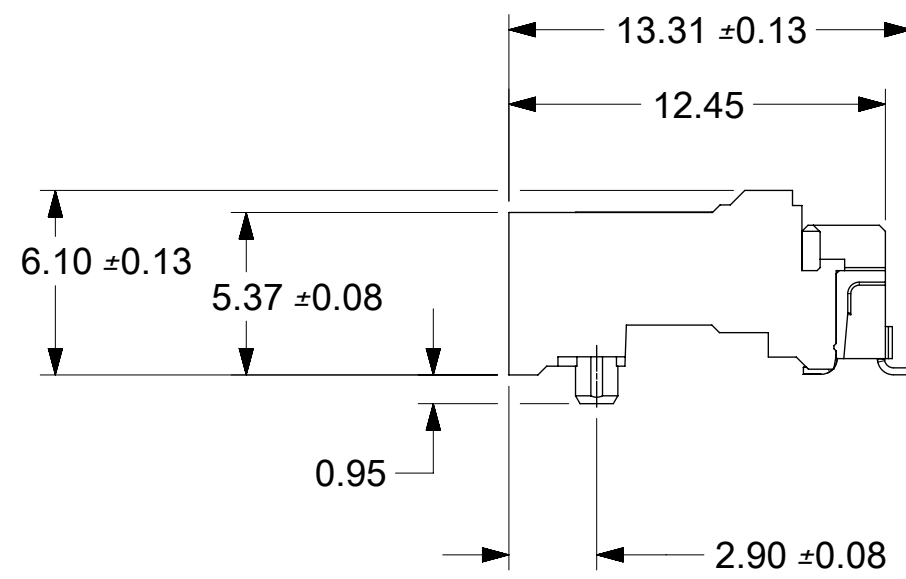
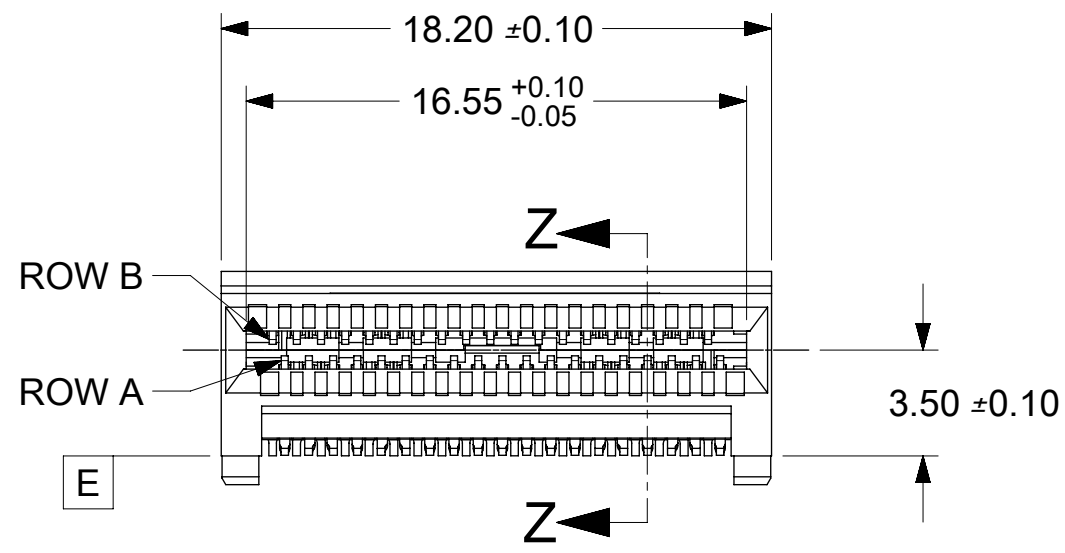
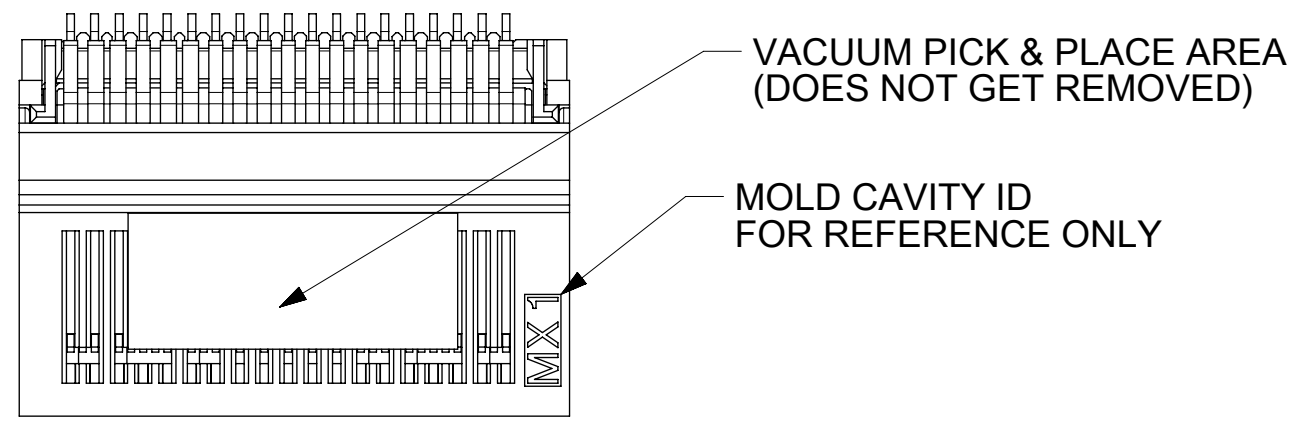
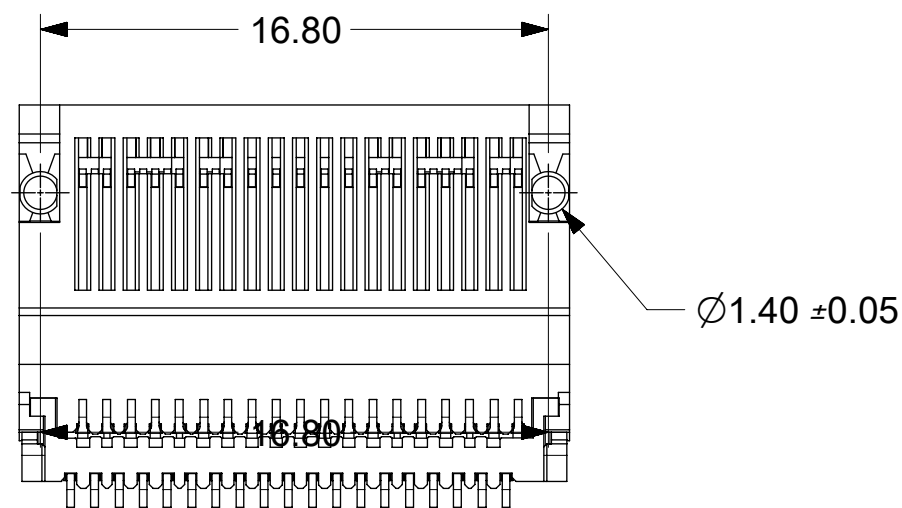


NOTES

1. MATERIAL:
HOUSING - HIGH TEMPERATURE THERMOPLASTIC GLASS FILLED,
UL 94V-0, BLACK
TERMINALS - COPPER ALLOY
2. PLATING:
CONTACT AREA - 0.38 µm MIN GOLD OVER 2.54 µm MIN NICKEL
SOLDER FOOT AREA - 2.54 - 5.09 µm TIN OVER 2.54 µm MAX NICKEL.
3. PLATING:
CONTACT AREA - 0.76 µm MIN GOLD OVER 2.54 µm MIN NICKEL
SOLDER AREA - 2.54 -5.09 µm TIN OVER 2.54 µm MAX NICKEL
4. PLATING:
CONTACT AREA - 0.76 µm MIN GOLD OVER 2.54 µm MIN NICKEL;
SOLDER AREA: GOLD FLASH OVER 2.54 µm MAX NICKEL.
5. TERMINAL SOLDER FEET TO BE COPLANAR WITHIN 0.10/.004 MEASURED FROM FRONT HOUSING STAND OFF (DATUM E)
6. DATE CODE AND ASSEMBLY LINE CODE ARE LOCATED APPROXIMATELY AS SHOWN
7. CIRCUIT IDENTIFIER: SEE APPROPRIATE INDUSTRY SPECIFICATION FOR LOCATION OF PIN 1
8. PACKAGED PER PACKAGING SPECIFICATION: PK-170432-900 AND 1704329901
9. CONFORMS TO PRODUCT SPECIFICATION: PS-170432-001
10. THIS PART CONFORMS TO CLASS C REQUIREMENTS OF COSMETIC SPECIFICATION PS-45499-002.



SECTION Z-Z
SCALE 5:1

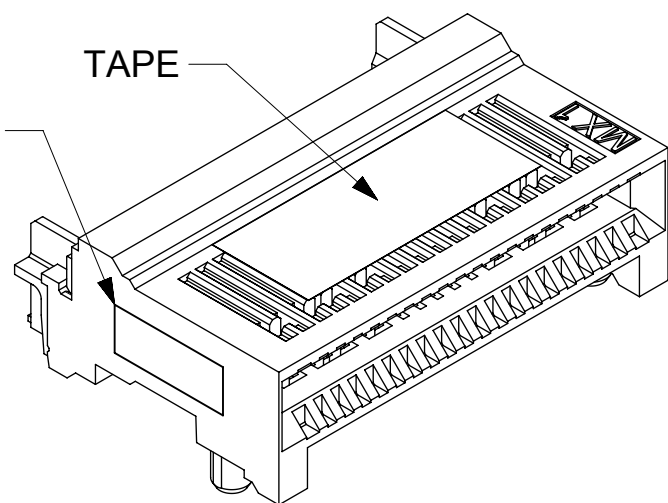


NOTES 6:
DDD Y XX

DAYS
YEAR

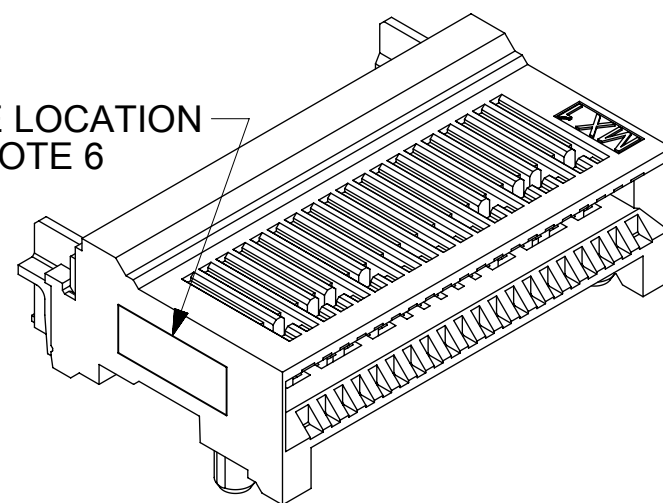
1#=EXISTING LINE
2#=NEW LINE

DATE CODE LOCATION
SEE NOTE 6



170432-0001
170432-0002
170432-0003
170432-0005
WITH TAPE

DATE CODE LOCATION
SEE NOTE 6

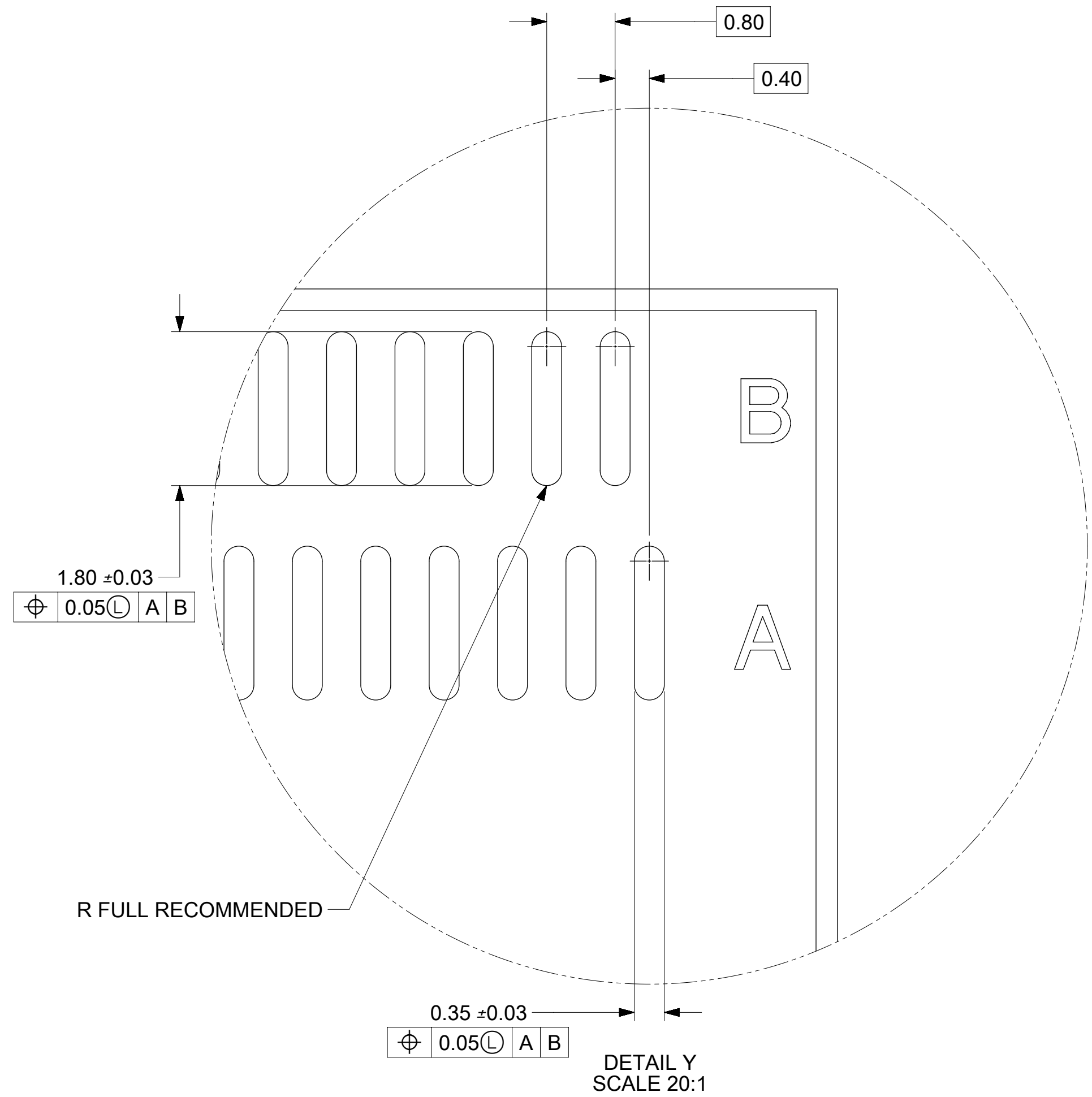
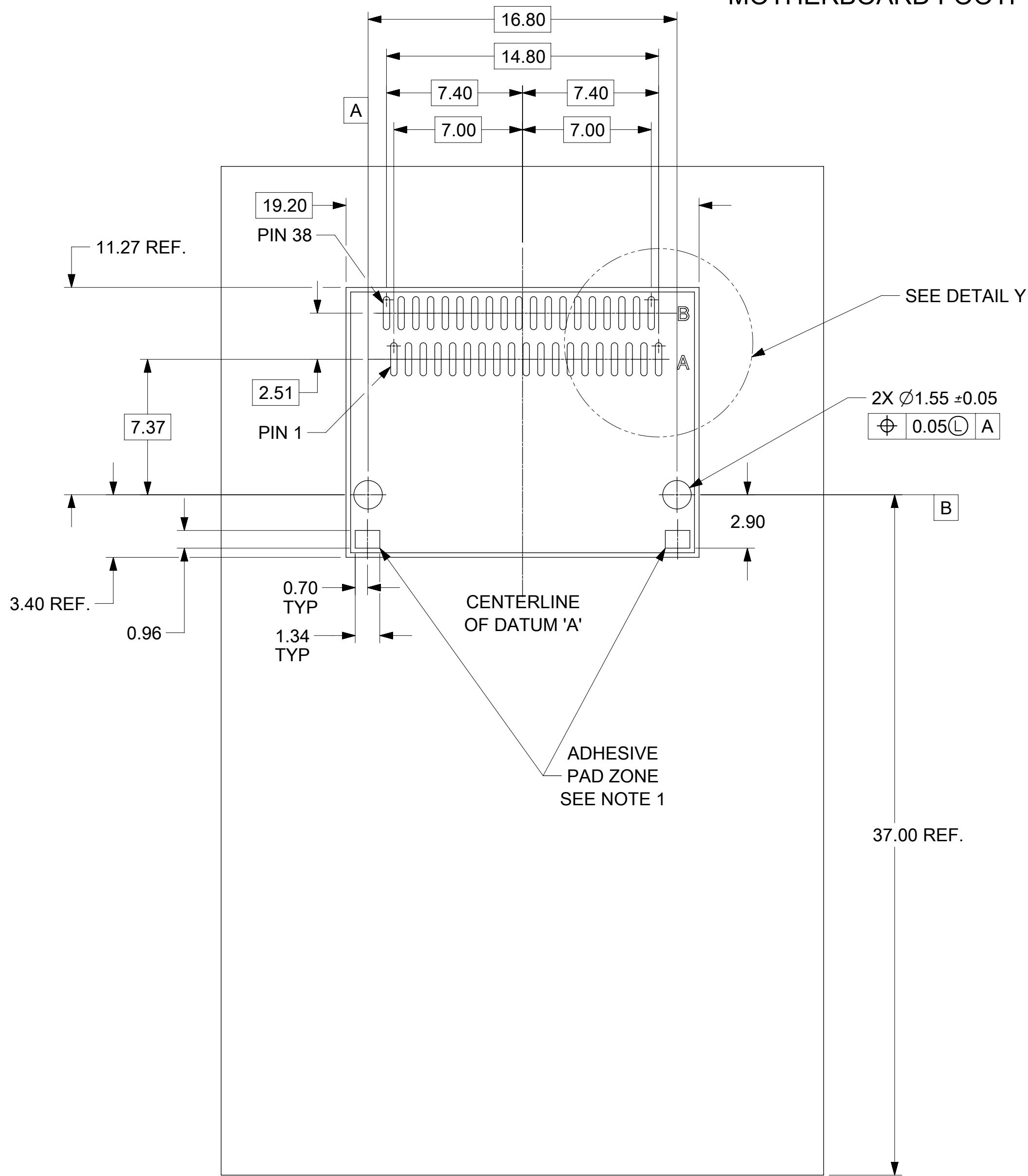


170432-0007
WITH OUT TAPE

PART NUMBER	DESCRIPTION	PACKAGING
170432-0001	PLATED PER NOTE 2	SEE PK-170432-900
170432-0002	PLATED PER NOTE 3	
170432-0003	PLATED PER NOTE 4	
170432-0005	PLATED PER NOTE 3	SEE 1704329901
170432-0007	PLATED PER NOTE 3	SEE PK-170432-900

SYMBOLS		THIS DRAWING CONTAINS INFORMATION THAT IS PROPRIETARY TO MOLEX ELECTRONIC TECHNOLOGIES, LLC AND SHOULD NOT BE USED WITHOUT WRITTEN PERMISSION		CURRENT REV DESC: MIGRATED TO NX				
▽ = 0	MM	SCALE	4:1	EC NO: 620187				
▽ = 0	GENERAL TOLERANCES (UNLESS SPECIFIED)		DRWN: TTAO03		2019/06/03	DOCUMENT NUMBER SD-170432-002 DOC TYPE PSD DOC PART 001 REVISION F		
▽ = 0	ANGULAR TOL ± 0.5°		CHK'D: RNELSON		2019/07/18			
▽ = 0	4 PLACES ±		APPR: RNELSON		2019/07/18	INITIAL REVISION: DRWN: JGONZALEZ01 2010/05/06 APPR: JJANTELEZIO 2011/01/27		
▽ = 0	3 PLACES ±		THIRD ANGLE PROJECTION		DRAWING			
▽ = 0	2 PLACES ± 0.25		SERIES		170432	DRAFT WHERE APPLICABLE MUST REMAIN WITHIN DIMENSIONS		
▽ = 0	1 PLACE ± 0.38		THIRD ANGLE PROJECTION		DRAWING			
▽ = 0	0 PLACES ±		THIRD ANGLE PROJECTION		DRAWING	DRAFT WHERE APPLICABLE MUST REMAIN WITHIN DIMENSIONS		
▽ = 0	DRAFT WHERE APPLICABLE MUST REMAIN WITHIN DIMENSIONS		THIRD ANGLE PROJECTION		DRAWING			

MOTHERBOARD FOOTPRINT RECOMMENDATION

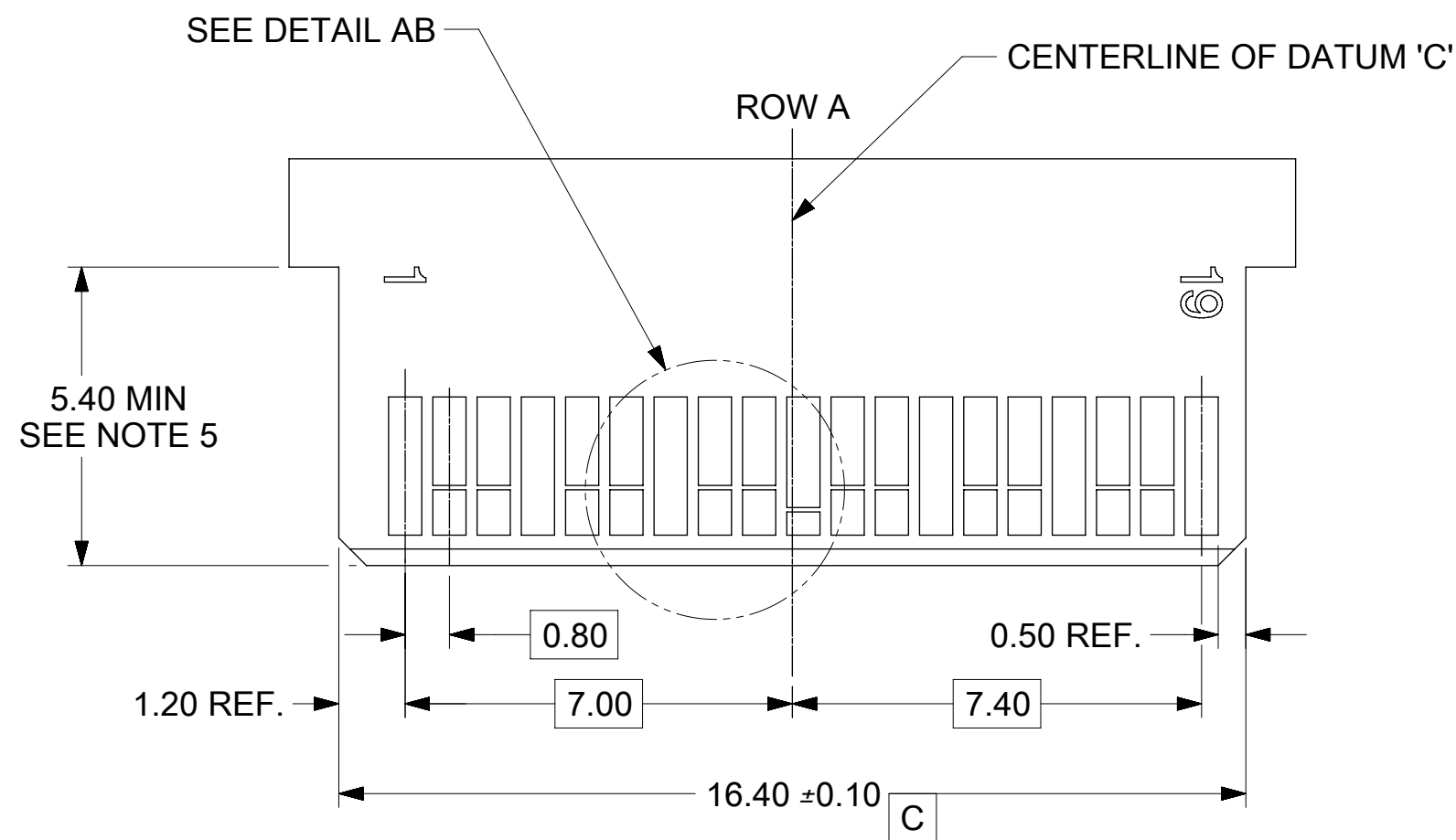
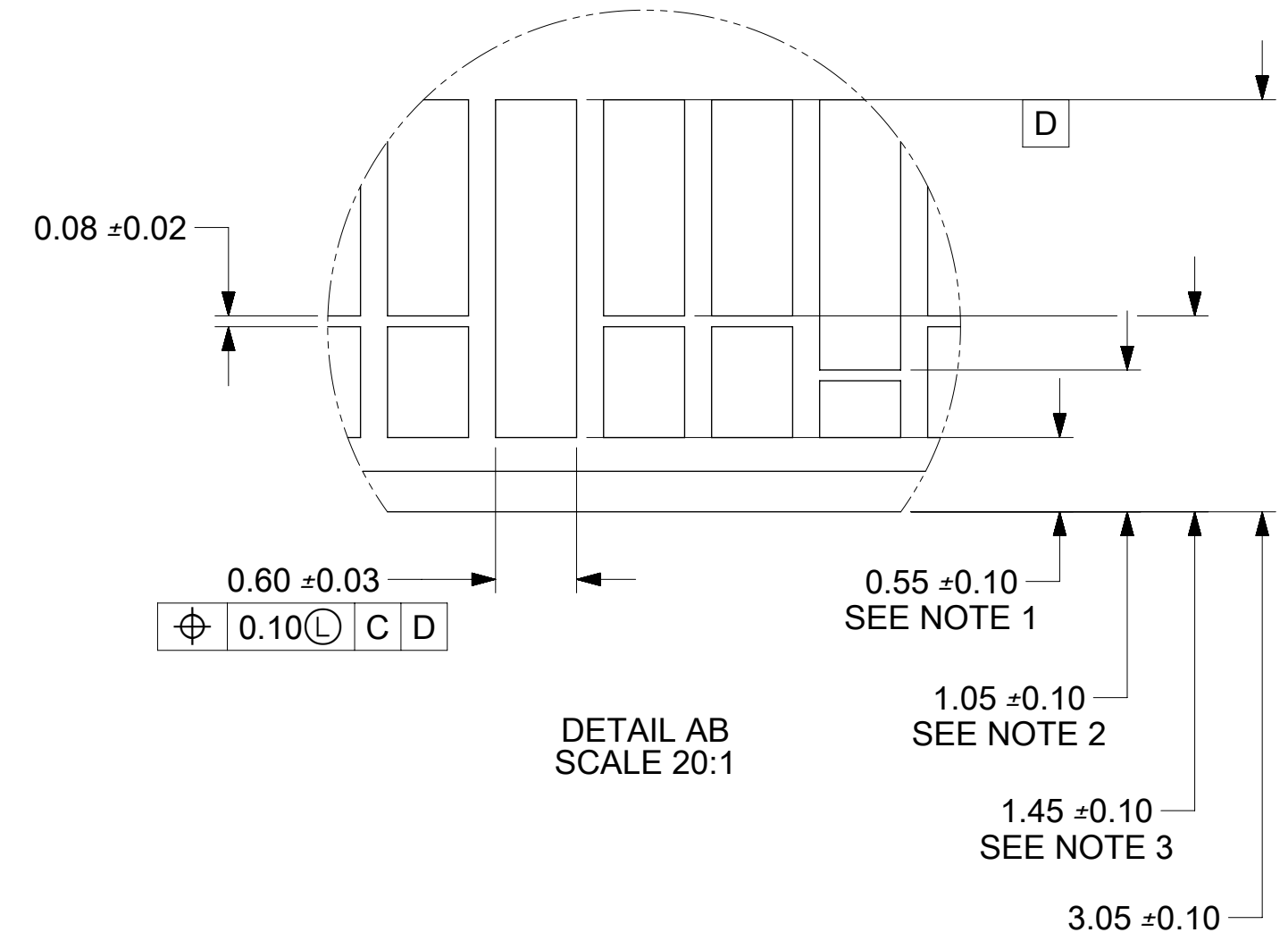
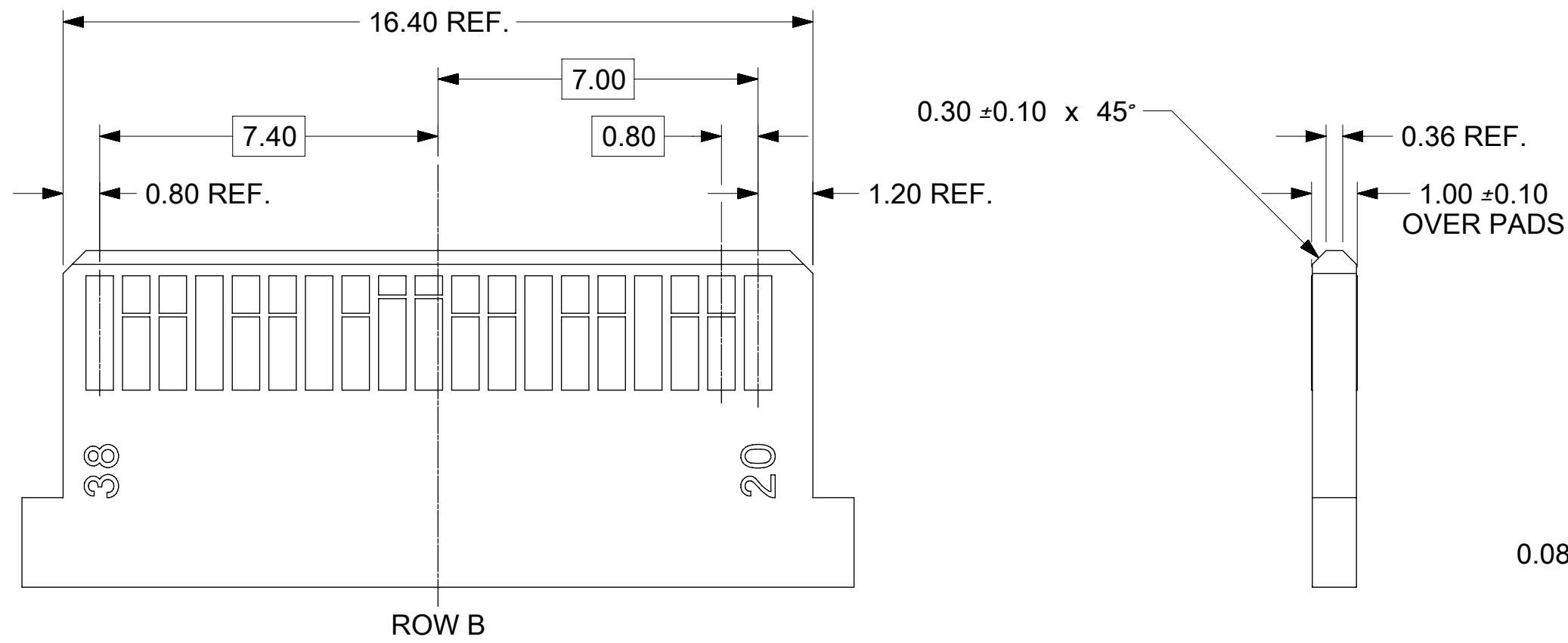


NOTES:

1. WHEN USING A TWO PASS REFLOW PROCESS WHERE THE CONNECTOR IS ON THE UNDERSIDE OF THE PCB DURING THE SECOND PASS, USE OF AN ADHESIVE IS RECOMMENDED.

SYMBOLS DIMENSION UNITS: MM SCALE: 5:1 GENERAL TOLERANCES (UNLESS SPECIFIED) ANGULAR TOL: ± 0.5° 4 PLACES: ± 3 PLACES: ± 2 PLACES: ± 0.25 1 PLACE: ± 0.38 0 PLACES: ± DRAFT WHERE APPLICABLE MUST REMAIN WITHIN DIMENSIONS THIRD ANGLE PROJECTION DRAWING SERIES: C-SIZE 170432	THIS DRAWING CONTAINS INFORMATION THAT IS PROPRIETARY TO MOLEX ELECTRONIC TECHNOLOGIES, LLC AND SHOULD NOT BE USED WITHOUT WRITTEN PERMISSION CURRENT REV DESC: MIGRATED TO NX				
	EC NO: 620187 DRWN: TTAO03 2019/06/03 CHK'D: RNELSON 2019/07/18 APPR: RNELSON 2019/07/18				ASSEMBLY ZQSFP+ 38 CIRCUIT PRODUCT CUSTOMER DRAWING
	INITIAL REVISION: DRWN: JGONZALEZ01 2010/05/06 APPR: JJANTELEZIO 2011/01/27				
	DOCUMENT NUMBER: SD-170432-002		DOC TYPE: PSD DOC PART: 001 REVISION: F	MATERIAL NUMBER: SEE TABLE CUSTOMER: GENERAL MARKET SHEET NUMBER: 2 OF 3	

MODULE BOARD FOOTPRINT RECOMMENDATION



- NOTES:
- PAD CONFIGURATION FOR FIRST MATE.
 - PAD CONFIGURATION FOR SECOND MATE.
 - PAD CONFIGURATION FOR THIRD MATE (HIGH SPEED SIGNALS).
 - FOR PIN ASSIGNMENTS AND MATING SEQUENCE (1ST,2ND,3RD). SEE APPLICABLE SPECIFICATION.
 - MINIMUM STEP REQUIRED IF PCB MADE WIDER THAN CARD TONGUE.

THIS DRAWING CONTAINS INFORMATION THAT IS PROPRIETARY TO MOLEX ELECTRONIC TECHNOLOGIES, LLC AND SHOULD NOT BE USED WITHOUT WRITTEN PERMISSION									
SYMBOLS		DIMENSION UNITS		SCALE		CURRENT REV DESC: MIGRATED TO NX			
= 0		MM		8:1		molex ASSEMBLY ZQSFP+ 38 CIRCUIT PRODUCT CUSTOMER DRAWING			
= 0		GENERAL TOLERANCES (UNLESS SPECIFIED)							
= 0		ANGULAR TOL ± 0.5°							
= 0		4 PLACES ±							
= 0		3 PLACES ±							
= 0		2 PLACES ± 0.25				EC NO: 620187			
= 0		1 PLACE ± 0.38				DRWN: TTAO03 2019/06/03			
= 0		0 PLACES ±				CHK'D: RNELSON 2019/07/18			
= 0		DRAFT WHERE APPLICABLE MUST REMAIN WITHIN DIMENSIONS				APPR: RNELSON 2019/07/18			
= 0		THIRD ANGLE PROJECTION		DRAWING		SERIES		INITIAL REVISION:	
		C-SIZE		170432		DRWN: JGONZALEZ01 2010/05/06		APPR: JJANTELEZIO 2011/01/27	
DOCUMENT STATUS		P1		RELEASE DATE		2019/07/18 09:40:40		DOCUMENT NUMBER	
12		11		10		9		SD-170432-002	
								DOC TYPE	
								PSD	
								DOC PART	
								001	
								REVISION	
								F	
								SHEET NUMBER	
								3 OF 3	