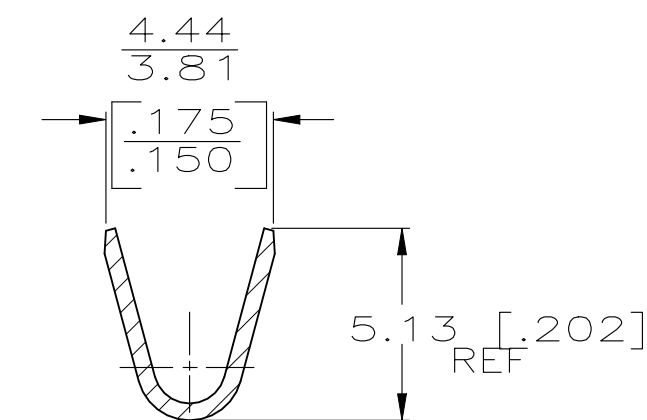
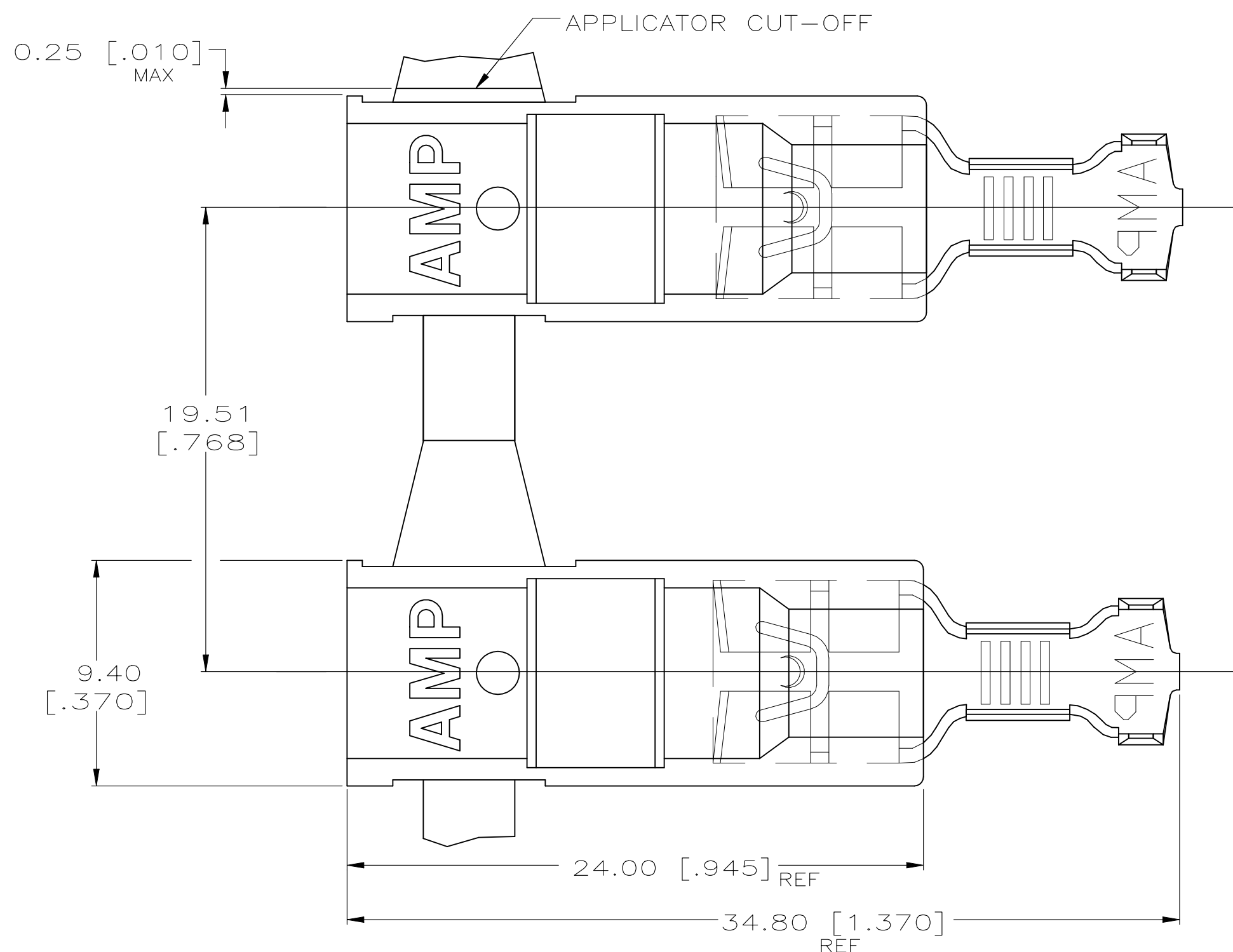
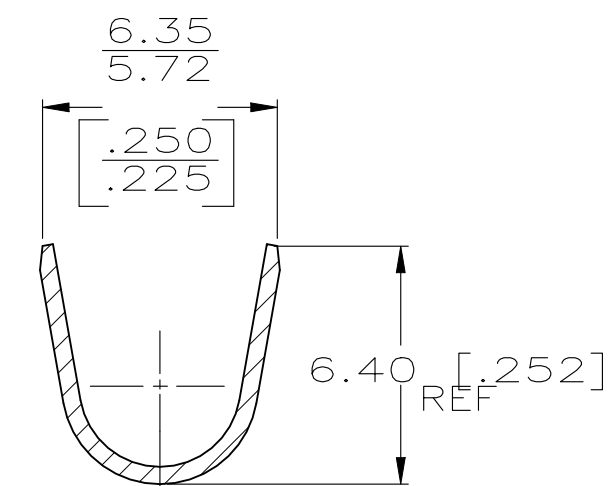
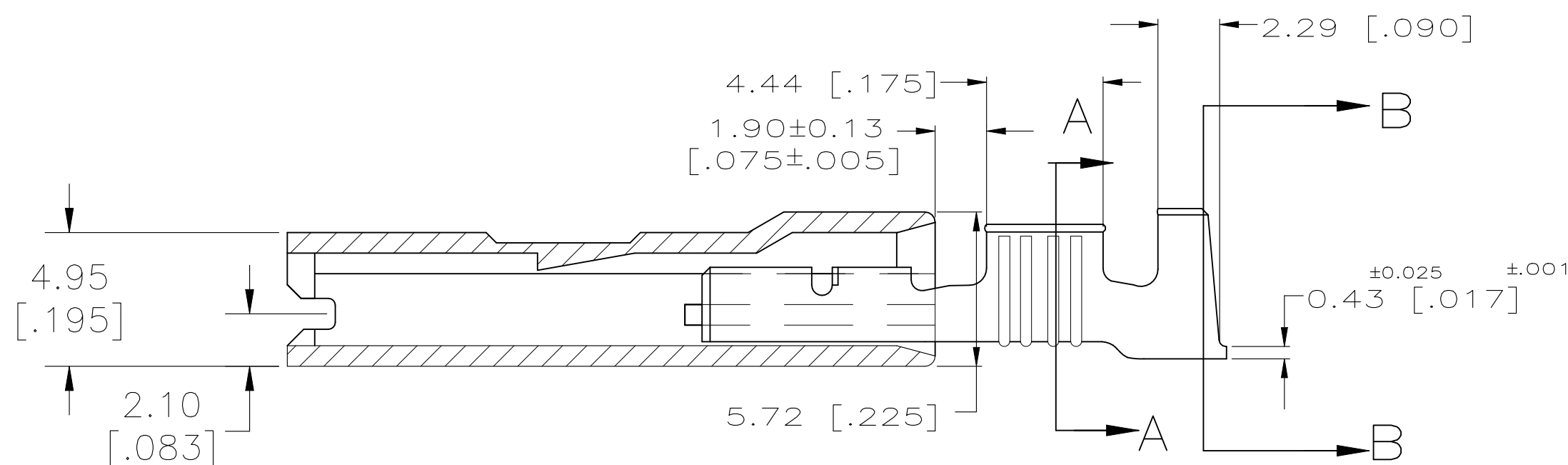


REVISIONS					
P	LTR	DESCRIPTION	DATE	DWN	APVD
M4		REVISED PER ECR-22-160893	14DEC2022	DB	BW



SECTION A-A



SECTION B-B

- 1 LOW-INSERTION FASTON TERMINALS, BASE P/N 63639, ARE USED IN THIS PRODUCT.
- 2 TIN PER MIL-T-10727.
- 3 MATERIAL: HOUSING - 6/6 NTLON
TERMINAL - BRASS
- 4 FINISH: HOUSING - COLOR, NATURAL
TERMINAL - SEE TABLE

OBSOLETE	BULK	PLAIN			-5-520974-2-
	STANDARD	2 TIN PLATED	3.30-4.57 [.130-.180]	2.0-5.0 mm [14-10]	520974-2
	PACKAGING	PLAIN			520974-1
		TERMINAL FINISH	INSULATION RANGE	WIRE SIZE	MATING TAB THK ±0.025 [±.001]
					PART NO.

THIS DRAWING IS A CONTROLLED DOCUMENT.		DWN	JR RUTH	6/11/90	<p>TE Connectivity</p> <p>ASSEMBLY, RECEPTACLE, ULTRA-POD, 6.35 [.250] SERIES</p>							
DIMENSIONS: mm [INCHES]		CHK	MS FEHER	6/11/90								
TOLERANCES UNLESS OTHERWISE SPECIFIED:		APVD	-	-								
0 PLC ± - 1 PLC ± - 2 PLC ± - 3 PLC ± 0.25 [.010] 4 PLC ± - ANGLES ± -		PRODUCT SPEC	108-1285	APPLICATION SPEC								
MATERIAL	3	FINISH	4	114-2124	SIZE	A2	CAGE CODE	00779	DRAWING NO	C=520974	RESTRICTED TO	-
CUSTOMER DRAWING		WEIGHT	0.000000	SCALE	5:1	SHEET	1 of 1	REV	M4			