



NO: Rel - 203	PRODUCT: G3VM-351G – MOSFET Relay
DATE: February 2018	TYPE: DISCONTINUATION – Streamline Product Offering

G3VM-351G MOSFET Relay - DISCONTINUATION

In an effort to streamline our product offering and focus on popular models of Omron’s line of MOSFET Relays, OMRON will discontinue the G3VM-351G / 351G(TR) relay model in August 2018 and the suggested replacement will be our G3VM-351VY / VY(TR) / VY(TR05). Please carefully read through this notification and note the differences. The following details will fully explain the discontinuation and suggested replacement considerations; should you have any additional questions, however, please communicate with the Relay Product Manager.

LAST Order date (Last Time Buy Date)

August 31, 2018



<p>Product Discontinuation</p> <p>MOSFET Relay</p> <p> Model G3VM-351G Model G3VM-351G(TR)</p>		<p>Suggested Replacement</p> <p>MOSFET Relay</p> <p>Model G3VM-351VY Model G3VM-351VY(TR) Model G3VM-351VY(TR05)</p>
--	---	--

G3VM-351G Suggested Replacement -- Differences from discontinued product:

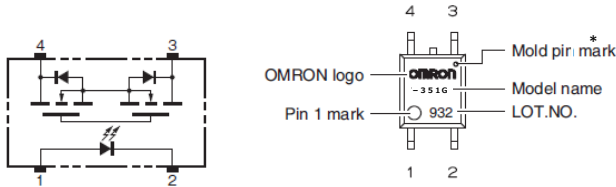
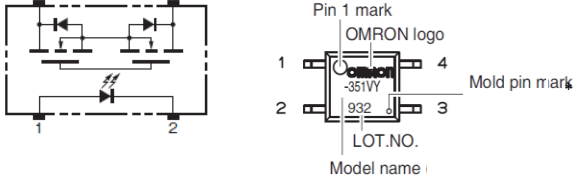
Suggested replacement Model	Body Color	Dimen -sions	Wire connection	Mounting Dimensions	Charact -eristics	Operation ratings	Operation methods
G3VM-351VY	--	*	**	**	*	*	**
G3VM-351VY(TR) G3VM-351VY(TR05)	--	*	**	**	*	*	**

- ** : Compatible
- * : The change is a little/Almost compatible
- : Not compatible
- : No corresponding specification

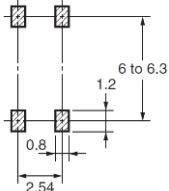
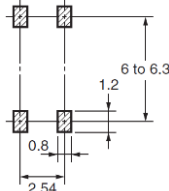
Body Color:

Discontinued Model G3VM-351G / 351G(TR)	Suggested Replacement Model G3VM-351VY / 351VY(TR) / 351VY(TR05)
<p>Ivory</p> 	<p>Black</p> 

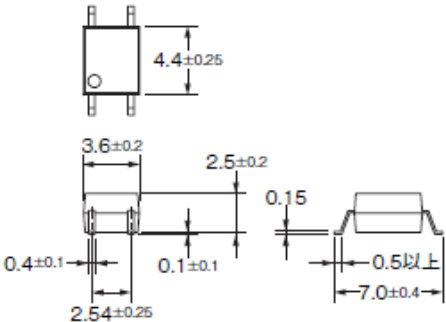
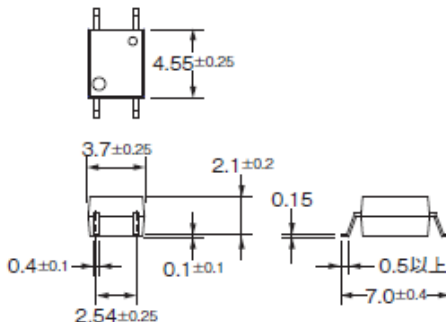
Wire Connection:

Discontinued Model G3VM-351G / 351G(TR)	Suggested Replacement Model G3VM-351VY / 351VY(TR) / 351VY(TR05)
<p>Internal Connections / Terminal Arrangement</p>  <p>*The indentation in the corner diagonally opposite from the pin 1 mark is due to a pin on the mold.</p>	<p>Internal Connections / Terminal Arrangement</p>  <p>*The indentation in the corner diagonally opposite from the pin 1 mark is due to a pin on the mold.</p>

Mounting Dimensions:

Discontinued Model G3VM-351G / 351G(TR)	Suggested Replacement Model G3VM-351VY / 351VY(TR) / 351VY(TR05)
<p>Mounting dimensions (TOP VIEW) Tolerance $\pm 0.1\text{mm}$</p> 	<p>Mounting dimensions (TOP VIEW) Tolerance $\pm 0.1\text{mm}$</p> 

Dimensions:

Discontinued Model G3VM-351G / 351G(TR)	Suggested Replacement Model G3VM-351VY / 351VY(TR) / 351VY(TR05)
<p>Package type: SOP4 Surface mounting Terminal</p> 	<p>Package type: SOP4 Surface mounting Terminal</p> 

Characteristics:

Item				Discontinued Model G3VM-351G / 351G(TR)			Suggested Replacement Model G3VM-351VY / 351VY(TR) / 351VY(TR05)		
Absolute maximum Rating		Symbol	Unit	Rating			Rating		
Input	<u>LED forward current</u>	I _F	mA	50			30		
	Repetitive peak LED forward current	I _{FP}	A	1			1		
	LED reverse voltage	V _R	V	5			6		
Output	Load Voltage(AC/DC)	V _{OFF}	V	350			350		
	Continuous load current	I _O	mA	110			110		
<u>Dielectric strength between input and output</u>		V _{I-O}	Vrms	1500			3750		
<u>Operating Temperature</u>		T _a	°C	-40 ~ + 85			-40 ~ + 110		
Storage Temperature		T _{stg}	°C	-55 ~ + 125			-55 ~ + 125		
Electrical Characteristics		Symbol	Unit	Min.	Typ.	Max	Min.	Typ.	Max
Input	<u>LED Forward voltage</u>	V _F	V	1	1.15	1.3	1.1	1.27	1.4
	<u>Trigger LED Forward Current</u>	I _{FT}	mA	-	1	3	-	0.8	3
Output	Maximum resistance with output ON	R _{ON}	Ω	-	35	50	-	35	50
	Current leakage when the relay is open	I _{LEAK}	A	-	-	1u	-	1n	1u
Capacity between I/O terminals		C _{I-O}	pF	-	0.8	-	-	0.8	-
Insulation resistance between I/O terminals		R _{I-O}	MΩ	1000	-	-	1000	-	-
<u>Turn-ON time</u>		t _{ON}	ms	-	0.3	1	-	0.5	1
<u>Turn-OFF time</u>		t _{OFF}	ms	-	0.1	1	-	0.1	0.5

Note: Underlined items denote differences

Details of Applicable Models:

G3VM Discontinued Model	G3VM Suggested Replacement Model
G3VM-351G	G3VM-351VY
G3VM-351G(TR)	G3VM-351VY(TR)
	G3VM-351VY(TR05)

Sales teams should communicate this discontinuation with their OEM's and CEM's.
For further technical support and any questions, please communicate with Product Marketing.

Specifications in this product news are as of the issue date and are subject to change without notice.
Only main changes in specifications are described in this document. Please be sure to read the relevant catalogs, datasheets, product specifications, instructions, and manuals for precautions and necessary information when using products.

This PCN is intended for use in the Americas
Last time buy dates are subject to change based on availability