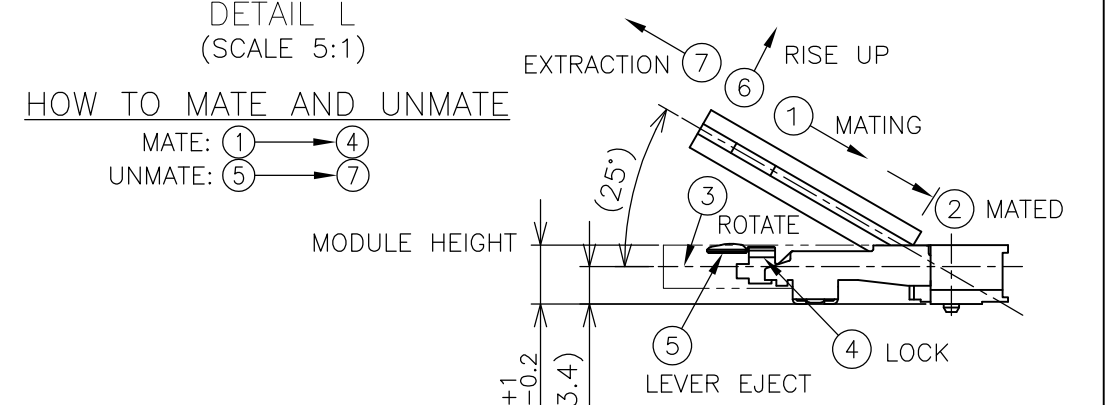
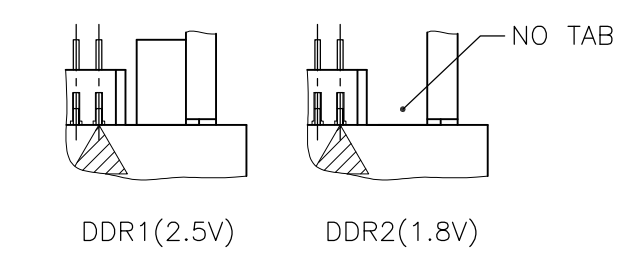
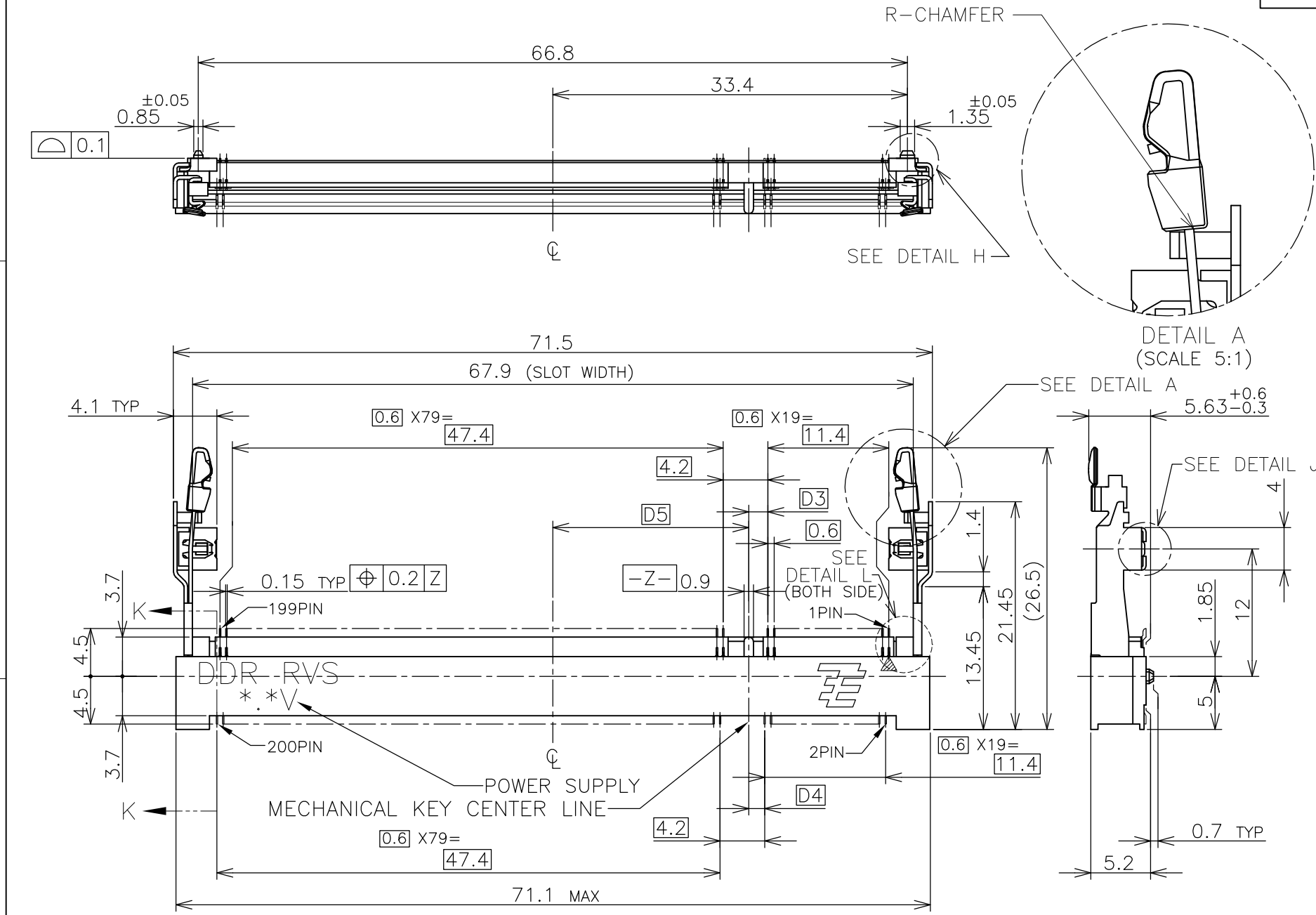


THIS DRAWING IS UNPUBLISHED. RELEASED FOR PUBLICATION OCT ,2001.
 © COPYRIGHT 2001 By - ALL RIGHTS RESERVED.

LOC	DIST	REVISIONS			
P	LTR	DESCRIPTION	DATE	DWN	APVD
ES		M2	REVISED PER ECO-11-005033	25MAR11	RK HMR



- (APPLIED TO SHEET 1-2)
- 1. MATERIAL ; HOUSING: HIGH TEMPERATURE THERMO PLASTIC UL94V-0
 CONTACT: COPPER ARROY
 LOCK LEVER STAINLESS STEEL
 SOLDER PEG: COPPER ARROY
 - △ FINISH ; CONTACT AREA: GOLD FLASH ON 0.0013MIN ALL OVER NICKEL.
 SOLDERING AREA: GOLD FLASH PLT.
 SOLDER PEG: TIN PLATING.
 - △ MECHANICAL KEY POSITION OF CONNECTOR SEE TABLE.
 - △ TOLERANCES NON-CUMULATIVE.
 - △ NOT TO SCALE.
 - △ [] INSIDE MUST BE RESIST COAT EXCEPT SOLDER PATTERN.
 - 7. IF THE MODULE DOESN'T INSERT AND LOCK IN THE LATCH SMOOTHLY, OPEN WIDE BOTH LATCHES BY MANUAL. AND THE MODULE MUST BE INSERTED AND LOCKED IN THE LATCH.
 - △ FINISH ; CONTACT AREA: 0.00076 GOLD ON 0.0013MIN ALL OVER NICKEL.
 SOLDERING AREA: GOLD FLASH PLT.
 SOLDER PEG: TIN PLATING.

△	AVAILABLE	1.8V (DDR2)	17.55	2.4	2.7	200	1473150-6
△	AVAILABLE	1.8V (DDR2)	17.55	2.4	2.7	200	1-1473150-4
△	AVAILABLE	1.8V (DDR2)	17.55	2.4	2.7	200	1473150-4
△	AVAILABLE	2.5V (DDR1)	18.45	1.5	1.8	200	1473150-1
FINISH	TOOLING STATUS	POWER SUPPLY	D5	D4	D3	POS	PART NO.
THIS DRAWING IS A CONTROLLED DOCUMENT.			DWN	20JUL10			
			CHK	20JUL10			
			APVD	20JUL10			
DIMENSIONS: MM			TOLERANCES UNLESS OTHERWISE SPECIFIED:		NAME		
0 PLC ± -			1 PLC ± -		B.WONG		
2 PLC ± -			3 PLC ± -		C.WANG		
3 PLC ± -			4 PLC ± -		S.YAO		
ANGLES ± -			FINISH		PRODUCT SPEC		
					108-5701		
MATERIAL			WEIGHT		APPLICATION SPEC		
			4.7g		SIZE		
			CUSTOMER DRAWING		A300779		C-1473150
			SCALE		SHEET		REV
			2:1		1 OF 4		M2

STE TE Connectivity

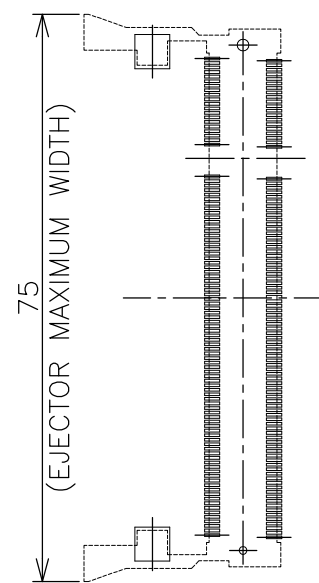
DDR1 & DDR2 SODIMM SOCKET
 0.6mm PITCH 200POS
 STANDARD PROFILE REVERSE TYPE (NEW LATCH TYPE)

RESTRICTED TO

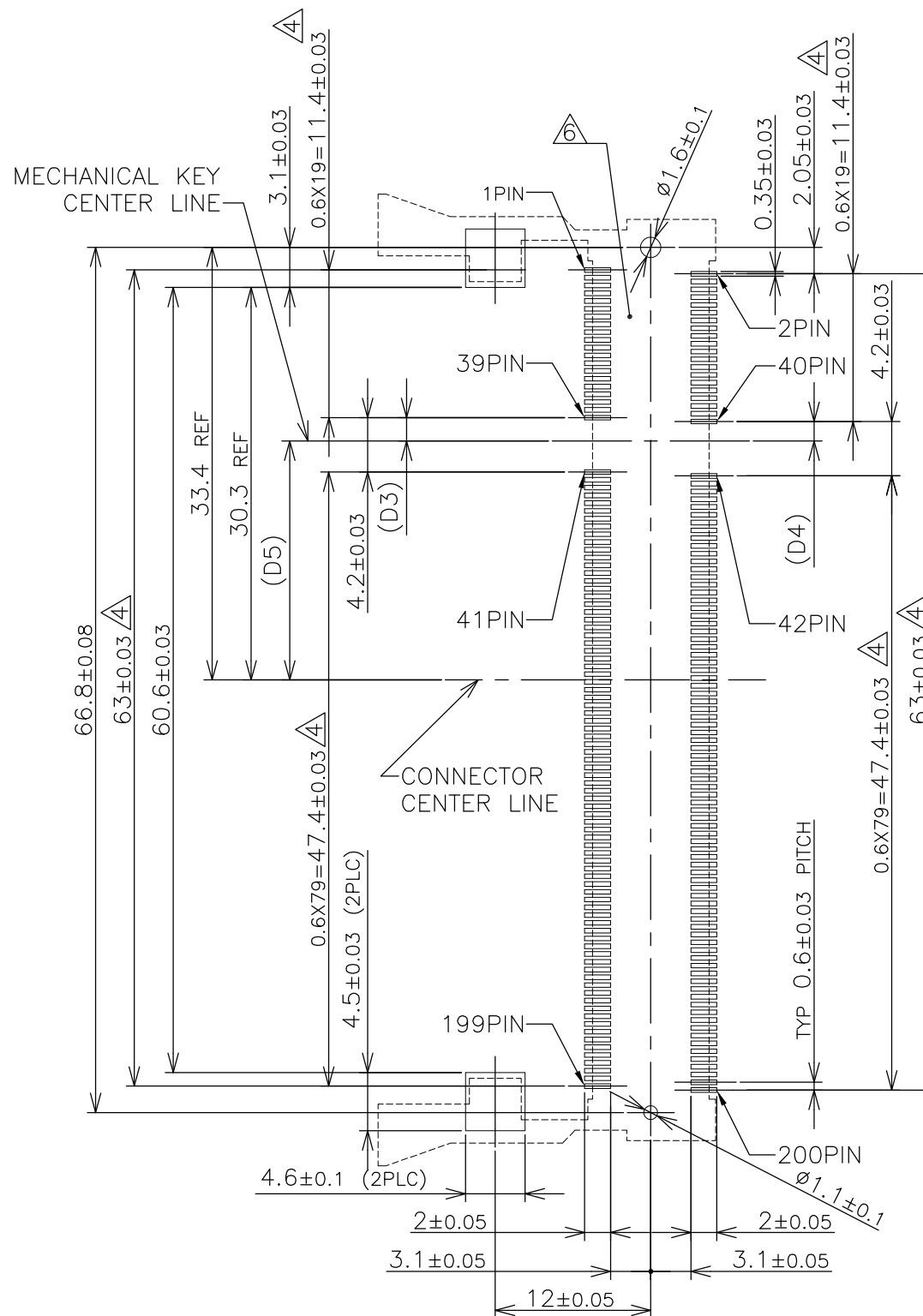
LOC ES DIST

REVISIONS				DATE	DWN	APVD
P	LTR	DESCRIPTION	DATE	DWN	APVD	
-	-	SEE SHEET 1	-	-	-	-

REFERENCE P.C.BOARD PATTERN LAYOUT (CONNECTOR MOUNTING SIDE)



REAL SIZE (SCALE 1:1)



1.8V	17.55	2.4	2.7
2.5V	18.45	1.5	1.8
POWER SUPPLY	D5	D4	D3

THIS DRAWING IS A CONTROLLED DOCUMENT.		DWN	TE Connectivity				
DIMENSIONS: MM		CHK			NAME		
		APVD			DDR1 & DDR2 SODIMM SOCKET 0.6mm PITCH 200POS STANDARD PROFILE REVERSE TYPE (NEW LATCH TYPE)		
TOLERANCES UNLESS OTHERWISE SPECIFIED:		PRODUCT SPEC	SIZE	CAGE CODE	DRAWING NO	RESTRICTED TO	
0 PLC ± 1 PLC ± 2 PLC ± 3 PLC ± 4 PLC ± ANGLES ± FINISH ±		APPLICATION SPEC	A3	00779	C-1473150	-	
MATERIAL		WEIGHT	CUSTOMER DRAWING		SCALE	SHEET	REV
					2:1	2 OF 4	M2

4

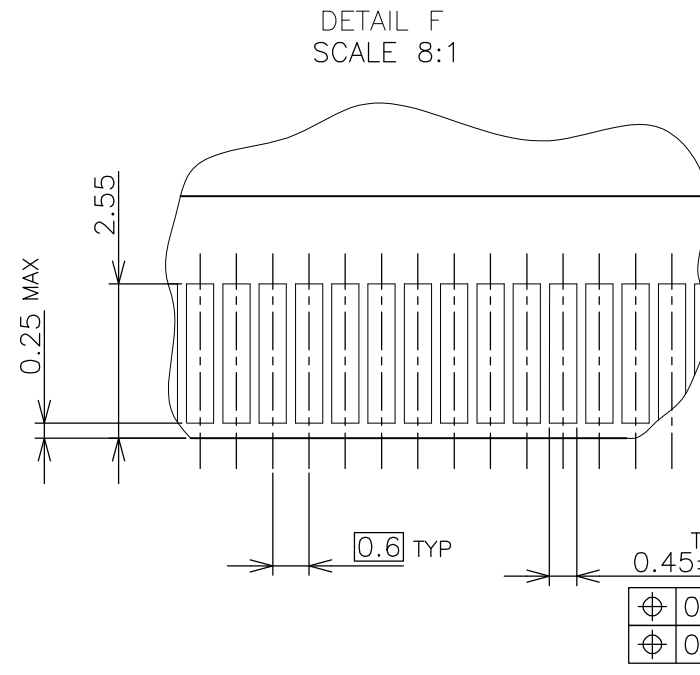
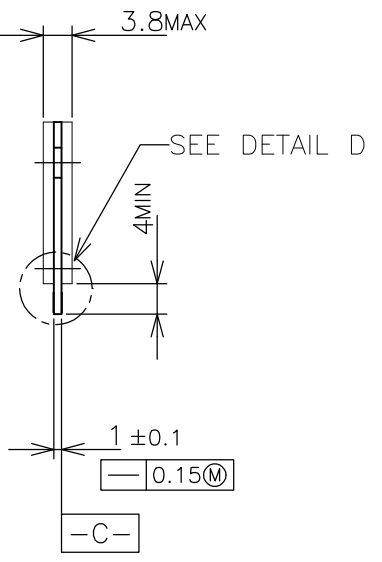
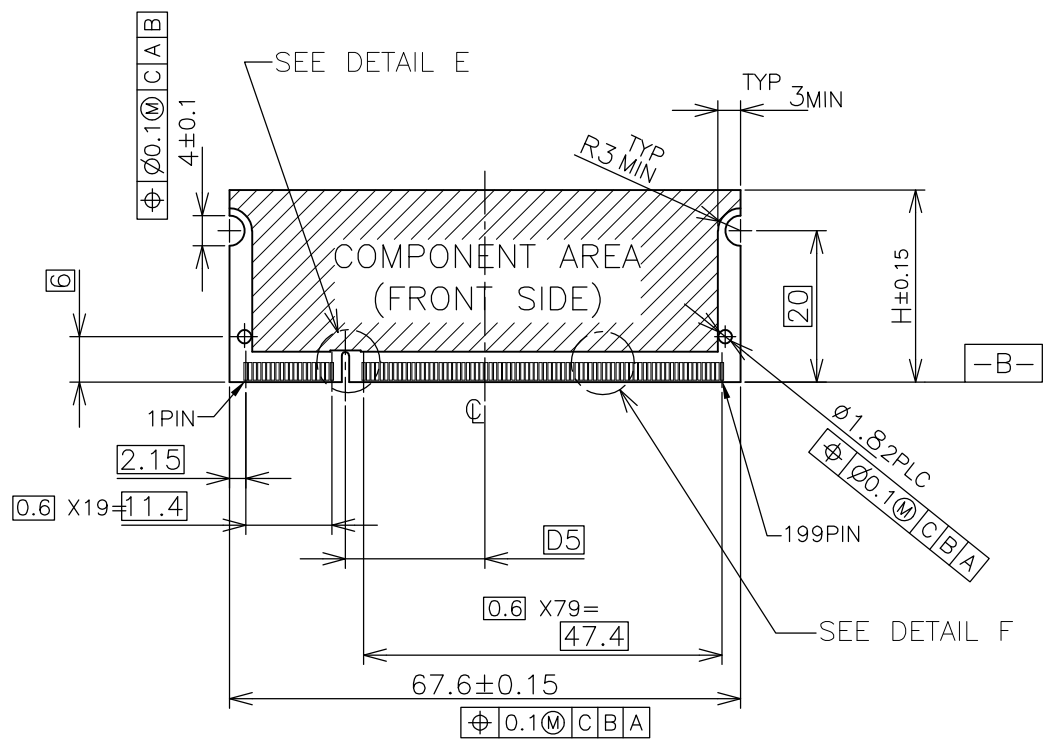
3

2

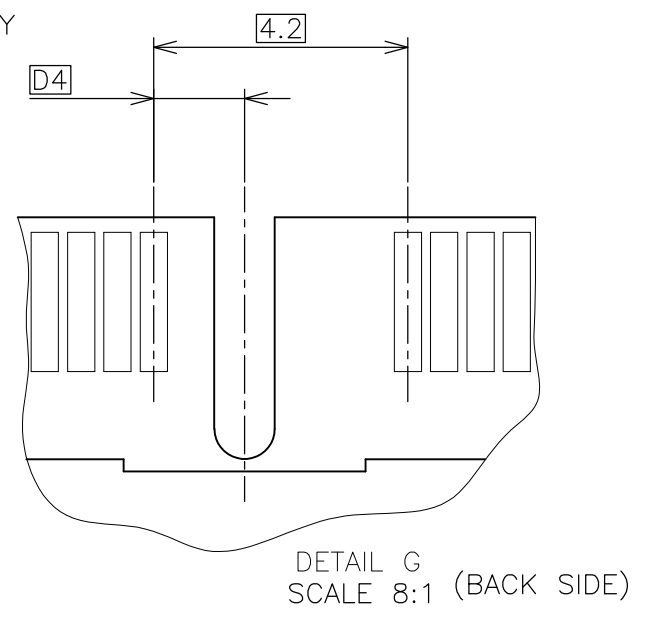
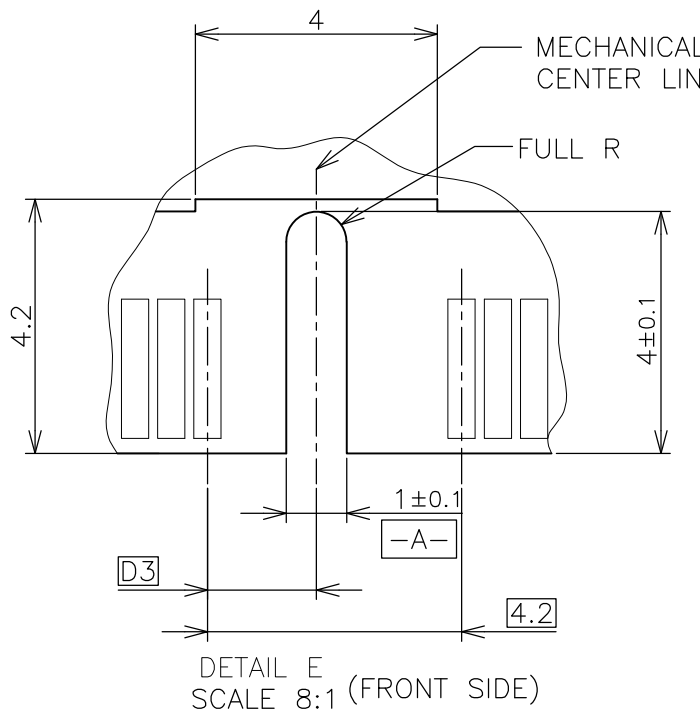
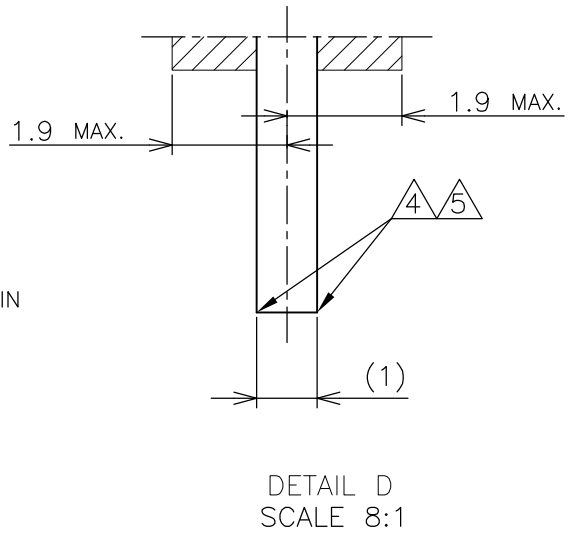
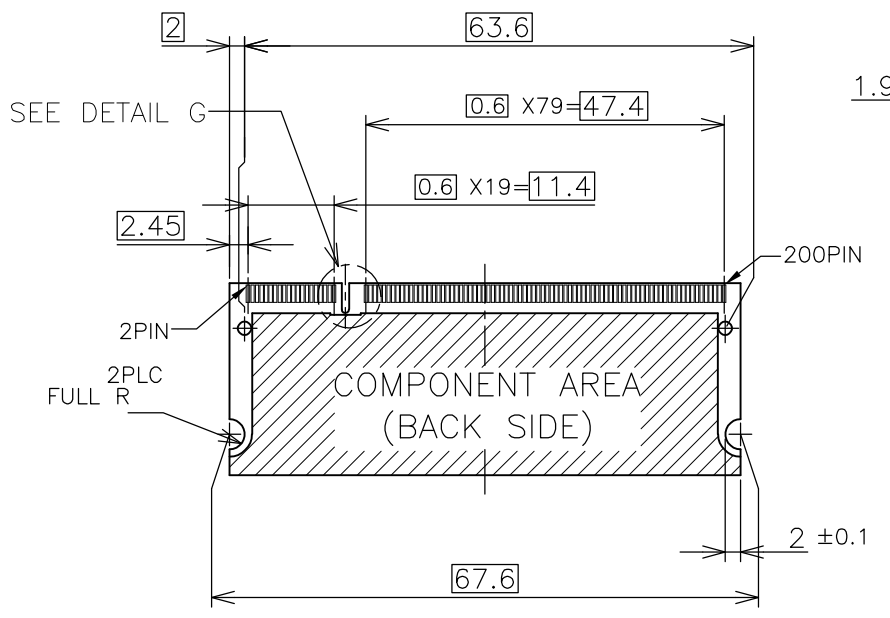
1

THIS DRAWING IS UNPUBLISHED. RELEASED FOR PUBLICATION OCT ,2001.
 © COPYRIGHT 2001 By - ALL RIGHTS RESERVED.

LOC	DIST	REVISIONS				
P	LTR	DESCRIPTION	DATE	DWN	APVD	
ES		SEE SHEET 1	-	-	-	



- (APPLIED TO SHEET 3)
- TOLERANCES ON ALL DIMENSIONS ±0.15 UNLESS OTHERWISE SPECIFIED.
 - P.C. BOARD THICKNESS APPLIES ACROSS TABS AND INCLUDES PLATING AND/OR METALIZATION.
 - FINISH OF PAD : GOLD PLATING 0.00076 MIN. OVER Ni PLATING 0.002MIN.
- NO BURR
 - CHAMFER 0.25 MAX x 45° IF EXIST.



RECOMMENDED MATING P.C.B CONFIGURATION

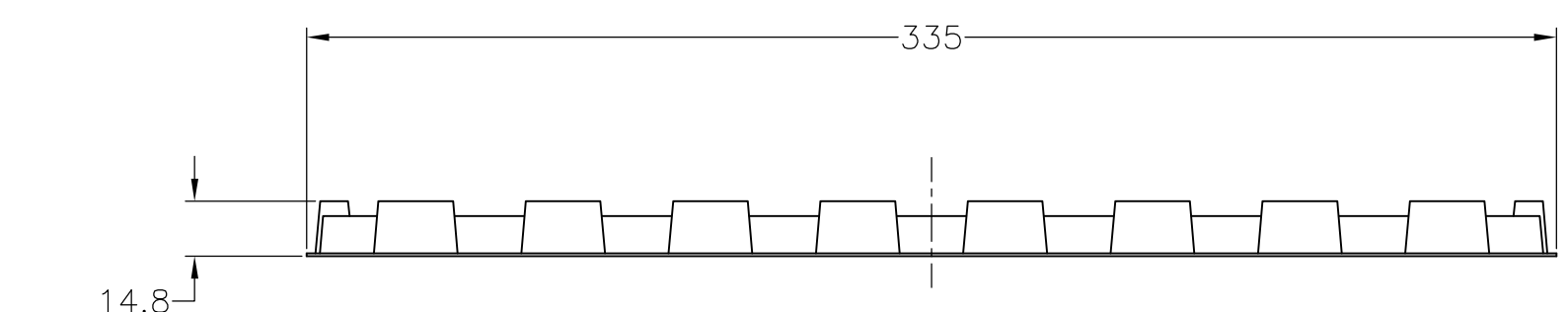
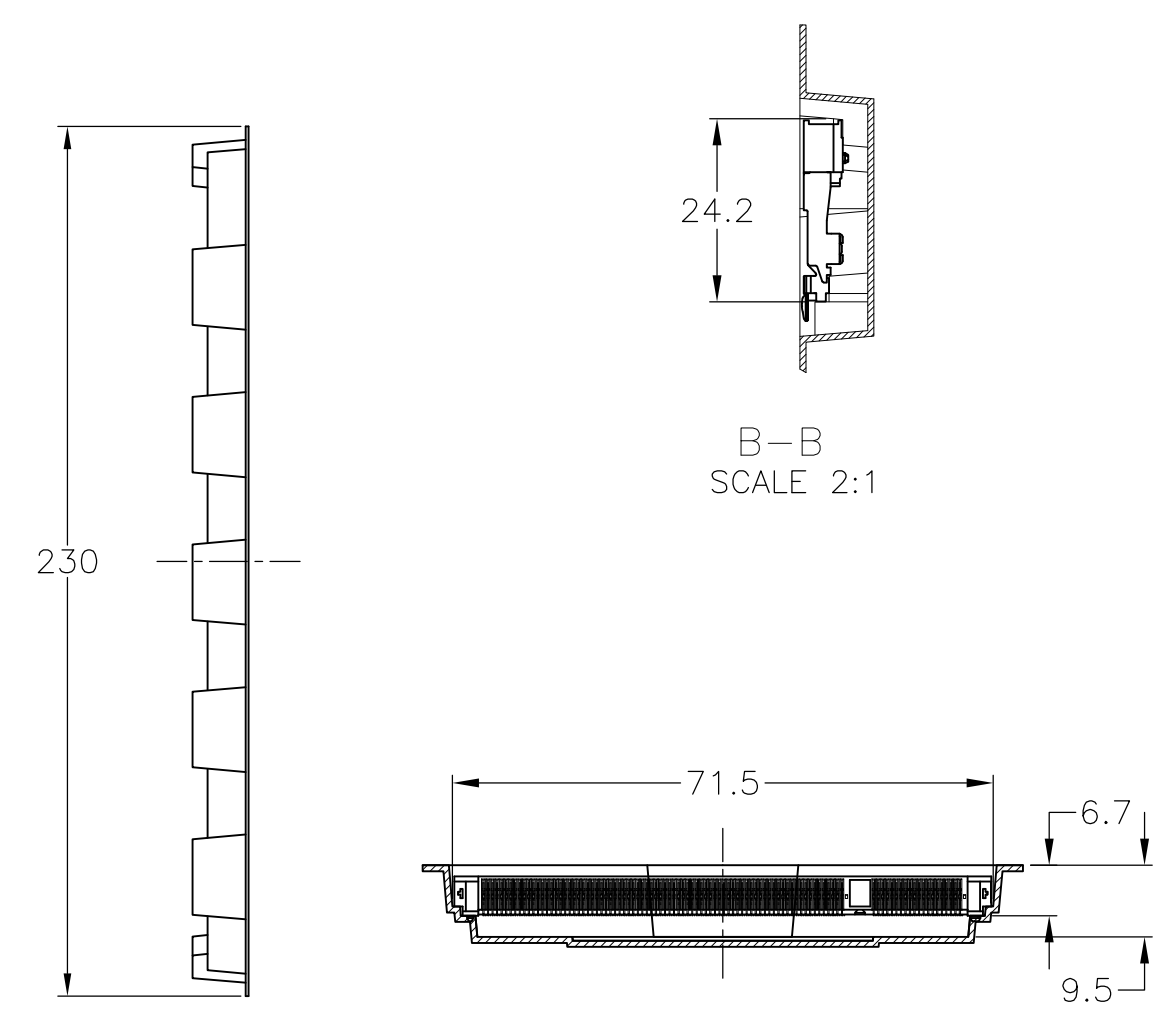
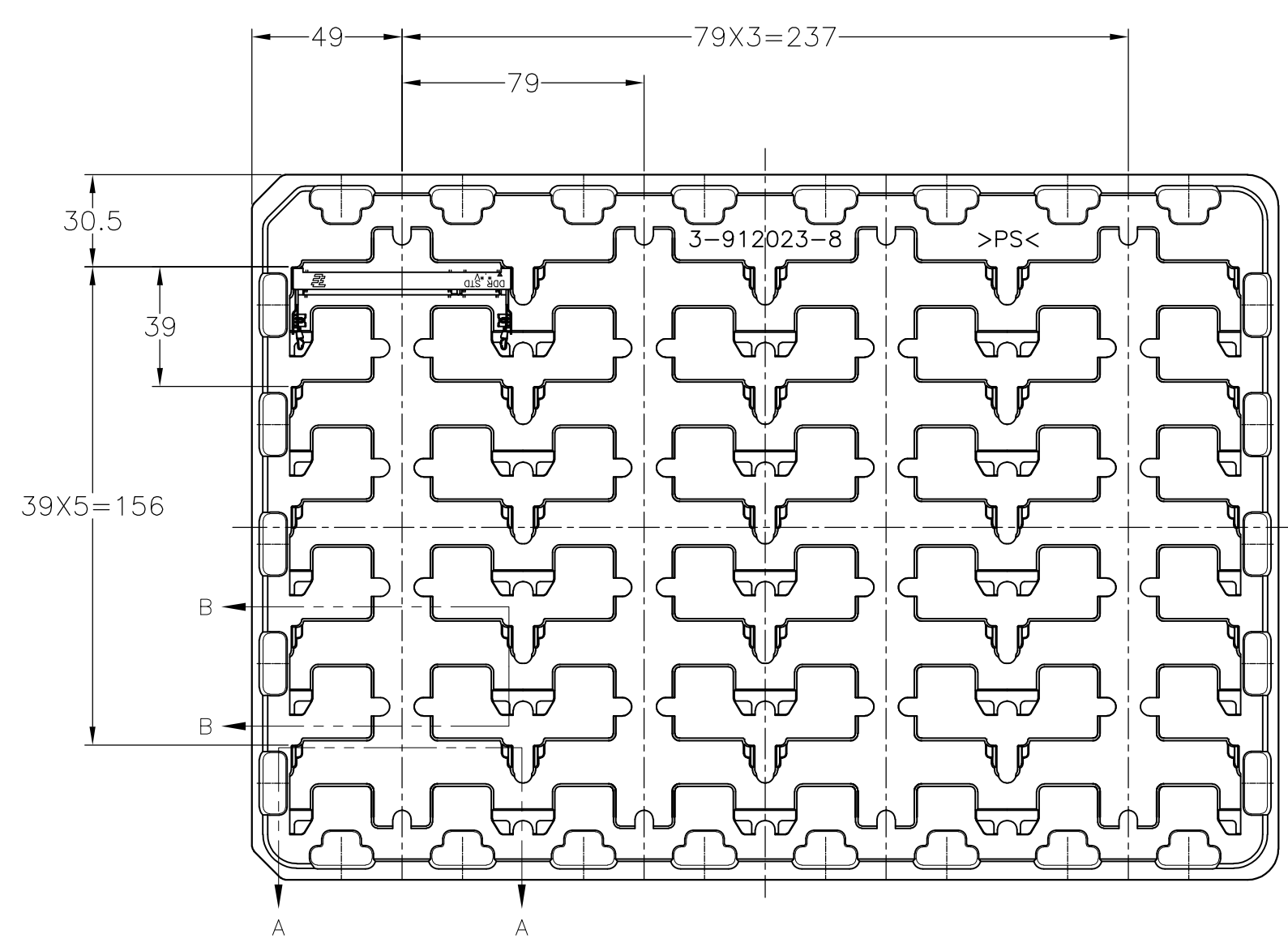
31.75	1.8V	17.55	2.4	2.7
25.4	2.5V	18.45	1.5	1.8
H	POWER SUPPLY	D5	D4	D3

THIS DRAWING IS A CONTROLLED DOCUMENT.		DWN
DIMENSIONS: MM		CHK
		APVD
TOLERANCES UNLESS OTHERWISE SPECIFIED:		PRODUCT SPEC
0 PLC	±	APPLICATION SPEC
1 PLC	±	WEIGHT
2 PLC	±	
3 PLC	±	
4 PLC	±	
ANGLES	±	
MATERIAL	FINISH	

TE Connectivity			
DDR1 & DDR2 SODIMM SOCKET			
0.6mm PITCH 200POS			
STANDARD PROFILE REVERSE TYPE (NEW LATCH TYPE)			
SIZE	CAGE CODE	DRAWING NO	RESTRICTED TO
A3	00779	C=1473150	
CUSTOMER DRAWING		SCALE	SHEET
		2:1	3 OF 4
			REV M2

THIS DRAWING IS UNPUBLISHED. RELEASED FOR PUBLICATION OCT, 2001.
 © COPYRIGHT 2001 By - ALL RIGHTS RESERVED.

LOC	DIST	REVISIONS			
P	LTR	DESCRIPTION	DATE	DWN	APVD
ES		SEE SHEET 1	-	-	-



REMARK	QTY	P/N
DDR2	20EA/TRAY	1473150-6
DDR2	20EA/TRAY	1-1473150-4
DDR2	20EA/TRAY	1473150-4
DDR1	20EA/TRAY	1473150-1

- (APPLIED TO SHEET 4)
1. THE DIRECTION OF EACH CONNECTOR ON A TRAY IS REFERRED TO THIS DRAWING.
 2. GENERAL TOLERANCE: ±0.5

THIS DRAWING IS A CONTROLLED DOCUMENT.		DWN		STE TE Connectivity	
DIMENSIONS: MM		CHK			
TOLERANCES UNLESS OTHERWISE SPECIFIED:		APVD		NAME	
0 PLC ±		PRODUCT SPEC		DDR1 & DDR2 SODIMM SOCKET	
1 PLC ±		APPLICATION SPEC		0.6mm PITCH 200POS	
2 PLC ±		WEIGHT		STANDARD PROFILE REVERSE TYPE (NEW LATCH TYPE)	
3 PLC ±		CUSTOMER DRAWING		SIZE CAGE CODE DRAWING NO RESTRICTED TO	
4 PLC ±		SCALE 1:2		A3 00779 C-1473150	
ANGLES ±		SHEET 4 OF 4		REV M2	
FINISH		REV M2			