

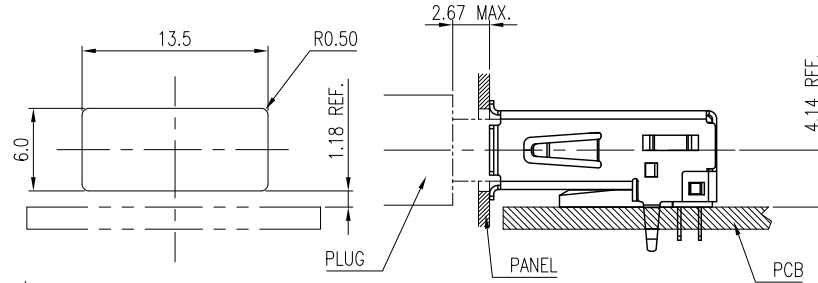
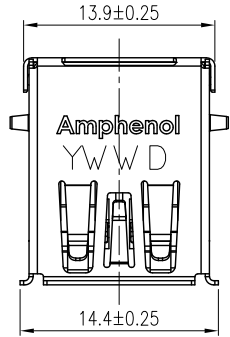
This document is the property of Amphenol Corporation and is delivered on the express condition that is not to be disclosed, reproduced or used, in whole or in part, for manufacture or sale by anyone other than Amphenol Corporation without its prior consent, and that no right is granted to disclose or to use any information in this document.

The marking on this product doesn't contain environmental hazardous materials per directive 2011/65/EU & 2015/863/EU for RoHS compliant and per IEC 61249-2-21 for Halogen-Free compliant.

**FOR REFERENCE ONLY**



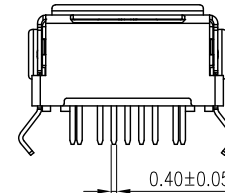
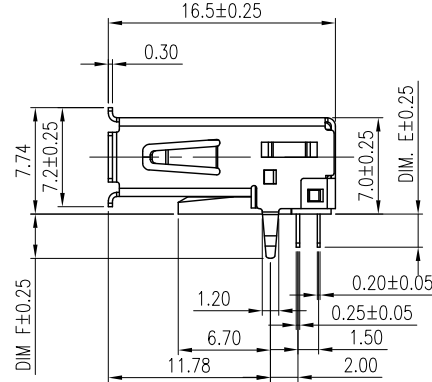
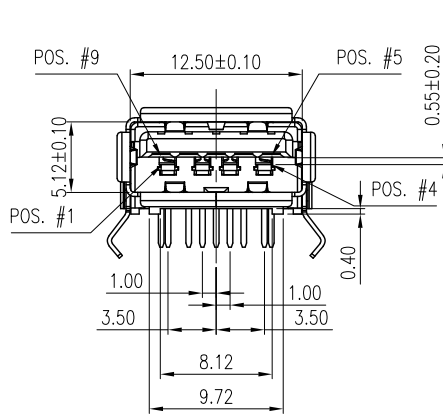
REVISIONS				
SYM	ECN No.	DESCRIPTION	DATE	BY
A	NE-14119	RELEASE TO PRODUCTION	06/20/2014	Sondra Sang
B	NE-14133	MODIFIED TAIL LENGTH	07/10/2014	Sondra Sang
UPDATE DRAWING/ADD G/F & 15u" GOLD / REMOVE NYLON / SHELLSUS			2021-07-13	



PIN #	SIGNAL NAME
1	VBUS
2	D-
3	D+
4	GND
5	SSRX-
6	SSRX+
7	GND_DRAIN
8	SSTX-
9	SSTX+
SHELL	SHIELD

PIN ASSIGNMENT

RECOMMENDED PANEL CUT OUT

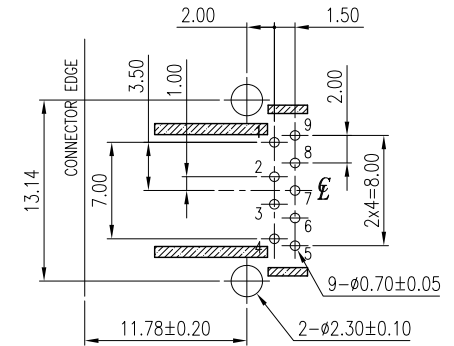


PART NUMBER:  
GSB4 111 X X X HR

CONTACT FINISH  
1: GOLD FLASH  
2: 15µ" GOLD  
3: 30µ" GOLD

OPTIONS	DIM. E	DIM. F
2:	2.4	3.2
3:	3.0	3.6

INSULATOR AND COLOR  
1: LCP, Blue  
3: LCP, Black



RECOMMENDED PCB LAYOUT- TOP VIEW  
(OTHER GENERAL TOLERANCES: ±0.05)

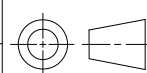
NOTES:

- HOUSING: HIGH TEMPERATURE THERMOPLASTIC OPTIONS UL 94V-0 COLOR-OPTIONS
- BOTTOM COVER: HIGH TEMPERATURE THERMOPLASTIC, UL 94V-0, COLOR:OPTIONS
- CONTACT: COPPER ALLOY, 0.25mm THICKNESS, SELECTIVE GOLD PLATING ON CONTACT AREA, 120µ" MIN. MATTE TIN PLATED ON SOLDERING TAIL, 80µ" MIN. NICKEL UNDER-PLATED OVERALL
- METAL SHELL: STAINLESS STEEL, 0.3mm THICKNESS, 50µ" MIN. NICKEL UNDER-PLATED OVERALL
- THIS PRODUCT DOESN'T CONTAIN ENVIRONMENTAL HAZARDOUS PER DIRECTIVE 2011/65/EU & 2015/863/EU FOR RoHS COMPLIANT. AND PER IEC 61249-2-21 FOR HALOGEN-FREE COMPLIANT.
- P/N: GSB41113XXXHR PRODUCT SPECIFICATION REFER TO: PS-7530  
P/N: GSB41111XXXHR/GSB41112XXXHR PRODUCT SPECIFICATION REFER TO: PS-7539

TOLERANCE	APPROVALS	DATE	TITLE	UNIT	SCALE	SIZE	PART No.
X. X.X ±0.30 X.XX ±0.20 X.XXX ±0.10	DRAWN Debby Hung	2021-07-13	USB 3.1 CONNECTOR STANDARD A R/A DIP TYPE	mm	NA	A3	GSB4111XXXHR
	CHECKED Sandy Wu	2021-07-13					
ANGULAR ±1°	APPROVED Roger Tsai	2021-07-13					
UNLESS OTHERWISE SPECIFIED	DWG TYPE CUST DWG	PROJECT CODE OTHER				1 OF 2	GSB4111XXXHR

**Amphenol**®

Amphenol Corporation  
Amphenol Taiwan Corporation



UNIT mm  
SCALE NA  
SHEET 1 OF 2  
DWG No. GSB4111XXXHR  
REV.

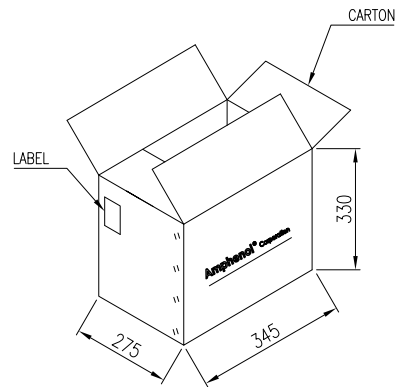
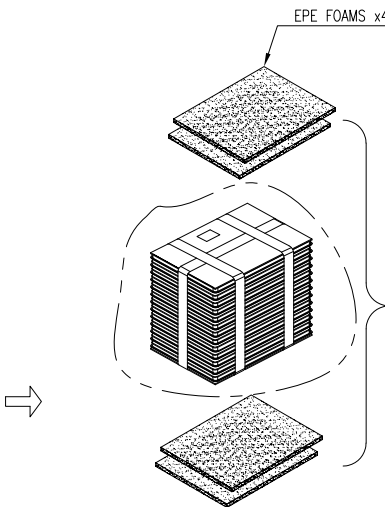
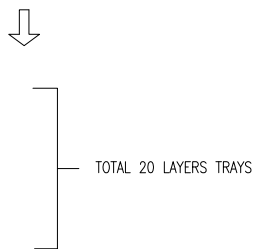
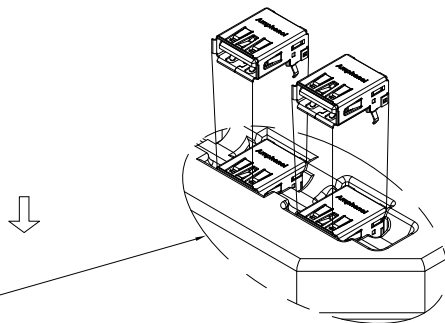
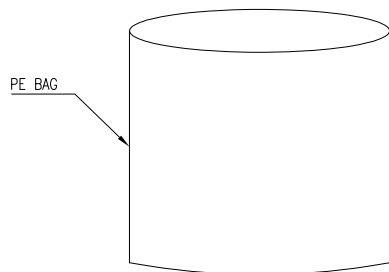
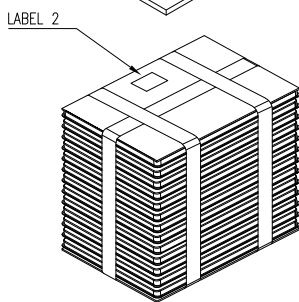
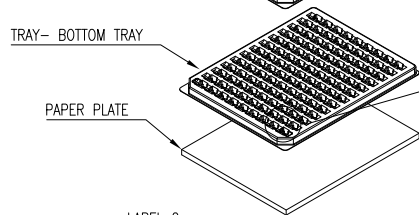
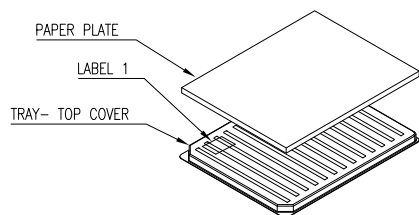
This document is the property of Amphenol Corporation and is delivered on the express condition that is not to be disclosed, reproduced or used, in whole or in part, for manufacture or sale by anyone other than Amphenol Corporation without its prior consent, and that no right is granted to disclose or to use any information in this document.

The marking on this product doesn't contain environmental hazardous materials per directive 2011/65/EU & 2015/863/EU for RoHS compliant and per IEC 61249-2-21 for Halogen-Free compliant.

**FOR REFERENCE ONLY**



REVISIONS				
SYM	ECN No.	DESCRIPTION	DATE	BY
A	NE-14119	RELEASE TO PRODUCTION	06/20/2014	Sondra Sang
B	NE-14133	MODIFIED TAIL LENGTH	07/10/2014	Sondra Sang
		UPDATE DRAWING/ADD G/F &15u" GOLD /REMOVE NYLON / SHELLSUS	2021-07-12	



- NOTES:
1. MATERIAL: TRAY- PET
  2. THICKNESS: 0.80 mm MINIMUM
  3. THE BARCODE MUST BE 3 OF 9 BARCODE
  4. COMPONENTS LOAD PER THE TRAY: 117 PCS.
  5. THIS PRODUCT DOESN'T CONTAIN ENVIRONMENTAL HAZARDOUS MATERIALS PER DIRECTIVE 2011/65/EU FOR RoHS COMPLIANT
  6. TRAY SIZE : 333 X 265 X 15.6 mm

PACKAGING BY TRAY	9.4 G/W KG	6.0 N/W KG	117 PCS/ TRAY	20 TRAYS/ BOX	2340 QUANTITY (PCS)	GSB4111XXXHR PART NUMBER
-------------------	------------	------------	---------------	---------------	---------------------	--------------------------

TOLERANCE	APPROVALS	DATE	TITLE		PART No.		
X. ±0.30	DRAWN Debby Hung	2021-07-08	USB 3.1 CONNECTOR STANDARD A R/A DIP TYPE		<b>Amphenol</b> <sup>®</sup> Amphenol Corporation Amphenol Taiwan Corporation		
X.X ±0.20	CHECKED Sandy Wu	2021-07-08					
X.XXX ±0.10	APPROVED Roger Tsai	2021-07-08					
ANGULAR ±1'	DWG TYPE CUST DWG	PROJECT CODE OTHER	UNIT mm	SCALE NA	SIZE A3	SHEET 2 OF 2	REV.
UNLESS OTHERWISE SPECIFIED					GSB4111XXXHR		