



# Product Change Notification



Product Group: SIL/Mon Jun 21, 2021/PCN-SIL-019-2021-REV-0

## Commercial Power MOSFET Manufacturing Capacity Expansion

**DESCRIPTION OF CHANGE:** To meet increasing demand for Power MOSFET products, Vishay Siliconix has expanded assembly and test capacity on commercial Low Voltage Power MOSFETs in Vishay's TO247AC package.

ASE has been a leading backend manufacturing company since 2003; The Weihai facility has provided world-class total manufacturing services for discrete MOSFETs since 2008. Vishay Siliconix has been a partner with the ASE Weihai facility since 2013. This qualification now adds TO-247AC to other Vishay Siliconix commercial Power MOSFET packages supplied by ASE. The manufacturing process to be used in ASE is similar to that used in the Vishay Xi'an and GEM Hefei facilities from which this package is currently manufactured.

ASE has received international quality systems and environmental compliance certifications including TS16949, ISO9001, ISO14001 and OSHAS 18001.

**REASON FOR CHANGE:** Manufacturing capacity expansion

**EXPECTED INFLUENCE ON QUALITY/RELIABILITY/PERFORMANCE:** There will be no affect on the quality, reliability, or performance. There will be no changes in minimum and maximum values on the data sheets. The finished good appearance and outline dimension variance are shown in annex.

**PART NUMBERS/SERIES/FAMILIES AFFECTED:** SUG80050E-GE3, SUG90090E-GE3,

**VISHAY BRAND(s):** Vishay Siliconix

**TIME SCHEDULE:**

Start Shipment Date: Mon Sep 20, 2021

**SAMPLE AVAILABILITY:** Please contact your regional Vishay Sales office for sample availability

**PRODUCT IDENTIFICATION:** Products manufactured at ASE will be identified by a "N" in the first position of the date code marked on the 2nd line of the part

**QUALIFICATION DATA:** Qualification results are available upon request

**This PCN is considered approved, without further notification, unless we receive specific customer concerns before Mon Sep 20, 2021 or as specified by contract.**

**ISSUED BY:** Michael Hsieh, Michael.Hsieh@vishay.com

**For further information, please contact your regional Vishay office.**

**CONTACT INFORMATION:**

Vishay Intertechnology, Inc.

Corporate Headquarters 63 Lincoln Highway, Malvern, PA 19355-2143 U.S.A. Phone (610) 644-1300 Fax (610) 296-0657 [www.vishay.com](http://www.vishay.com)

ONE OF THE WORLD'S LARGEST MANUFACTURERS OF DISCRETE SEMICONDUCTORS AND PASSIVE COMPONENT



# Product Change Notification



Product Group: SIL/Mon Jun 21, 2021/PCN-SIL-019-2021-REV-0

## Americas

Vishay Siliconix  
2585 Junction Avenue  
San Jose CA United States 95134  
Phone: +1-408-988-8000  
Fax: +1-408-567-8942

## Europe

Vishay Electronic GmbH  
Dr.-Felix-Zandman-Platz 1  
Selb Germany D-95100  
Phone: +49-9287-710  
Fax: +49-9287-70435

## Asia

Vishay Intertechnology Asia Pte. Ltd  
25 Tampiness Street 92  
#02-00 Keppel Building  
Singapore Singapore 528877  
Phone: +65-6788-6668  
Fax: +65-6788-0988

Vishay Intertechnology, Inc.

Corporate Headquarters 63 Lincoln Highway, Malvern, PA 19355-2143 U.S.A. Phone (610) 644-1300 Fax (610) 296-0657 [www.vishay.com](http://www.vishay.com)

ONE OF THE WORLD'S LARGEST MANUFACTURERS OF DISCRETE SEMICONDUCTORS AND PASSIVE COMPONENT



# Product Change Notification



Product Group: Vishay Siliconix/June 21<sup>st</sup>, 2021/PCN-SIL-0192021 Rev0

## Commercial Power MOSFET Manufacturing Capacity Expansion

**DESCRIPTION OF CHANGE:** To meet increasing demand for Power MOSFET products, Vishay Siliconix has expanded assembly and test capacity on commercial Low Voltage Power MOSFETs in Vishay's TO247AC package.

ASE has been a leading backend manufacturing company since 2003; The Weihai facility has provided world-class total manufacturing services for discrete MOSFETs since 2008. Vishay Siliconix has been a partner with the ASE Weihai facility since 2013. This qualification now adds TO-247AC to other Vishay Siliconix commercial Power MOSFET packages supplied by ASE. The manufacturing process to be used in ASE is similar to that used in the Vishay Xi'an and GEM Hefei facilities from which this package is currently manufactured.

ASE has received international quality systems and environmental compliance certifications including TS16949, ISO9001, ISO14001 and OSHAS 18001.

**CLASSIFICATION of CHANGE:** Assembly Site

**REASON FOR CHANGE:** Manufacturing capacity expansion

**EXPECTED INFLUENCE ON QUALITY/RELIABILITY/PERFORMANCE:** There will be no affect on the quality, reliability, or performance. There will be no changes in minimum and maximum values on the data sheets. The finished good appearance and outline dimension variance are shown in annex.

**PRODUCT CATAGORY:** Commercial Low Voltage Power MOSFETs

**PART NUMBERS/SERIES/FAMILIES AFFECTED:** SUG80050E-GE3 and SUG90090E-GE3

**VISHAY BRAND(s):** Vishay Siliconix

**TIME SCHEDULE:** Shipments of TO-247AC products manufactured at ASE will begin in September 2021

**SAMPLE AVAILABILITY:** Please contact your regional Vishay Sales office for sample availability

**QUALIFICATION DATA:** Qualification results are available upon request

**PRODUCT IDENTIFICATION:** Products manufactured at ASE will be identified by a "N" in the first position of the date code marked on the 2<sup>nd</sup> line of the part

**This PCN is considered approved, without further notification, unless we receive specific customer concerns before September 20<sup>th</sup>, 2021 or as specified by contract.**

**ISSUED BY:** Michael Hsieh, Vishay Siliconix, Product Marketing Manager  
E-mail address: [michael.hsieh@vishay.com](mailto:michael.hsieh@vishay.com)

**For further information, please contact your regional Vishay office.**

**The Americas**  
Vishay Siliconix  
2585 Junction Avenue  
San Jose, CA 95134  
USA  
T: 408-988-8000  
F: 408-567-8942

**Europe**  
Vishay Electronic GmbH  
Dr.-Felix-Zandman-Platz 1  
D-95100  
Selb, Germany  
T: 49-9287-710  
F: 49-9287-70435

**Asia**  
Vishay Intertechnology Asia Pte. Ltd  
25 Tampiness Street 92  
#02-00 Keppel Building  
Singapore 528877  
T: 65-6788-6668  
F: 65-6788-0988

Vishay Intertechnology, Inc.

Corporate Headquarters 63 Lincoln Highway, Malvern, PA 19355-2143 U.S.A. Phone (610) 644-1300 Fax (610) 296-0657 [www.vishay.com](http://www.vishay.com)  
ONE OF THE WORLD'S LARGEST MANUFACTURERS OF DISCRETE SEMICONDUCTORS AND PASSIVE COMPONENT

1/3



# Product Change Notification

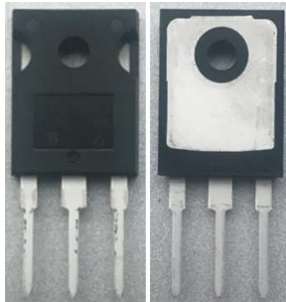


Product Group: Vishay Siliconix/June 21<sup>st</sup>, 2021/PCN-SIL-0192021 Rev0

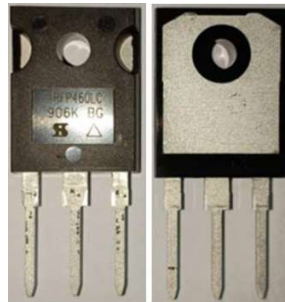
## ANNEX

### TO-247AC Outline

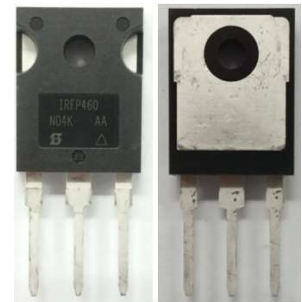
XI'AN



GEM HF



ASE WH



### Outline Drawing Comparison

TO247AC Symbol	JEDEC		XI'AN		GEM HF		ASE WH		Change (GEM vs. ASE)
	Min	Max	Min	Max	Min	Max	Min	Max	
A	4.65	5.31	4.65	5.31	4.83	5.21	4.65	5.31	-0.18 / +0.10
A1	2.21	2.59	2.21	2.59	2.29	2.55	2.21	2.59	-0.08 / +0.04
A2	1.50	2.49	1.17	2.49	1.50	2.49	1.17	1.37	-0.33 / -1.12
b	0.99	1.40	0.99	1.40	1.12	1.33	0.99	1.40	-0.13 / +0.07
b1	0.99	1.35	0.99	1.35	1.12	1.28	0.99	1.35	-0.13 / +0.07
b2	1.65	2.39	1.53	2.39	1.91	2.39	1.65	2.39	-0.26 / +0.00
b3	1.65	2.34	1.65	2.37	1.91	2.34	1.65	2.34	-0.26 / +0.00
b4	2.59	3.43	2.42	3.43	2.87	3.22	2.59	3.43	-0.28 / +0.21
b5	2.59	3.38	2.59	3.38	2.87	3.18	2.59	3.38	-0.28 / +0.20
c	0.38	0.89	0.38	0.86	0.55	0.69	0.38	0.89	-0.17 / +0.20
c1	0.38	0.84	0.38	0.76	0.55	0.65	0.38	0.84	-0.17 / +0.19
D	19.71	20.70	19.71	20.82	20.40	20.70	19.71	20.70	-0.69 / +0.00
D1	13.08	-	13.08	-	16.25	16.85	13.08	-	-3.17 / none
D2	0.51	1.35	0.51	1.30	0.56	0.76	0.51	1.35	-0.05 / +0.59
E	15.29	15.88	15.29	15.87	15.50	15.87	15.29	15.87	-0.21 / +0.00
E1	13.46	-	13.72	-	13.46	14.16	13.46	-	+0.00 / none
e	5.46		5.46 BSC		5.44 BSC		5.46 BSC		None
Ø K	0.25		0.254		-		0.254		None
L	14.20	16.10	14.20	16.25	14.90	15.40	14.20	16.10	-0.70 / +0.70
L1	3.71	4.29	3.71	4.29	3.96	4.16	3.71	4.29	-0.25 / +0.13
N	-		-		-		7.62 BSC		None
Ø P	3.56	3.66	3.51	3.66	3.56	3.65	3.56	3.66	+0.00 / +0.01
Ø P1	-	7.39	-	7.39	-	7.19	-	7.39	none / +0.20
Q	5.69	5.82	5.31	5.69	5.31	5.69	5.31	5.69	None
R	4.52	5.49	4.52	5.49	4.52	5.49	4.52	5.49	None
S	5.51		5.51 BSC		5.54	5.74	5.51 BSC		None

Vishay Intertechnology, Inc.

Corporate Headquarters 63 Lincoln Highway, Malvern, PA 19355-2143 U.S.A. Phone (610) 644-1300 Fax (610) 296-0657 [www.vishay.com](http://www.vishay.com)  
 ONE OF THE WORLD'S LARGEST MANUFACTURERS OF DISCRETE SEMICONDUCTORS AND PASSIVE COMPONENT

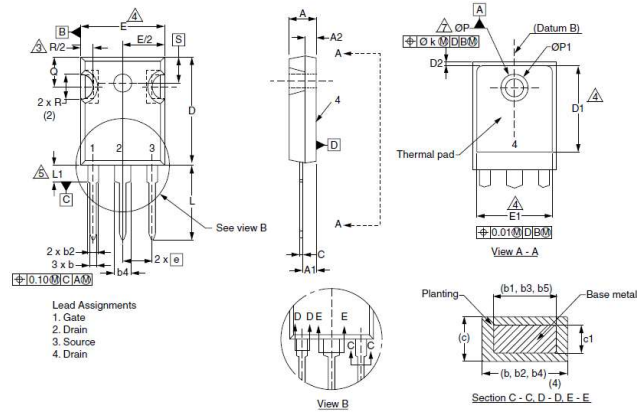


# Product Change Notification

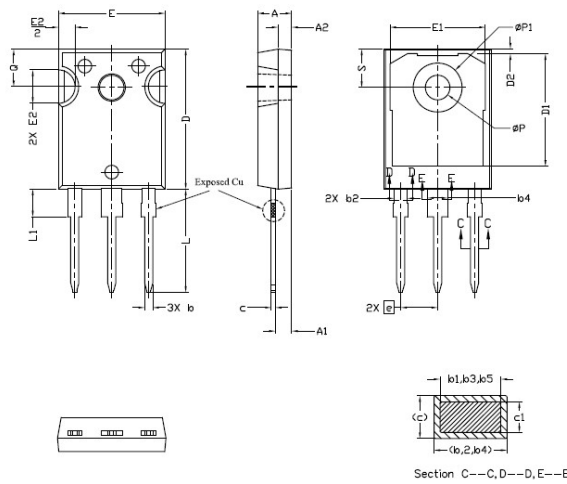


Product Group: Vishay Siliconix/June 21<sup>st</sup>, 2021/PCN-SIL-0192021 Rev0

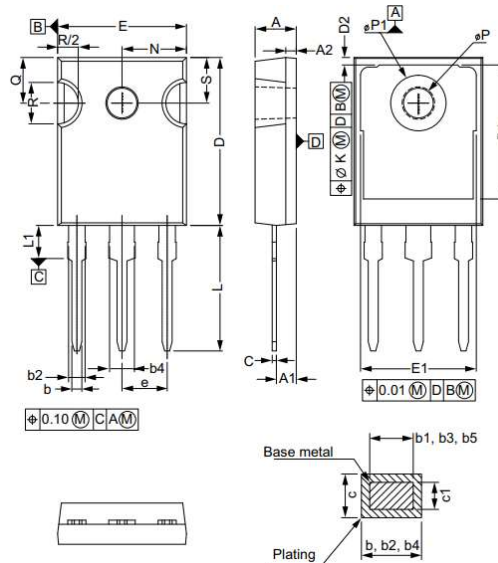
## XI'AN



## GEM HF



## ASE WH



Vishay Intertechnology, Inc.

Corporate Headquarters 63 Lincoln Highway, Malvern, PA 19355-2143 U.S.A. Phone (610) 644-1300 Fax (610) 296-0657 [www.vishay.com](http://www.vishay.com)  
 ONE OF THE WORLD'S LARGEST MANUFACTURERS OF DISCRETE SEMICONDUCTORS AND PASSIVE COMPONENT